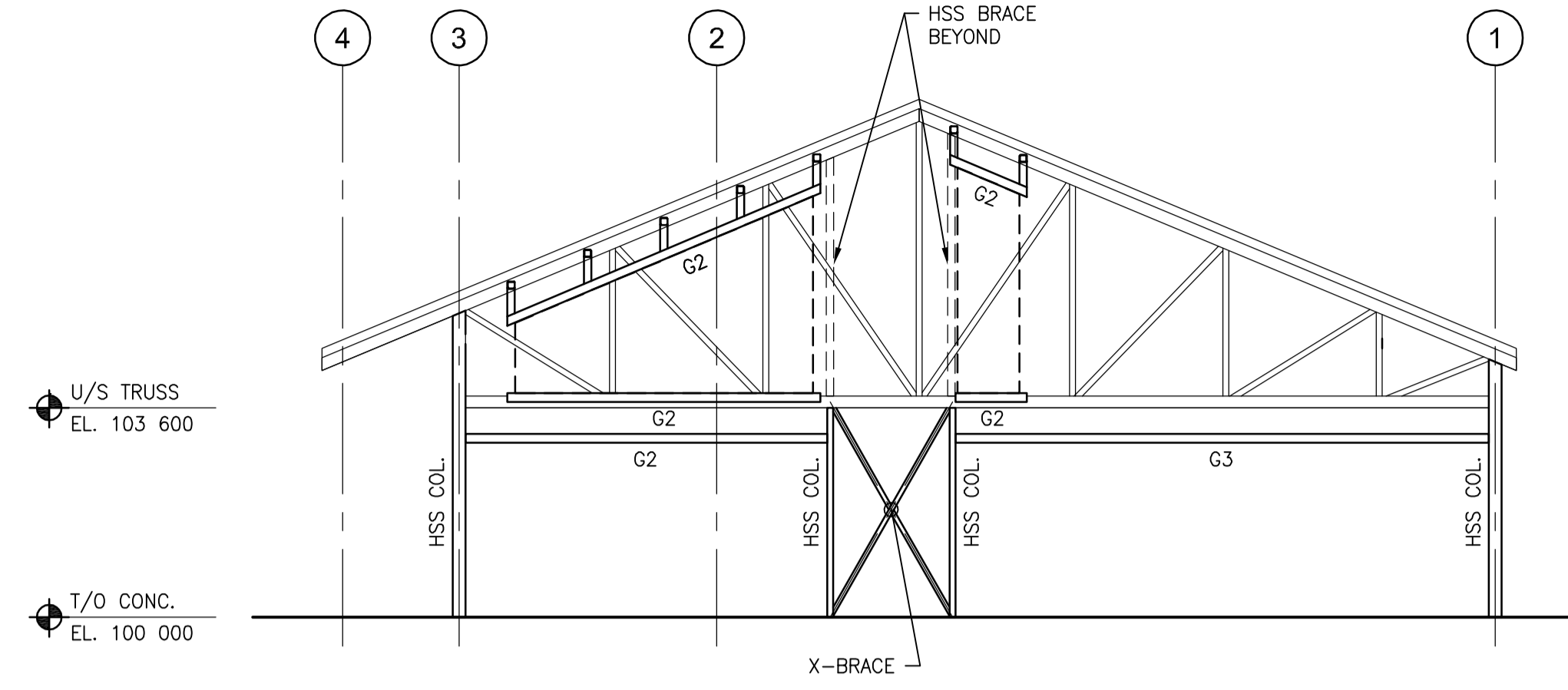
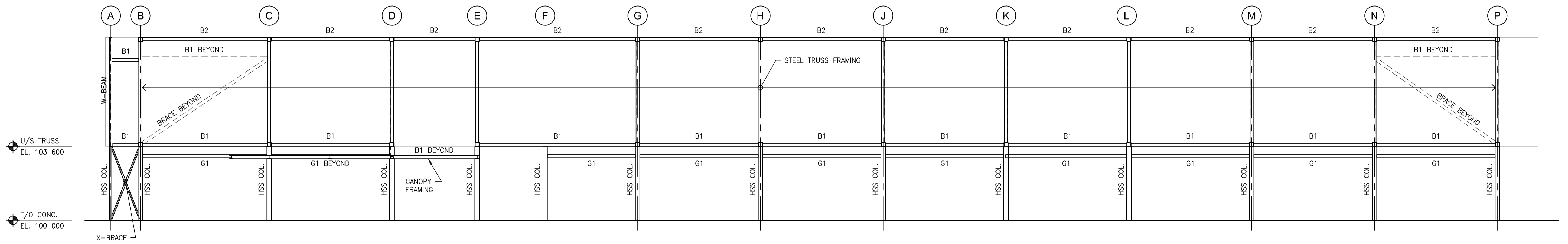


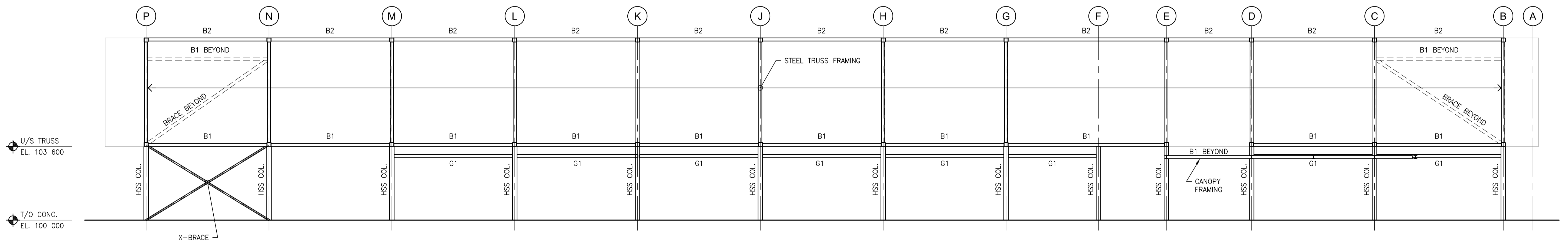
**1 FRAMING ELEVATION**  
S4.1 SCALE: 1:100



**2 FRAMING ELEVATION**  
S4.1 SCALE: 1:100



**3 FRAMING ELEVATION**  
S4.1 SCALE: 1:100



**4 FRAMING ELEVATION**  
S4.1 SCALE: 1:100

TOWER PROJECT NO. : 181335  
**TOWER ENGINEERING GROUP**  
 UNIT 1-1140 WAVERLEY ST. WINNIPEG, MB R3T 0P4  
 TEL: (204) 925-1150 FAX: (204) 925-1155  
 EMAIL: towereng@towereng.ca WEB: www.towereng.ca  
 • WINNIPEG • CALGARY

No.	Date	Issue / Revision	By
4.	2019-07-08	Issued for Construction	LHT
4.	2019-06-26	Issued for 100% Pre-Tender Review	LHT
3.	2019-05-13	Issued for Pre-Tender Review	LHT
2.	2019-02-22	Design Development	LHT
1.	2018-12-17	Schematic Design Review	LHT

Drawn By: BKF  
 Printing Date:

**APEGM**  
 Certificate of Authorization  
 Tower Engineering Group  
 No. 4156 Expiry: April 30, 2020



**LM** LM Architectural Group  
 500-136 Market Ave  
 Winnipeg, Manitoba  
 Canada R3B 0P4  
 t: (204) 942.0681  
 f: (204) 943.8676  
 www.lm-architects.com

Drawings and specifications, as instruments of service are the property of the architects, the copyright in the same being reserved to them. No reproduction may be made without the permission of the architects, and when made, must bear their names. All prints to be returned.  
 The contractor is to verify dimensions and data noted herein with conditions on the site and is held responsible for reporting any discrepancy to the architects for adjustment.

**Bill and Helen Norrie Library**  
 Project No.: 2017-082  
 Tender No.: 542-2019  
 Address: 15 Poseidon Bay, Winnipeg, MB.

**FRAMING ELEVATIONS**