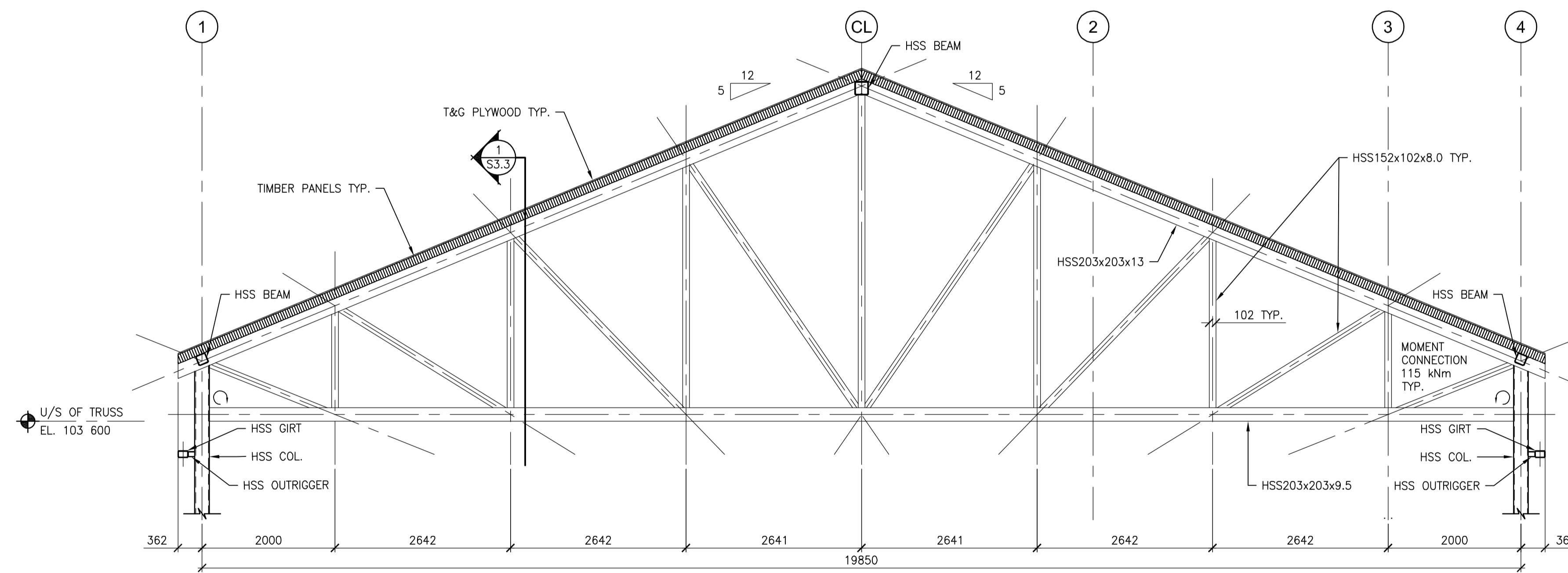


1 TRUSS FRAMING SECTION
S3.2 SCALE: 1:50



2 TRUSS FRAMING SECTION
S3.2 SCALE: 1:50

CONNECTION FORCES FOR TRUSSES		
MEMBER	TENSION (kN)	COMPRESSION (kN)
HSS203x203x13	260	500
HSS203x203x9.5	450	200
HSS152x102x8.0	400	275

NOTES:
 - HSS152x102 LONG LEG PERPENDICULAR TO SPAN OF TRUSS.
 - ALL TRUSS MEMBERS TO BE 350W-CLASS C.
 - CONNECTION BETWEEN WEB AND CHORDS TO BE WELDED WITH CLEAN FINISH.

TOWER PROJECT NO. : 181335
TOWER ENGINEERING GROUP
 UNIT 1-1140 WAVERLEY ST. WINNIPEG, MB R3T 0P4
 TEL: (204) 925-1150 FAX: (204) 925-1155
 EMAIL: towereng@towereng.ca WEB: www.towereng.ca
 • WINNIPEG • CALGARY

No.	Date	Issue / Revision	By
4.	2019-07-08	Issued for Construction	LHT
4.	2019-06-26	Issued for 100% Pre-Tender Review	LHT
3.	2019-05-13	Issued for Pre-Tender Review	LHT
2.	2019-02-22	Design Development	LHT
1.	2018-12-17	Schematic Design Review	LHT

Drawn By: BKF
 Printing Date:

LM Architectural Group
 500-136 Market Ave
 Winnipeg, Manitoba
 Canada R3B 0P4
 t: (204) 942.0681
 f: (204) 943.8676
 www.lm-architects.com

APEGM
 Certificate of Authorization
 Tower Engineering Group
 No. 4156 Expiry: April 30, 2020

PROFESSIONAL ENGINEER
 Member Since 2004
 2019-07-16

Drawings and specifications, as instruments of service are the property of the architects, the copyright in the same being reserved to them. No reproduction may be made without the permission of the architects, and when made, must bear their names. All prints to be returned.

The contractor is to verify dimensions and data noted herein with conditions on the site and is held responsible for reporting any discrepancy to the architects for adjustment.

Bill and Helen Norrie Library
 Project No.: 2017-082
 Tender No.: 542-2019
 Address: 15 Poseidon Bay, Winnipeg, MB.

Sections & Details

Comm. No.: 1847
 Sheet: **S3.2**