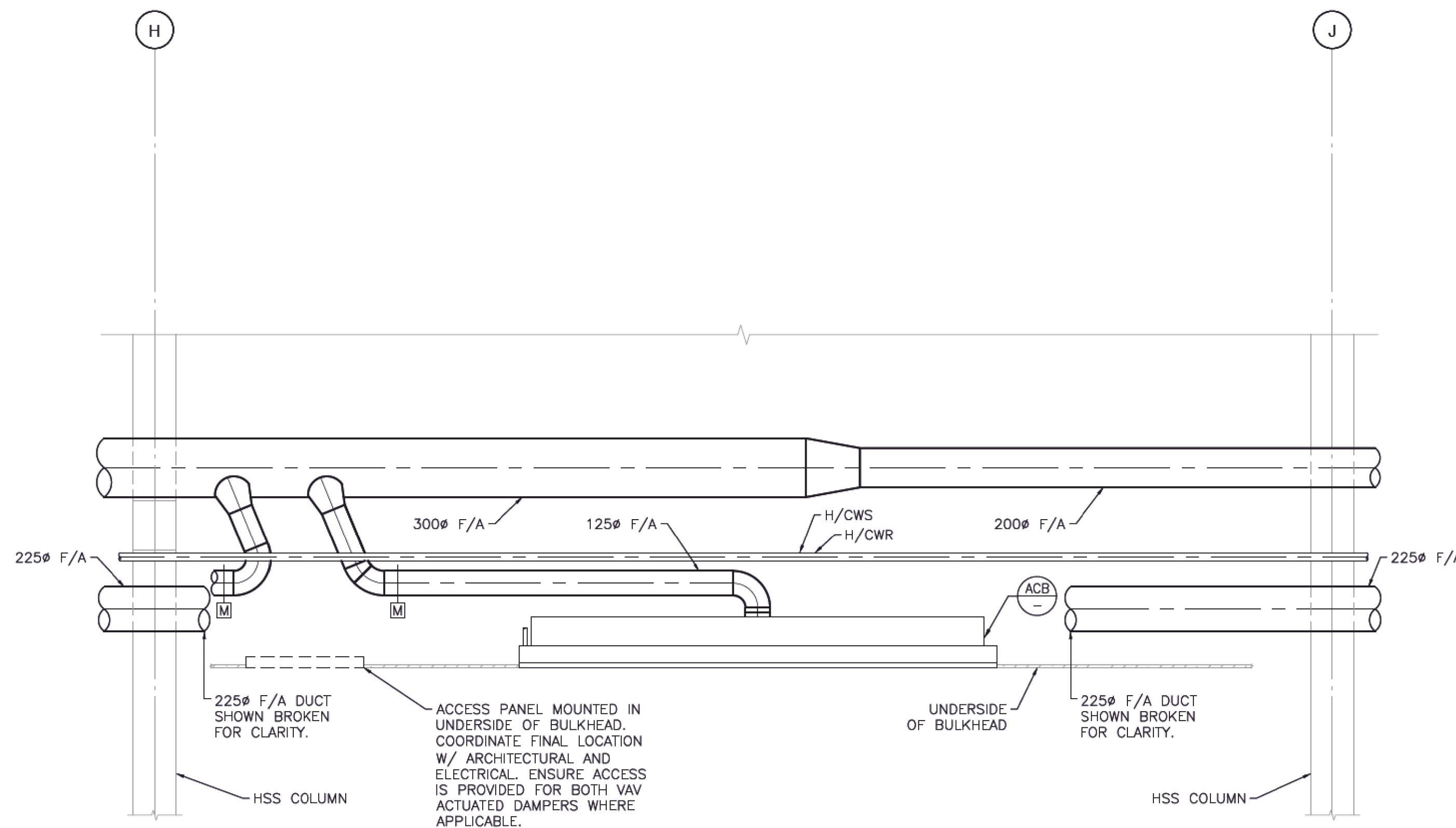
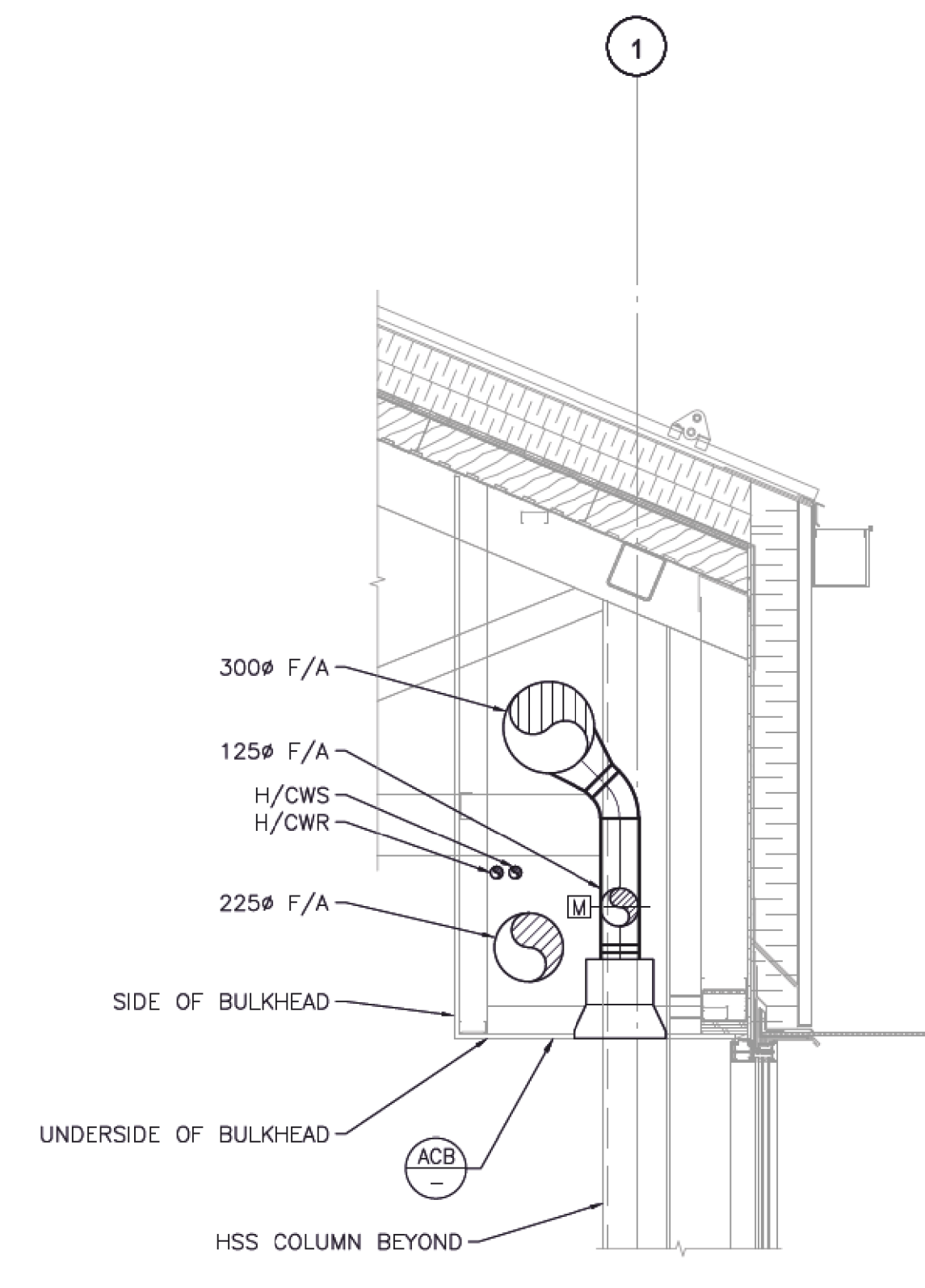


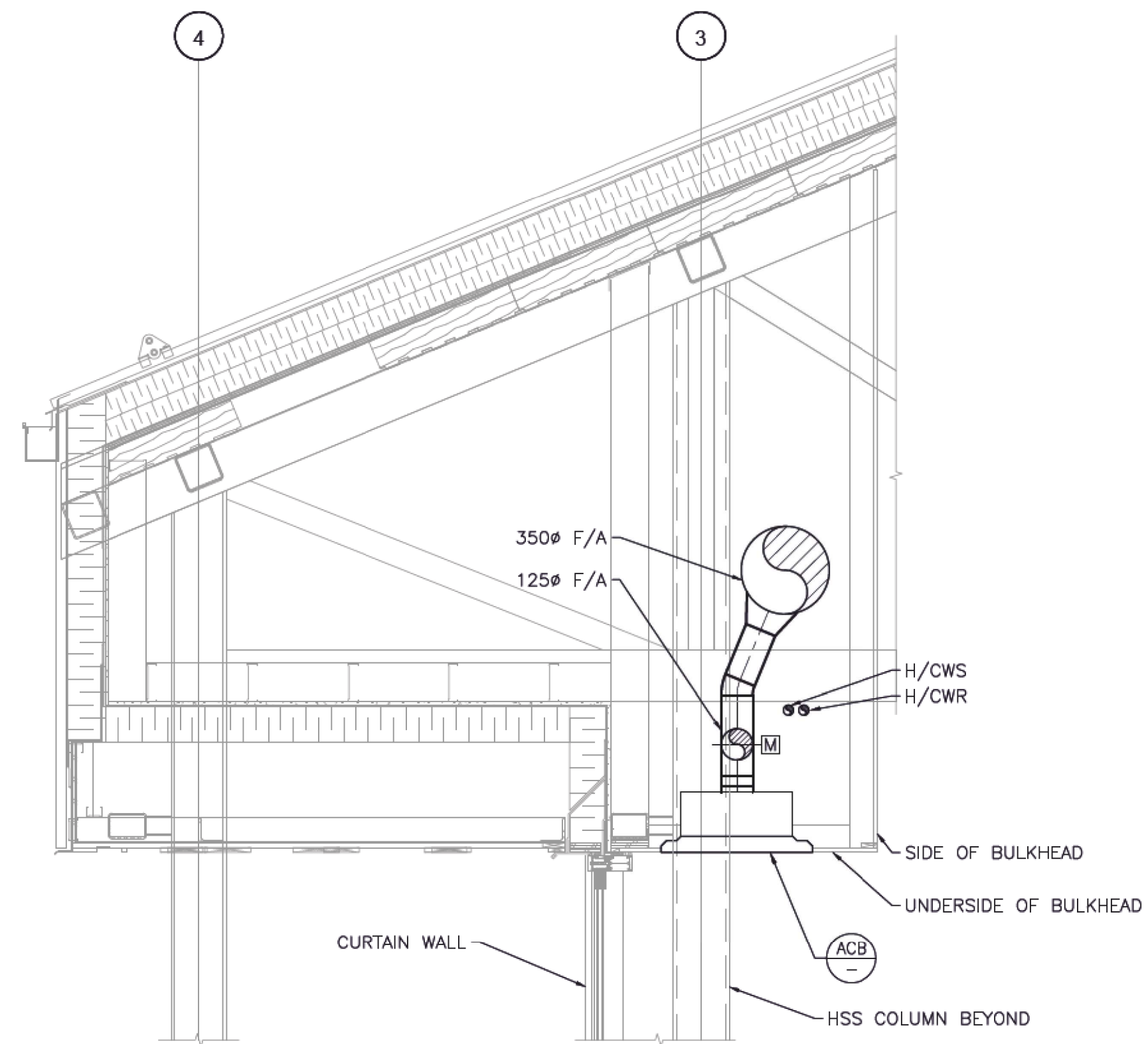
1 SECTION
M2.1 SCALE: 1:20



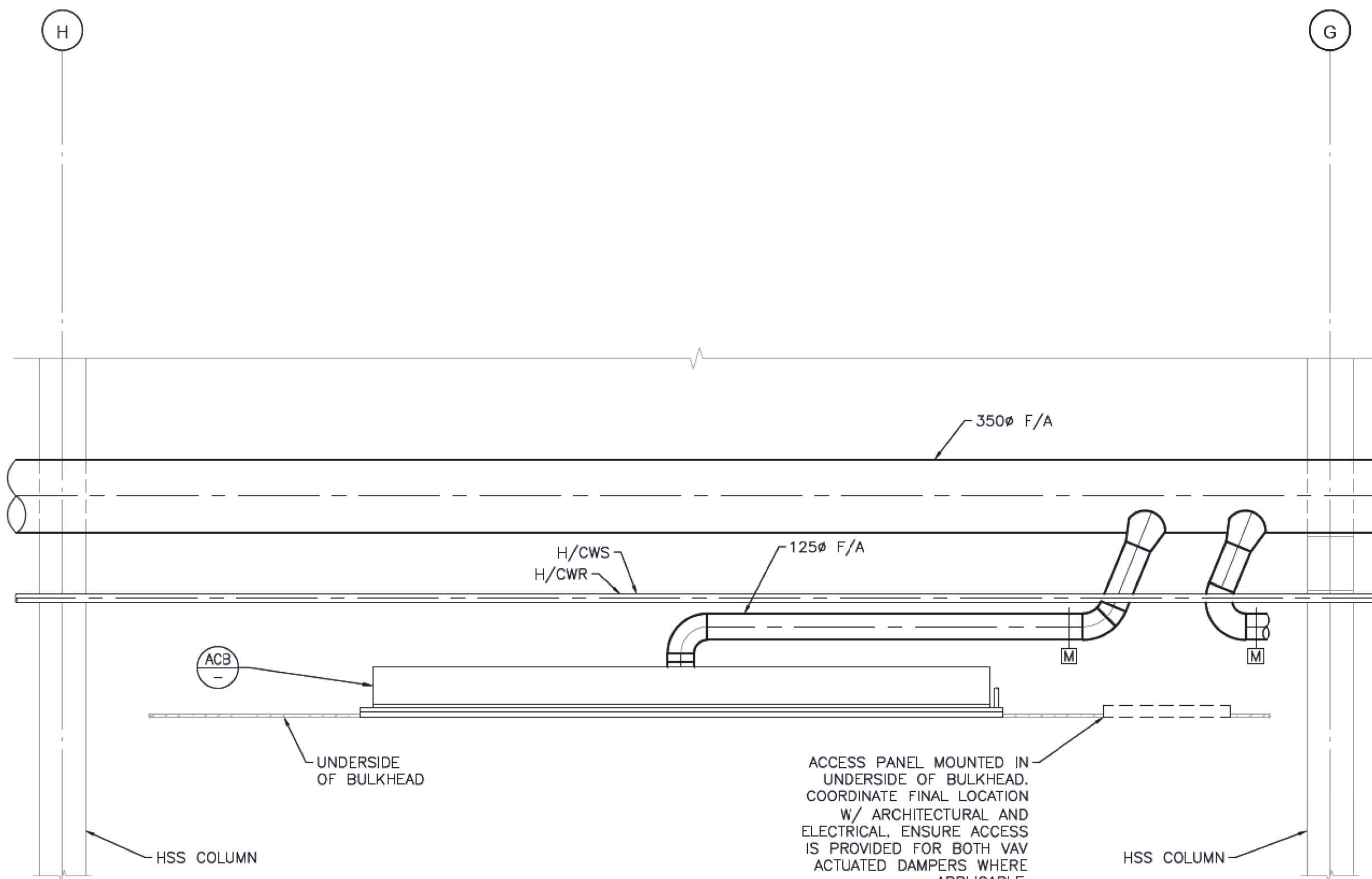
2 SECTION
M2.1 SCALE: 1:20



3 SECTION
M2.1 SCALE: 1:20



4 SECTION
M2.1 SCALE: 1:20



5 SECTION
M2.1 SCALE: 1:20

TOWER PROJECT NO.: 181335

TOWER ENGINEERING GROUP

UNIT 1-1140 WAVERLEY ST. WINNIPEG, MB R3T 0P4
TEL: (204) 925-1150 FAX: (204) 925-1155
EMAIL: towereng@towereng.ca WEB: www.towereng.ca
• WINNIPEG • CALGARY

These design documents are prepared solely for the use by the party with whom the design professional has entered into a contract and shall not be reproduced or used in any way without the express written permission of Tower Engineering Inc. In the event of any dispute, the contractor is responsible to verify all dimensions with conditions on the site and report discrepancies to Tower Engineering for adjustment. All parts to be retained.

1	July 08, 2019	Issued For Construction	JAC
No.	Date	Issue / Revision	By
Drawn By: JChimko			
Printing Date: July 16, 2019			

LM Architectural Group
www.lm-architects.com

500-136 Market Ave
Winnipeg, Manitoba
Canada R3B 0P4
t: (204) 942.0681
f: (204) 943.8676

APEGM
Certificate of Authorization
Tower Engineering Group
No. 4156 Expiry: April 30, 2020

PROVINCE DE MANITOBA
CHIMKO
Member
23356
REGISTERED PROFESSIONAL ENGINEER

Drawings and specifications, as instruments of service are the property of the architects, the copyright in the same being reserved to them. No reproduction may be made without the permission of the architects, and when made, must bear their names. All prints to be returned.

The contractor is to verify dimensions and data noted herein with conditions on the site and is held responsible for reporting any discrepancy to the architects for adjustment.

Bill and Helen Norrie Library

Project No.: 2017-082
Tender No.: 542-2019
Address: 15 Poseidon Bay, Winnipeg, MB.

Winnipeg

HVAC SECTIONS

Comm. No.: 1847
Sheet: **M2.3**

Printed on: 7/16/2019 10:52:16 AM
Drawing: 181335 - M2.3 - HVAC DETAILS & SECTIONS.dwg