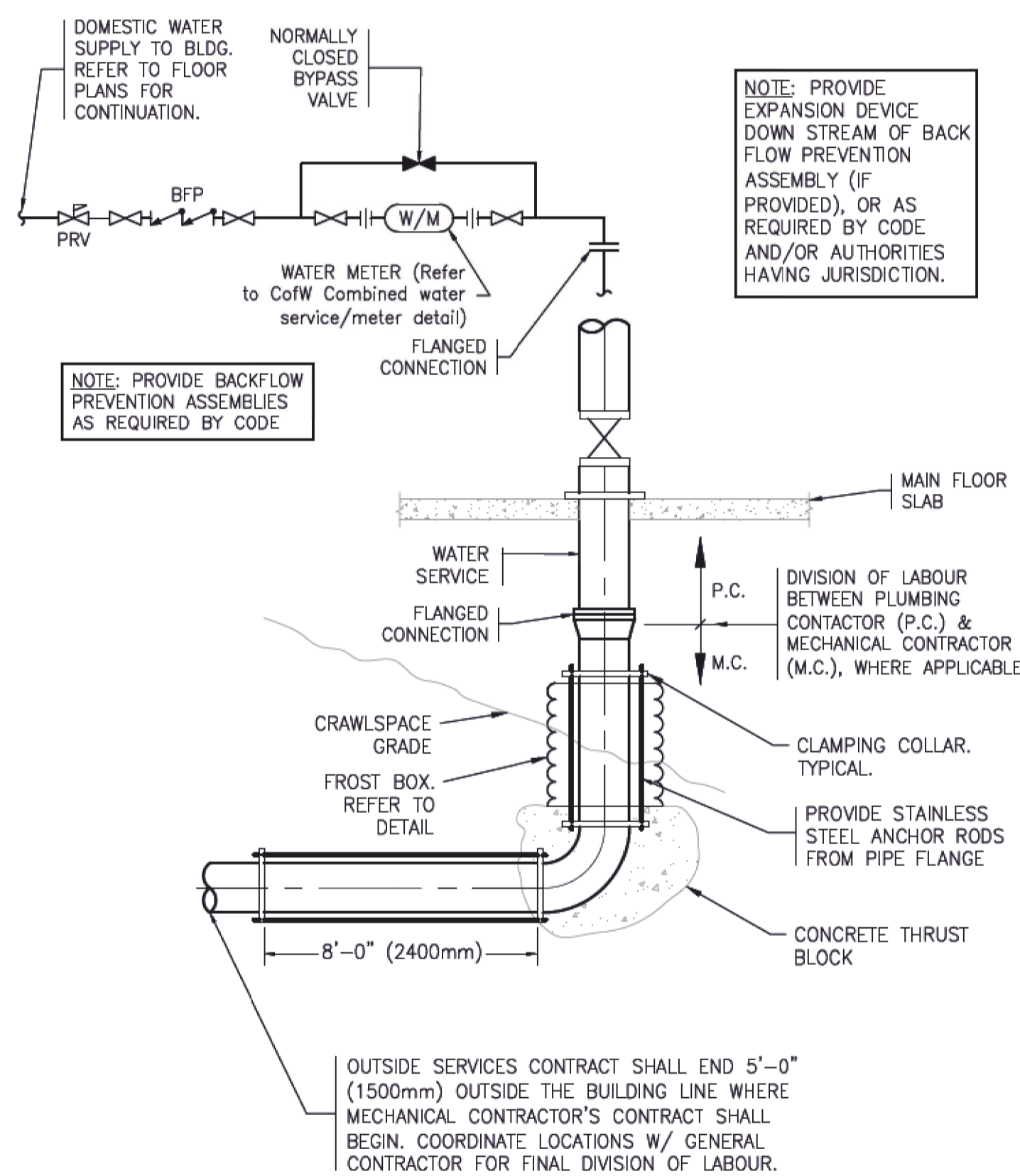
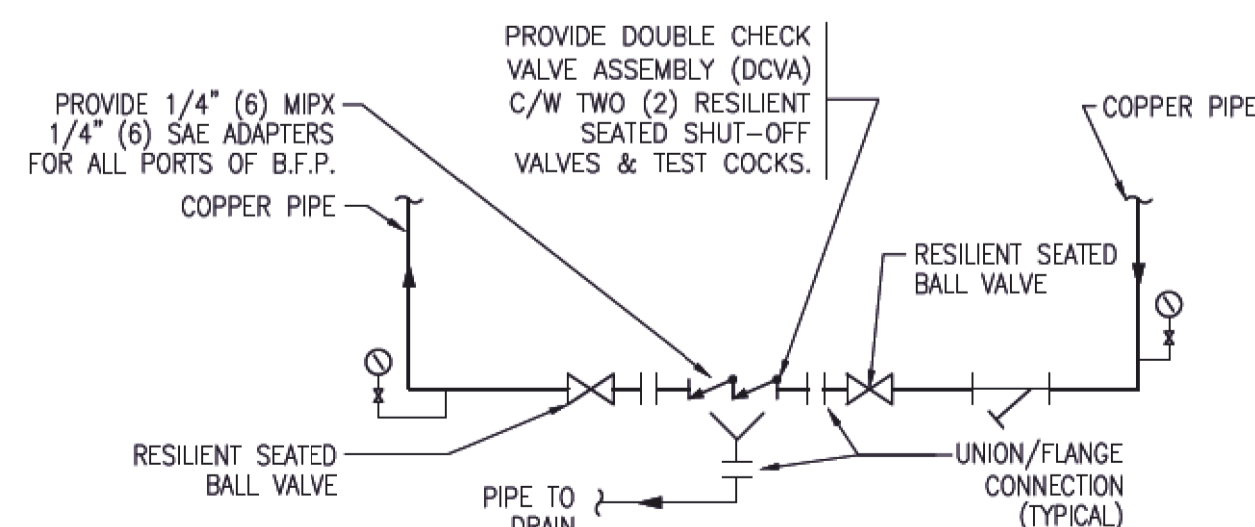


COMBINED WATER SERVICE FROST BOX DETAIL
SCALE: N.T.S.

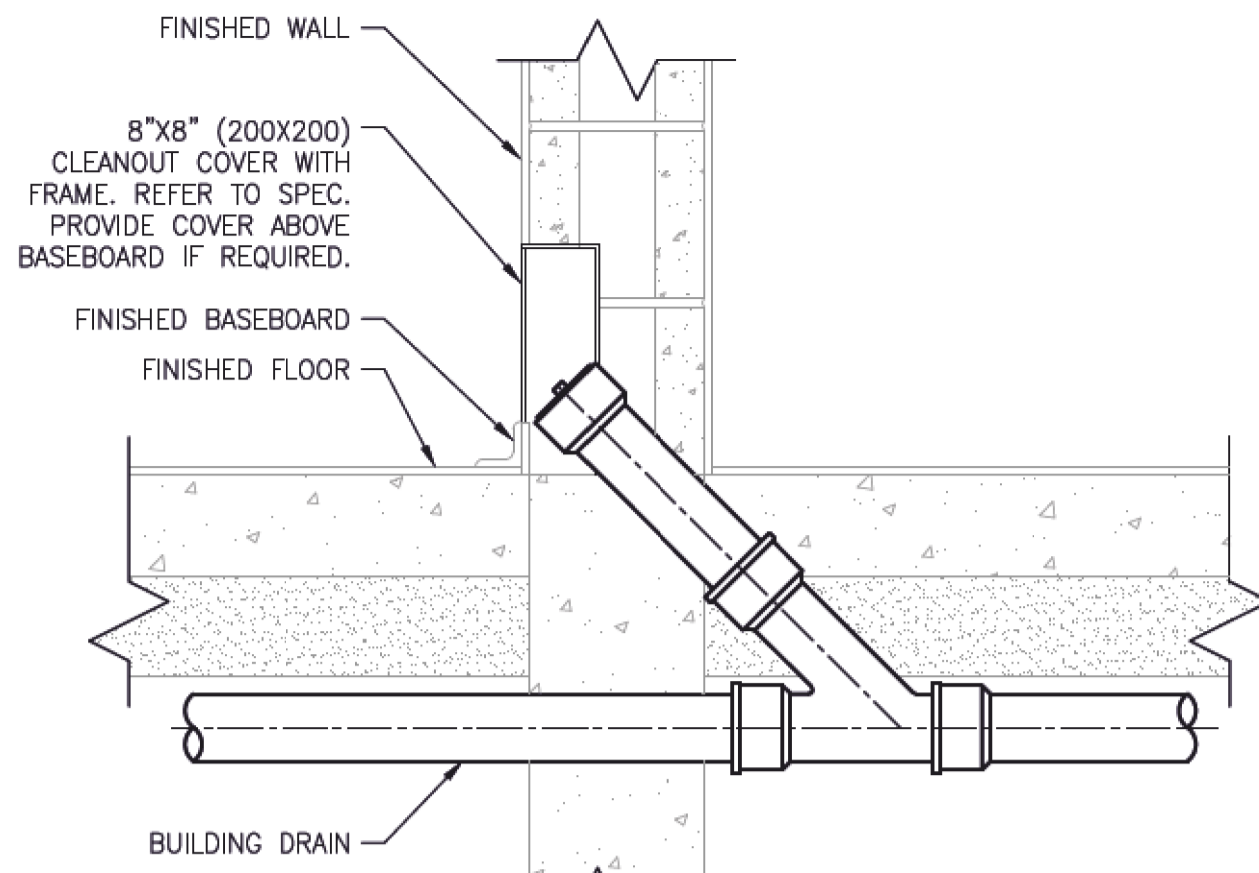


COMBINED WATER SERVICE DETAIL
SCALE: N.T.S.

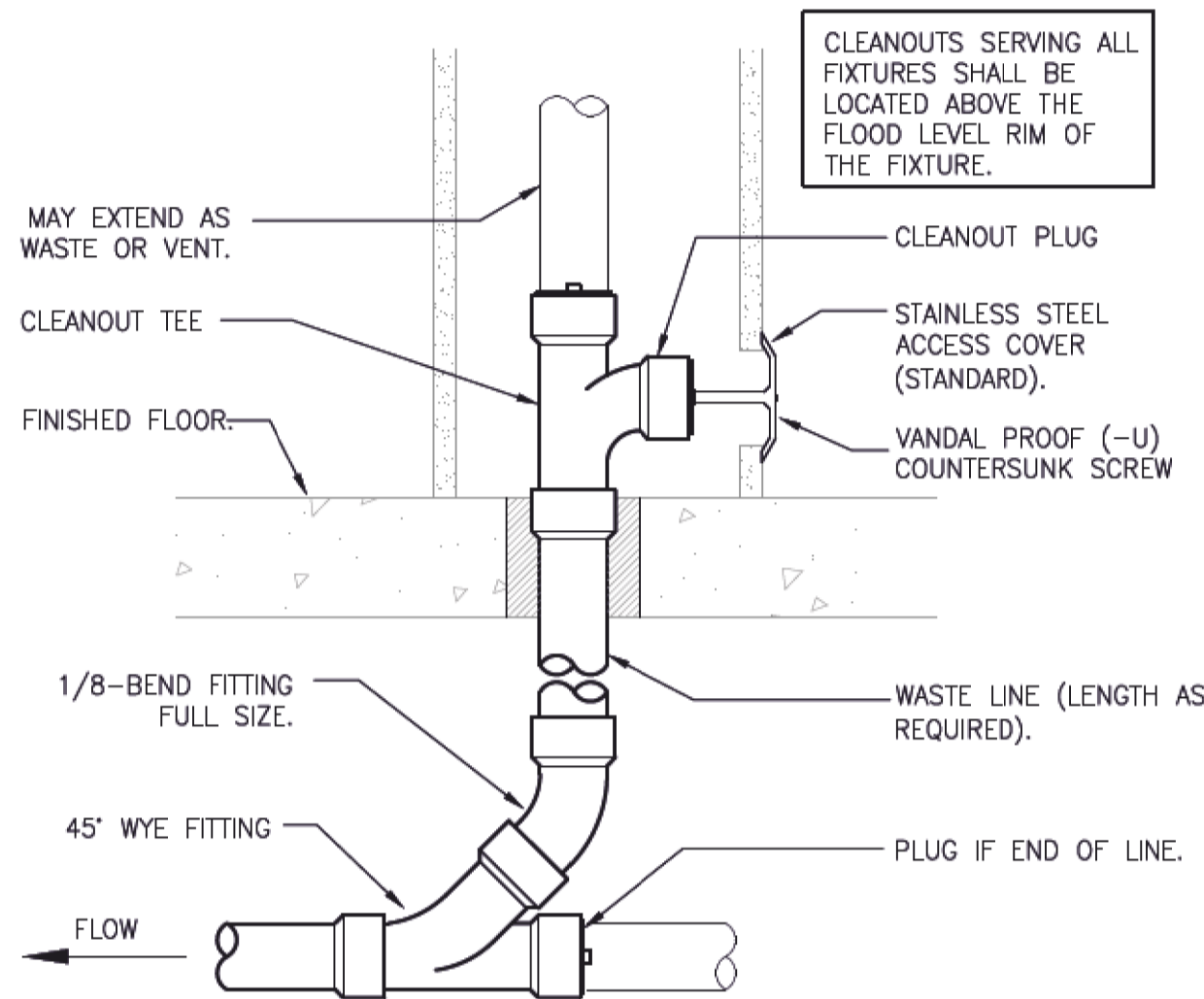
- NOTE: USE BRASS NIPPLES BETWEEN ALL FITTINGS.
- BACKFLOW INSTALLATIONS TO BE INSTALLED WITH MATERIALS, VALVE, GAUGES, ETC. AS FOR DUPLEX UNIT.
- BACKFLOW INSTALLATIONS TO BE INSTALLED WITH FLANGES ON INLET AND OUTLET (UNIONS NOT ACCEPTABLE).
- BFP SHALL BE INSTALLED BETWEEN 2'-6" (750) AND 5'-0" (1500) ABOVE FLOOR



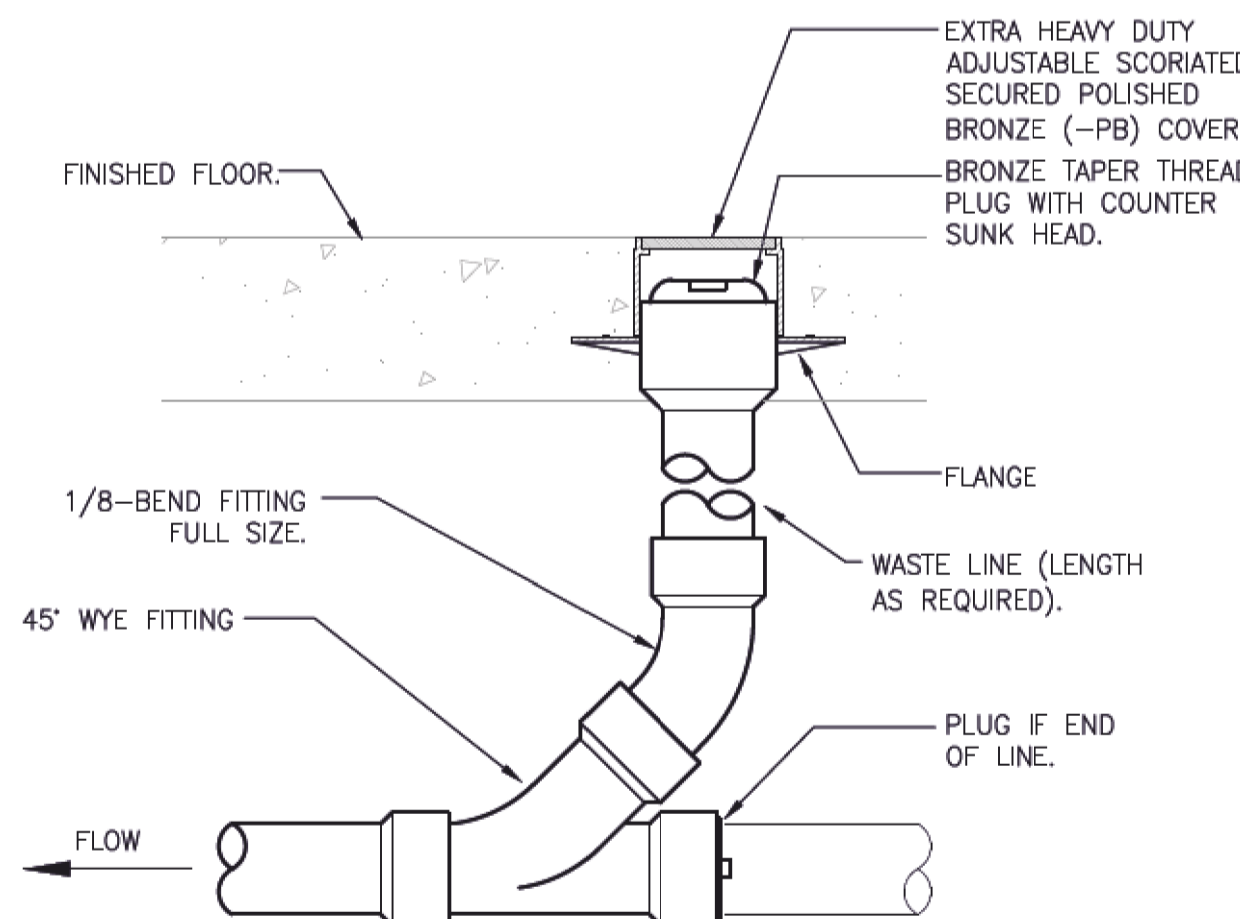
BACKFLOW PREVENTER INSTALLATION DETAIL
SCALE: N.T.S.



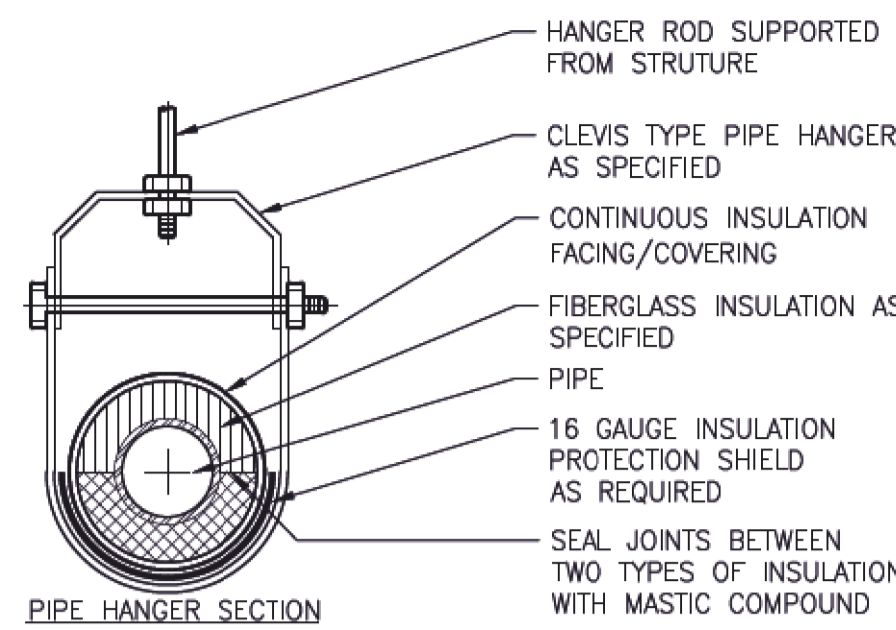
SANITARY DRAIN WALL CLEANOUT DETAIL
SCALE: N.T.S.



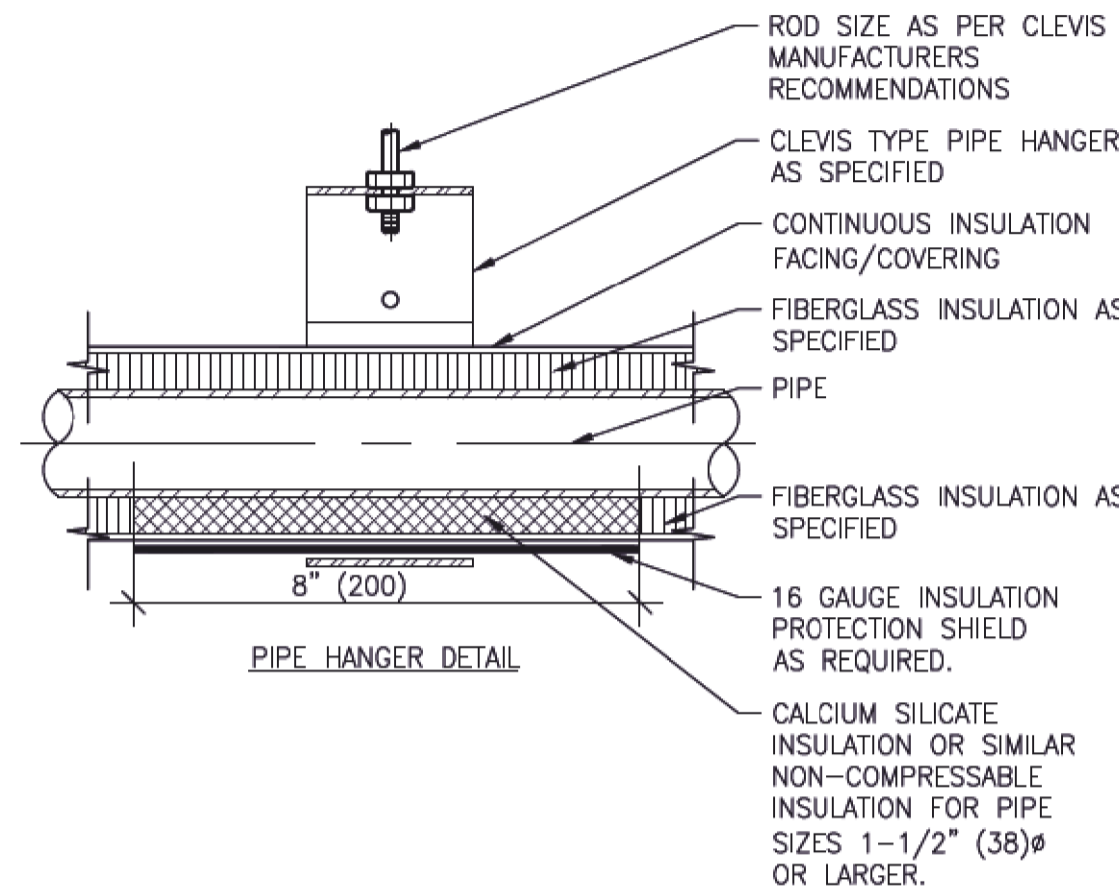
TYPICAL WALL CLEANOUT
SCALE: N.T.S.



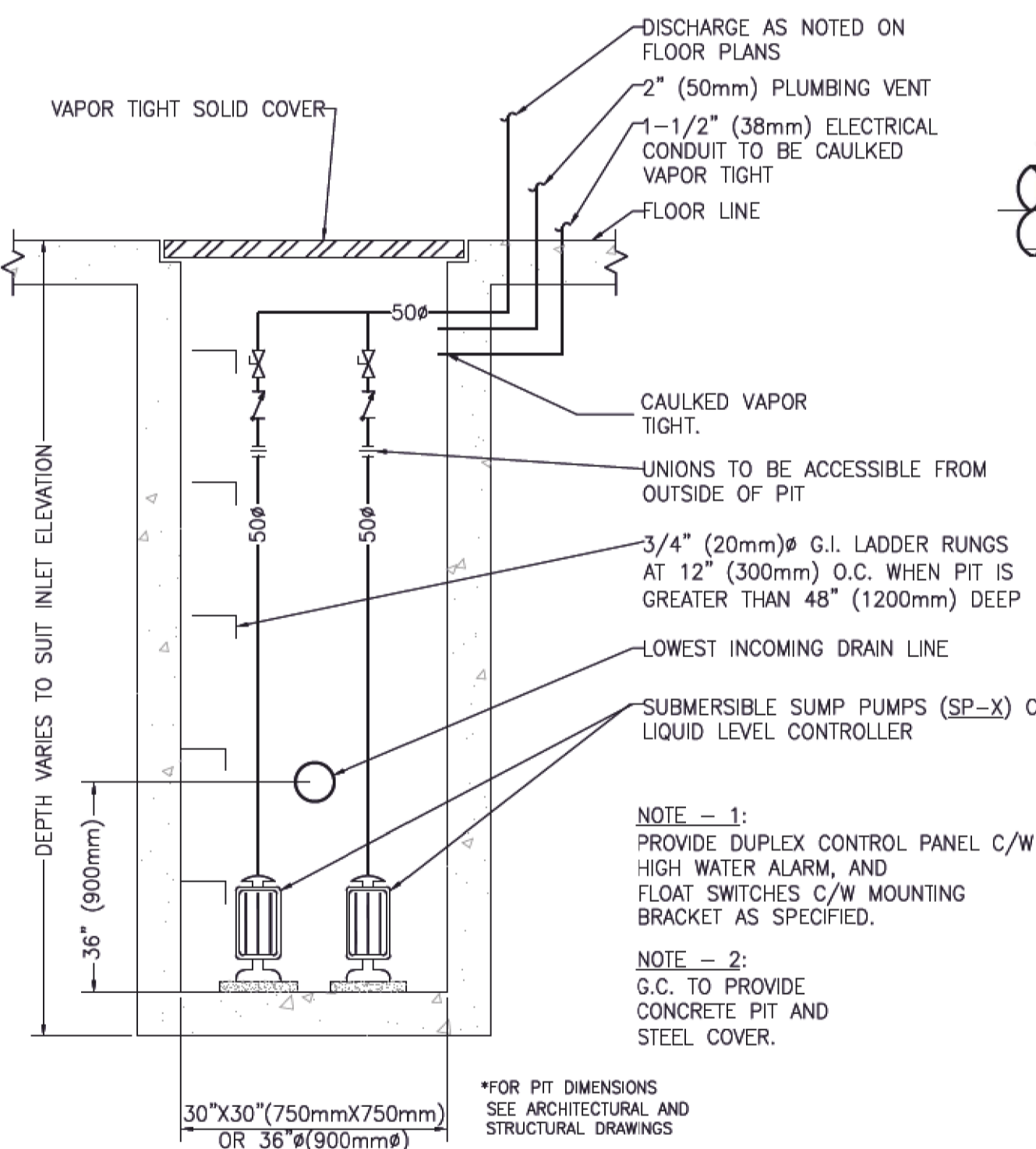
TYPICAL FLOOR CLEANOUT
SCALE: N.T.S.



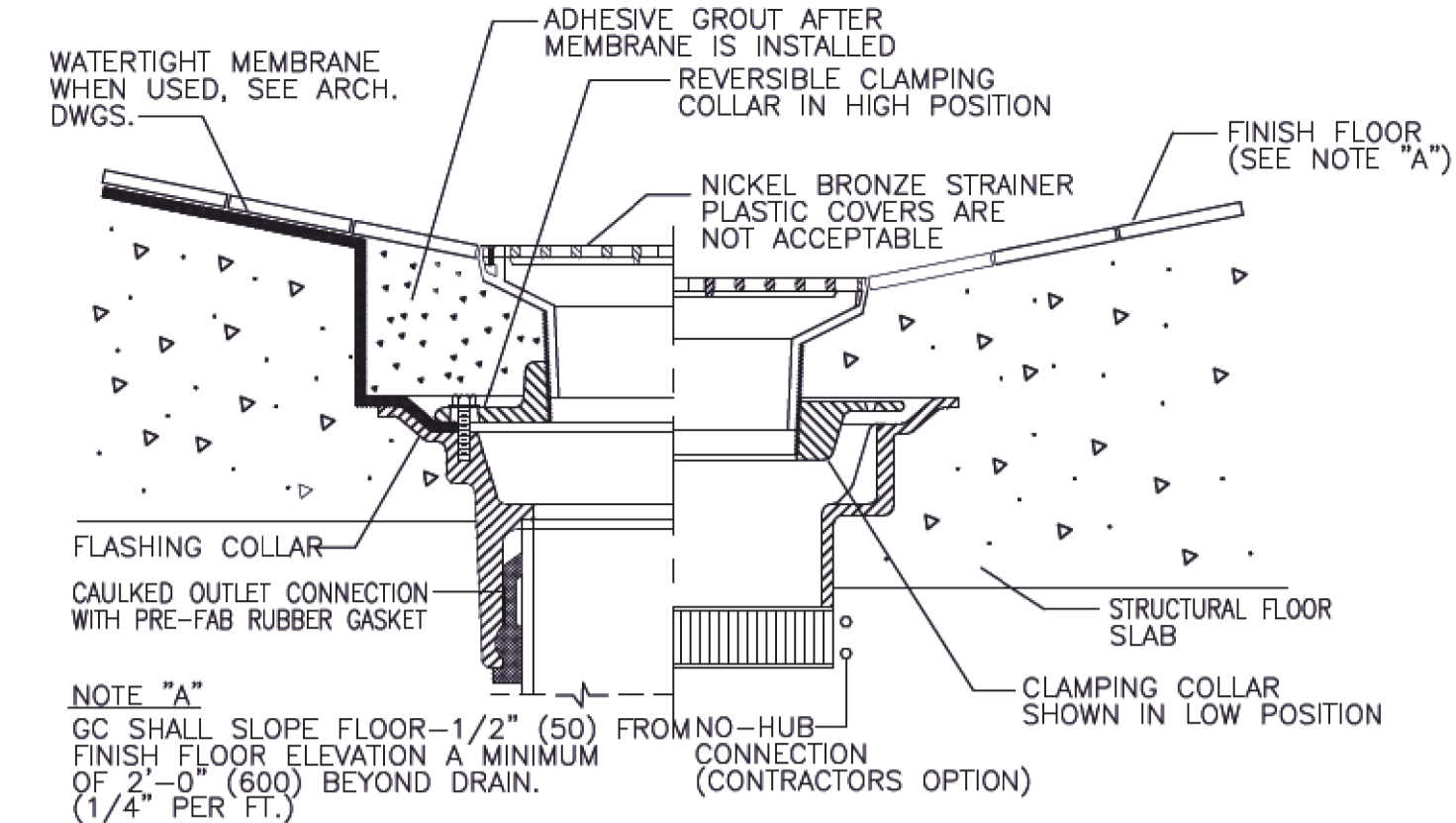
PIPE HANGER SECTION



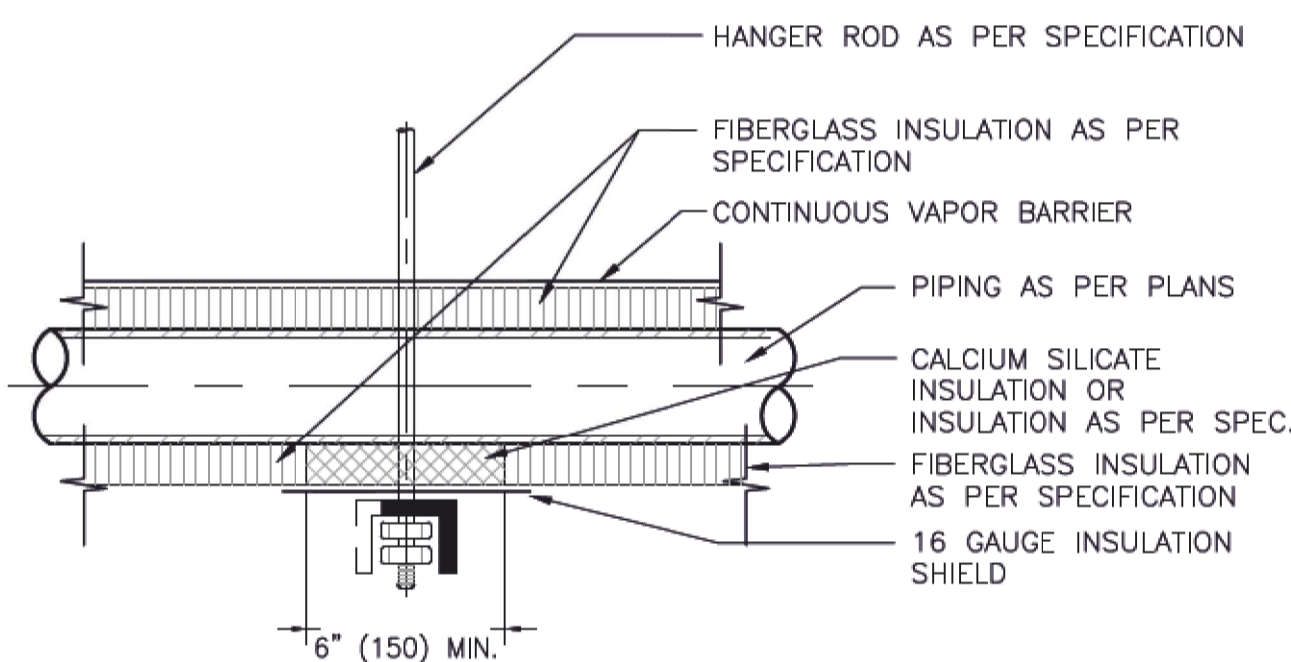
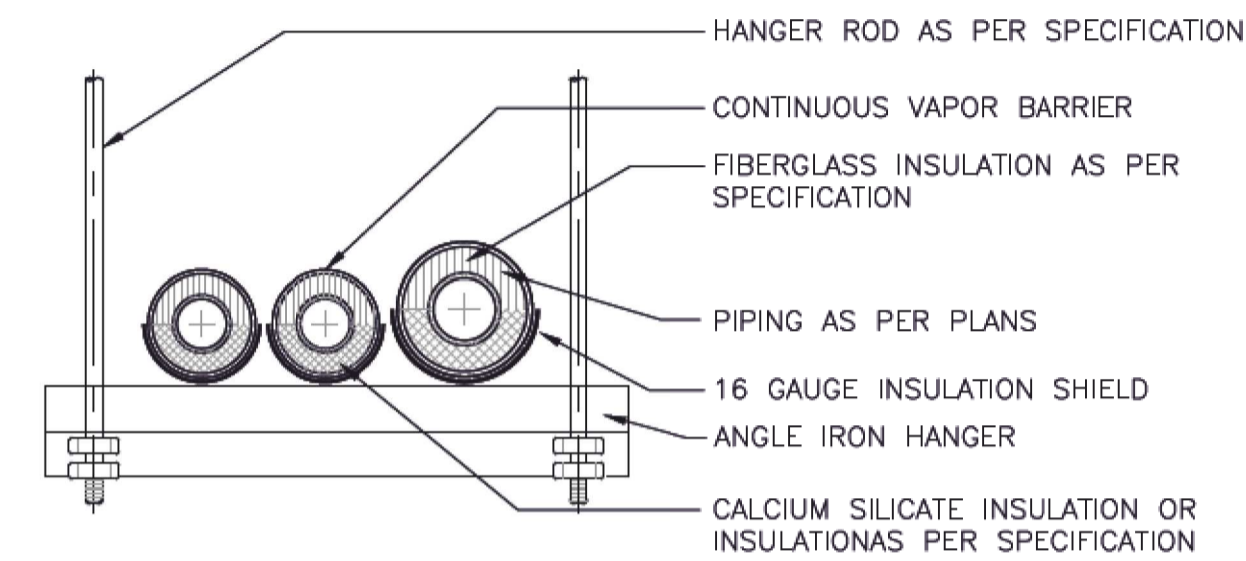
INSULATED PIPE HANGER DETAIL
SCALE: N.T.S.



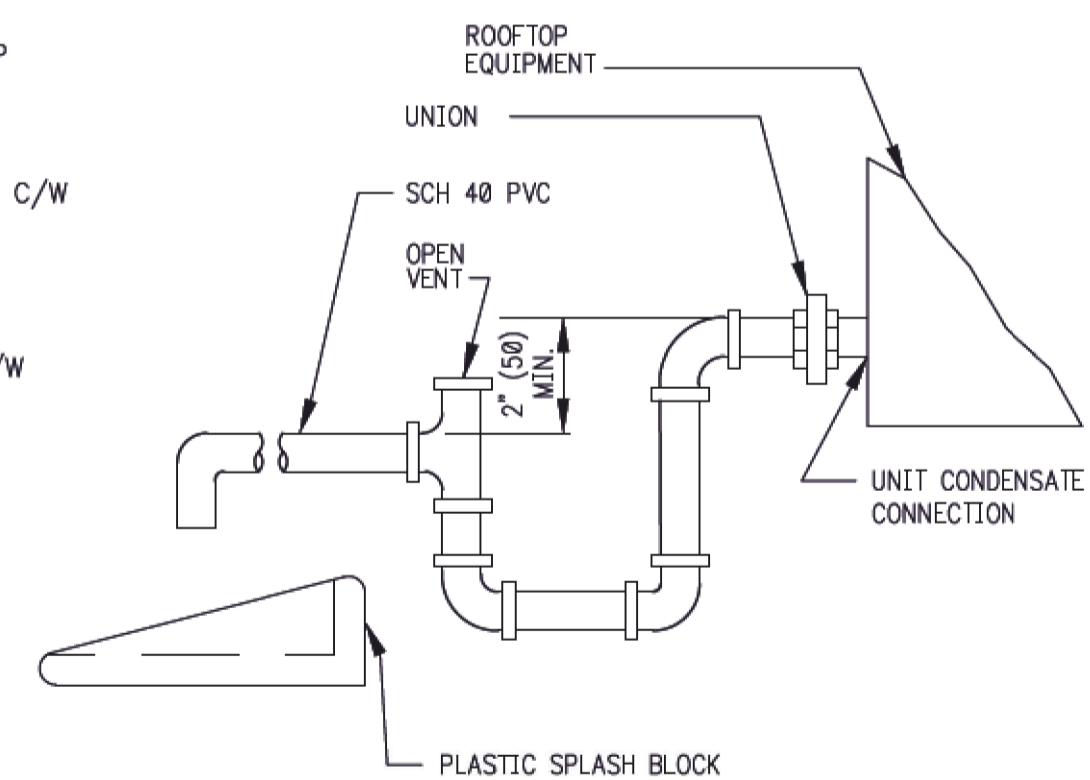
DUPLEX WEEPING TILE SUMP PIT AND PUMP (SP-X) DETAIL
SCALE: N.T.S.



FLOOR DRAIN (FD-x) DETAIL
SCALE: N.T.S.



TRAPEZE HANGER DETAIL
SCALE: N.T.S.



CONDENSATE DRAIN PIPING DETAIL
SCALE: N.T.S.

TOWER PROJECT NO. : 181335
TOWER ENGINEERING GROUP
UNIT 1-1140 WAVERLEY ST. WINNIPEG, MB R3T 0P4
TEL: (204) 925-1150 FAX: (204) 925-1155
EMAIL: towereng@towereng.ca WEB: www.towereng.ca
• WINNIPEG • CALGARY

1	July 08, 2019	Issued For Construction	JAC
No.	Date	Issue / Revision	By
Drawn By: JRodriguez			
Printing Date: July 16, 2019			

APEGM
Certificate of Authorization
Tower Engineering Group
No. 4156 Expiry: April 30, 2020

500-136 Market Ave
Winnipeg, Manitoba
Canada R3B 0P4
t: (204) 942-0681
f: (204) 943-8676
www.lm-architects.com

Drawings and specifications, as instruments of service are the property of the architects, the copyright in the same being reserved to them. No reproduction may be made without the permission of the architects, and when made, must bear their names. All prints to be returned.

The contractor is to verify dimensions and data noted herein with conditions on the site and is held responsible for reporting any discrepancy to the architects for adjustment.

Bill and Helen Norrie Library
Project No.: 2017-082
Tender No.: 542-2019
Address: 15 Poseidon Bay, Winnipeg, MB.

Winnipeg

PLUMBING DETAILS