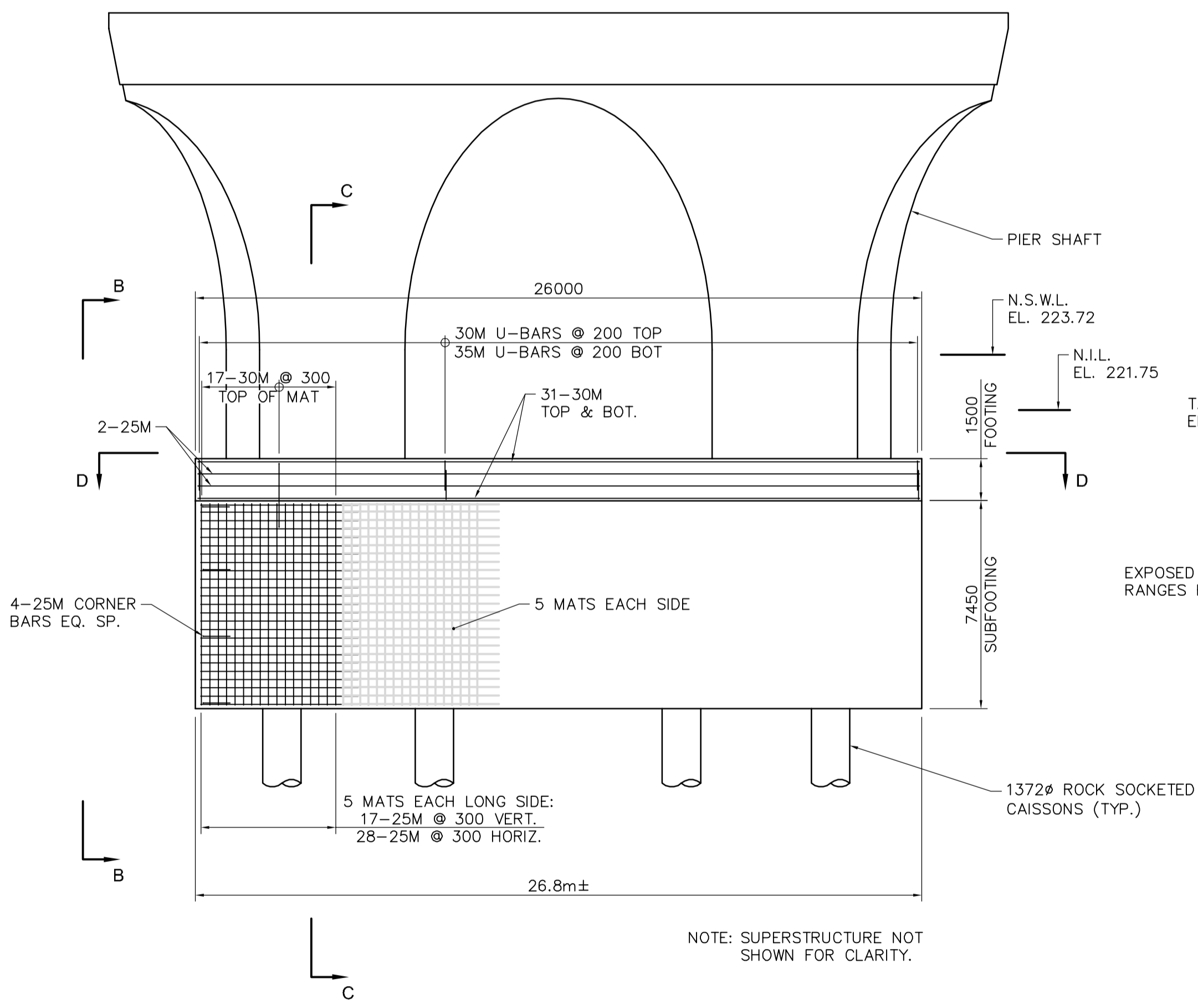
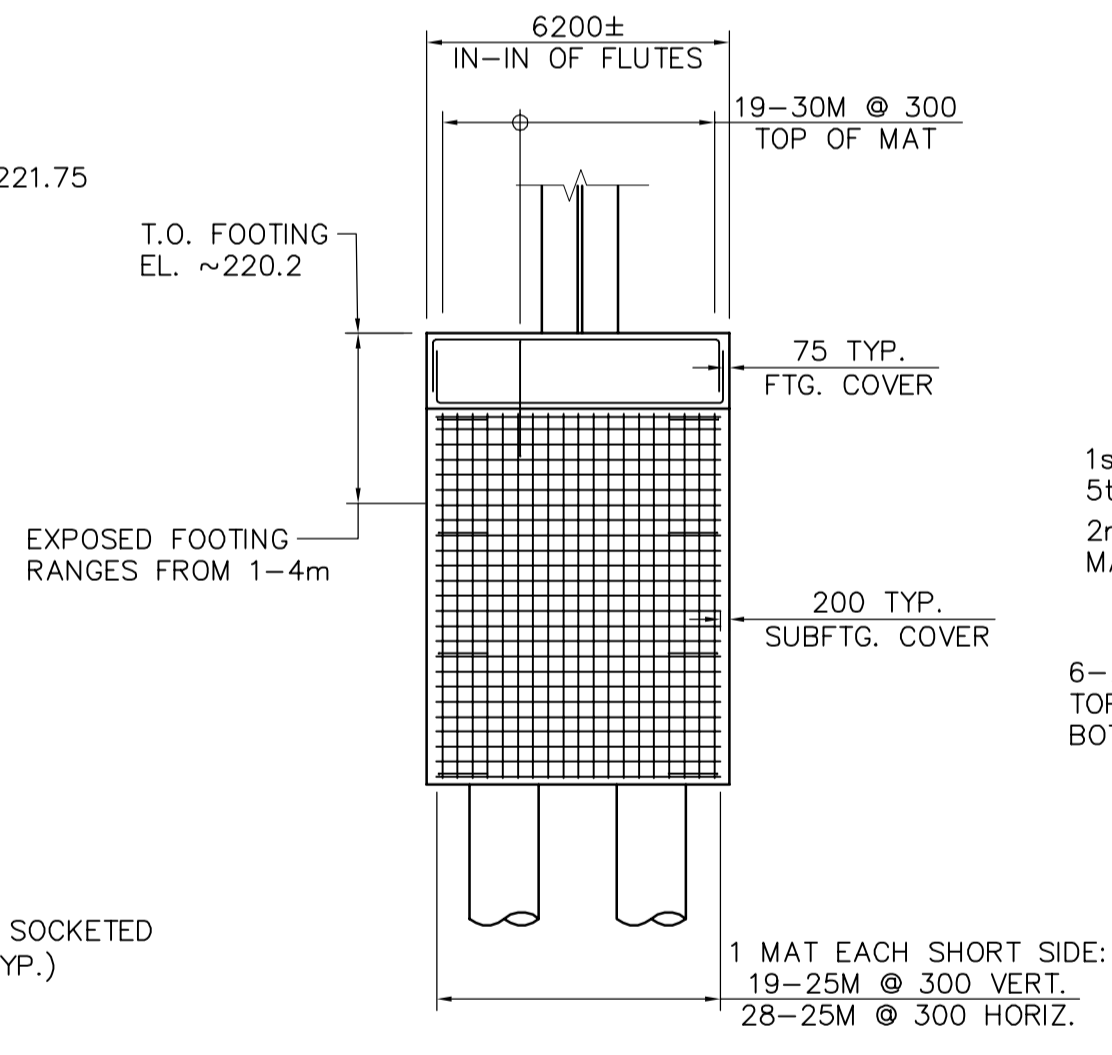


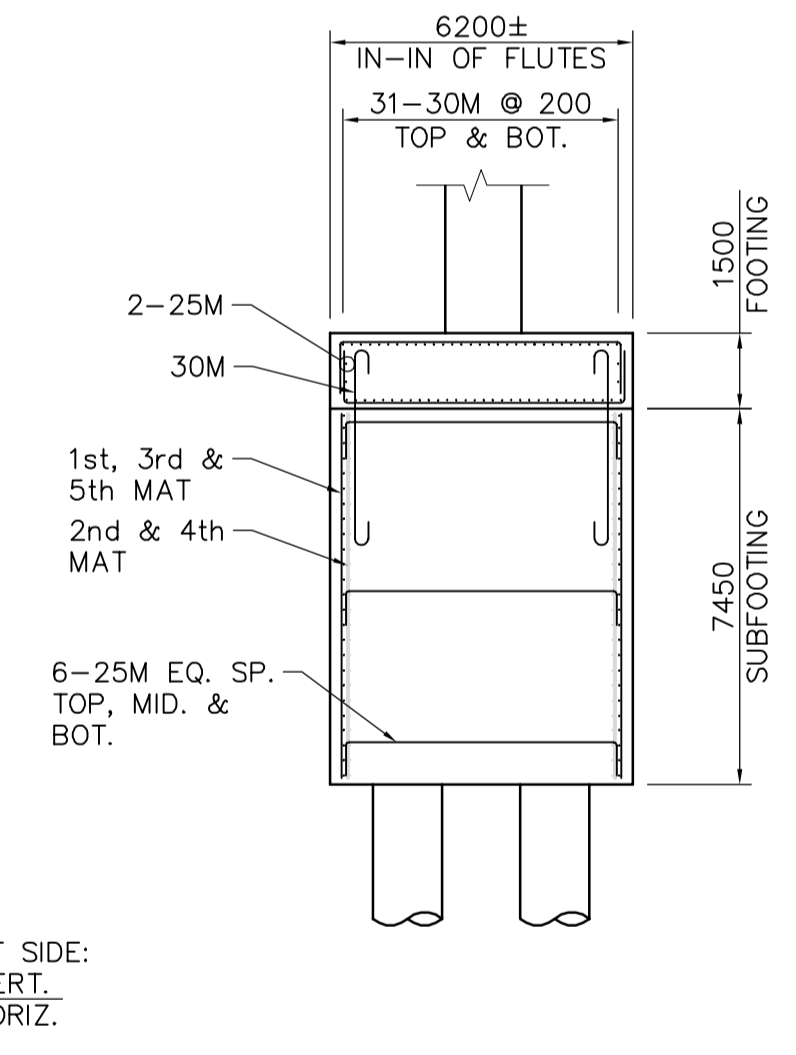
PLAN
SCALE 1:500



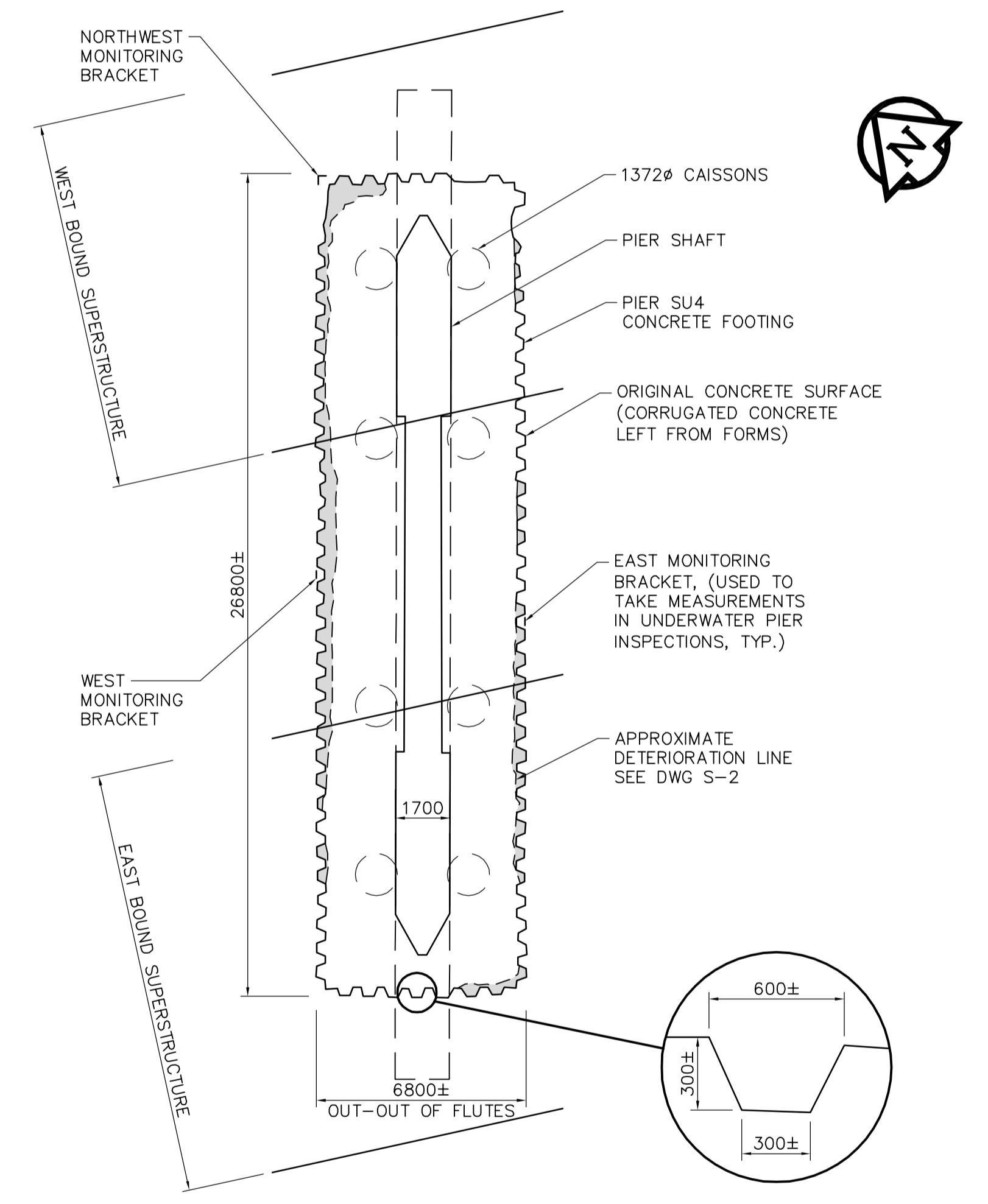
ELEVATION A - SHOWING EXISTING REINFORCING
SCALE 1:150



ELEVATION B
SCALE 1:150



SECTION C
SCALE 1:150



SECTION D
SCALE 1:150

METRIC
WHOLE NUMBERS INDICATE MILLIMETRES
DECIMALIZED NUMBERS INDICATE METRES



B.M. ELEV.	NO.	REVISIONS	DATE	BY
	0	ISSUED FOR TENDER	19/06/06	EBL

AECOM			
DESIGNED BY	FT	CHECKED BY	FT
DRAWN BY	KM	APPROVED BY	EBL
HOR. SCALE:	AS NOTED	RELEASED FOR CONSTRUCTION BY:	
NO.	DATE	DATE	DATE
		2019-05-03	

ENGINEER'S SEAL

PROVINCE OF MANITOBA

E.B. LOEWEN
Member
8325
June 6, 2019
REGISTERED PROFESSIONAL ENGINEER

CONSULTANT DRAWING NO.
60480699_B216_S-1

THE CITY OF WINNIPEG
PUBLIC WORKS DEPARTMENT
TRANSPORTATION ENGINEERING DIVISION

KILDONAN SETTLERS BRIDGE
PIER SU4
UNDERWATER CONCRETE REPAIRS

CITY DRAWING NUMBER
B216-19-02

SHEET 2 OF 3

EXISTING FOOTING DETAILS

REV-0

P:\0480699\0480699\10-CADD\3-SHEETS\0480699_B216_S-1.DWG