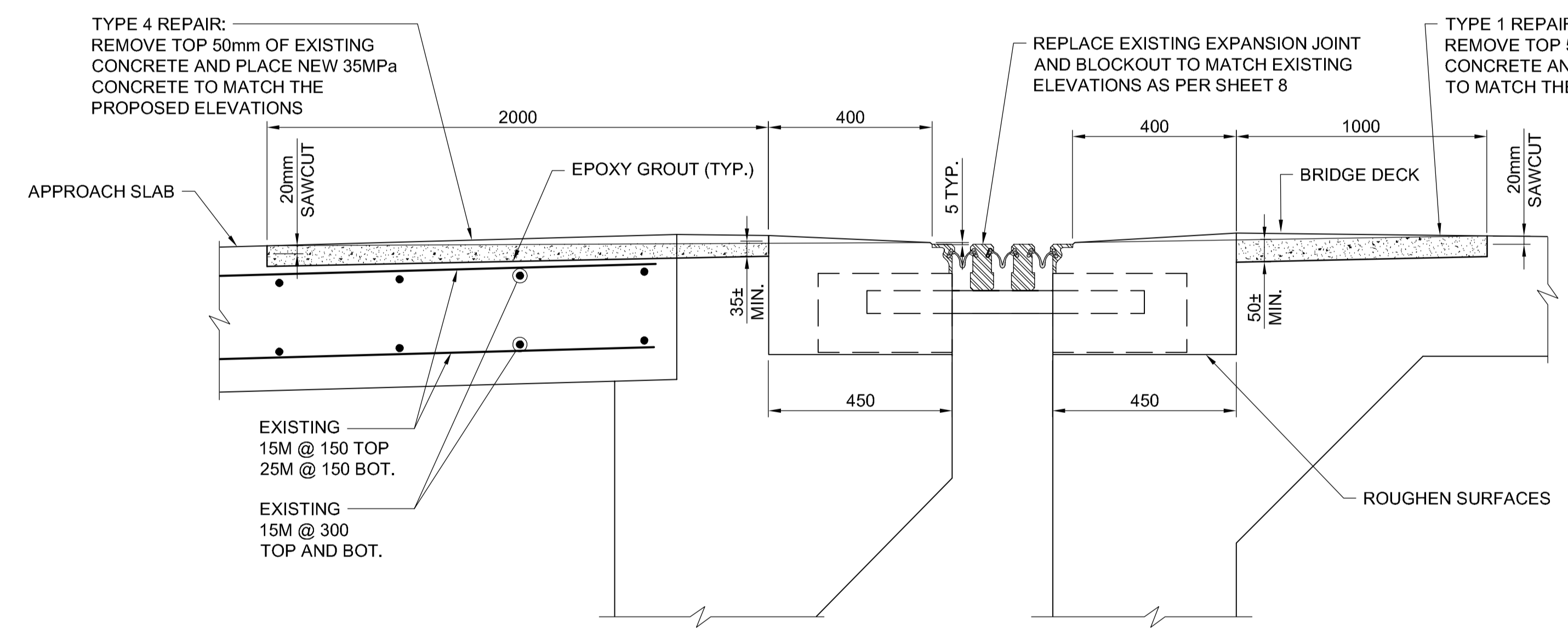
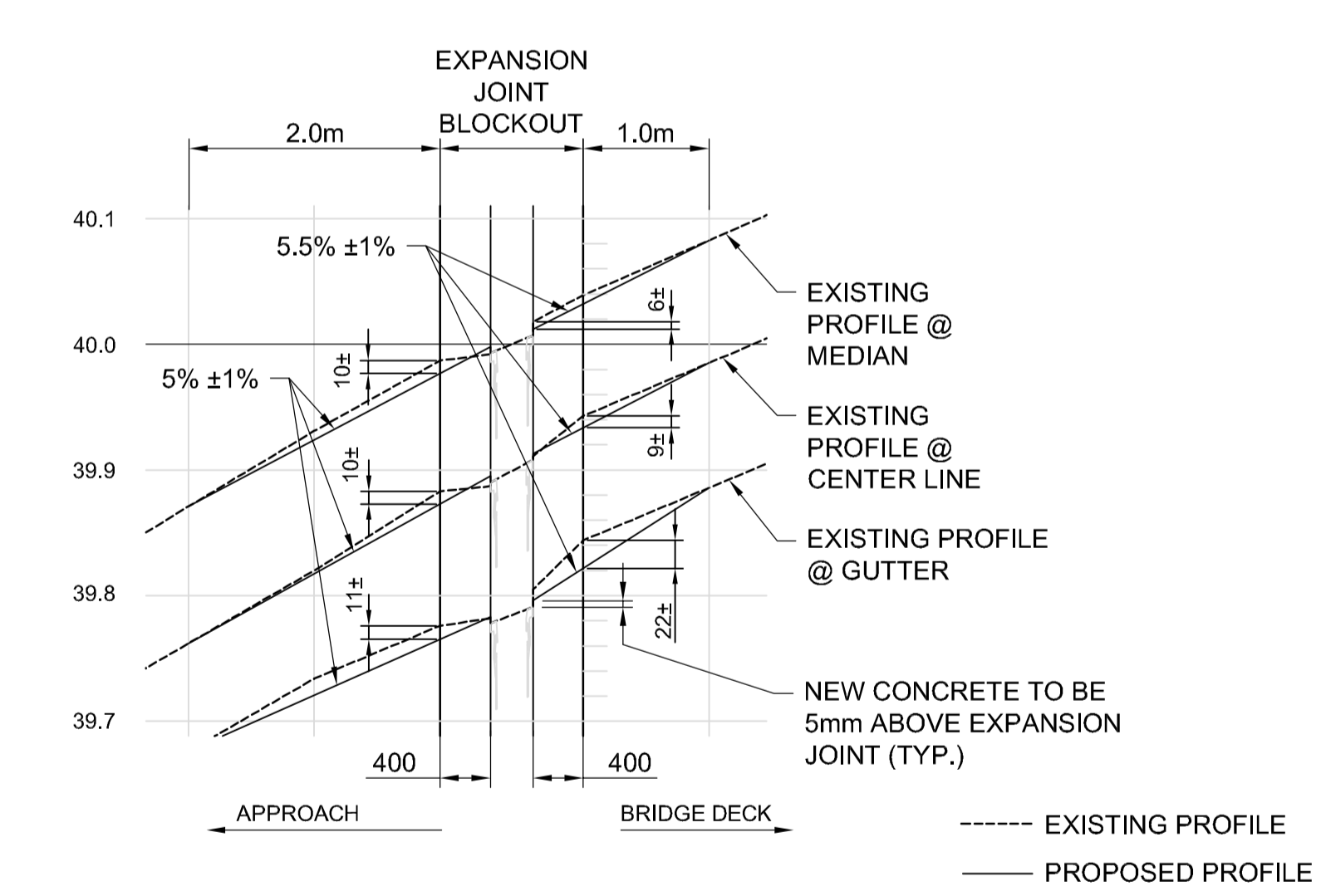


NOTE:
 1. EXISTING ELEVATION SHOWN IS AT TOP OF CONCRETE SURFACE
 2. THE CONTRACTOR SHALL CONFIRM EXISTING AND PROPOSED CONCRETE ELEVATIONS

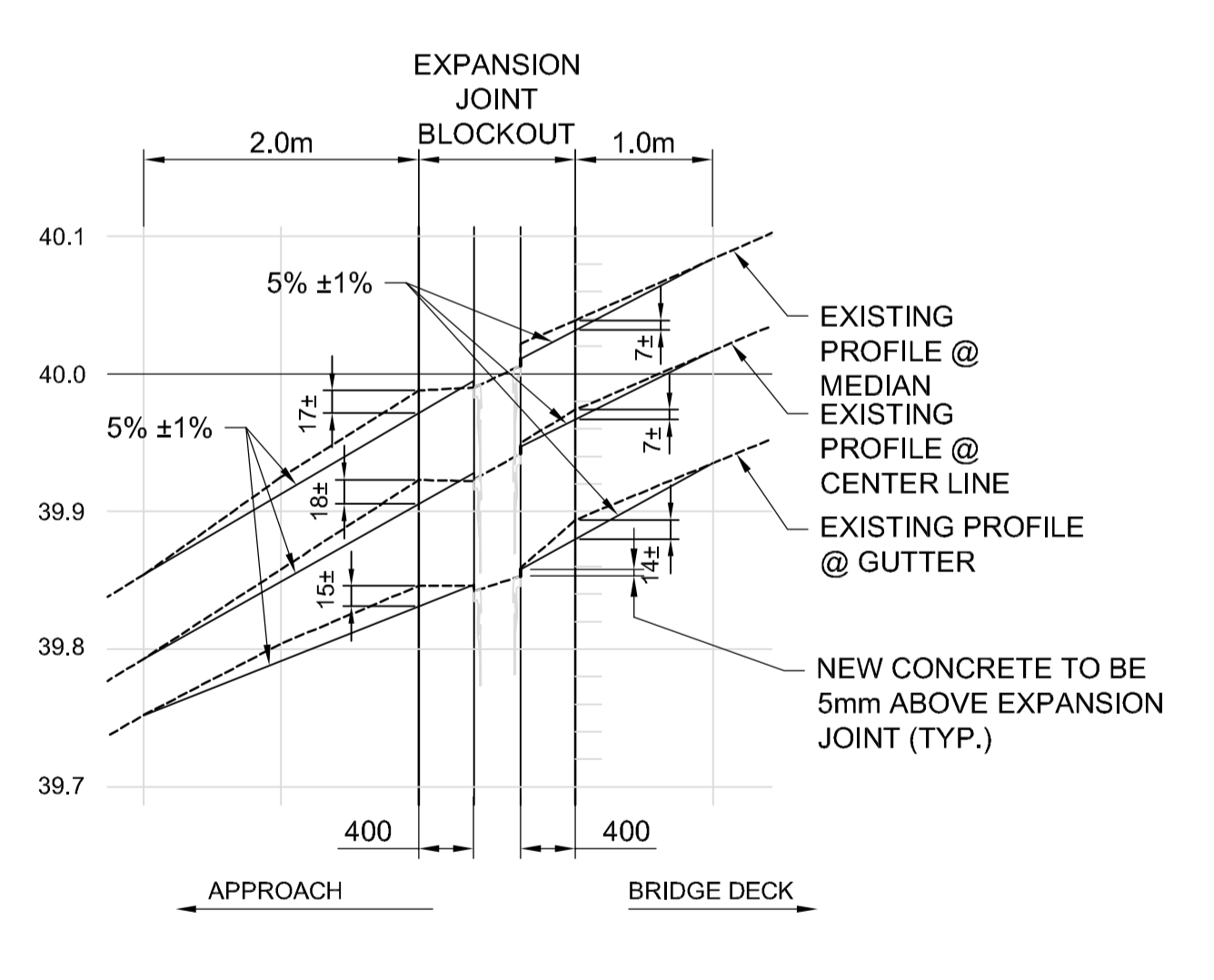
ELEVATION ADJUSTMENT AT NORTH APPROACH SLAB AND BRIDGE DECK
 SCALE NTS



A NORTH EXPANSION JOINT SECTION
 SCALE 1:10



SOUTHBOUND PROFILE NORTH APPROACH SLAB
 SCALE H - 1:50 V - 1:5



NORTHBOUND PROFILE NORTH APPROACH SLAB
 SCALE H - 1:50 V - 1:5

METRIC

WHOLE NUMBERS INDICATE MILLIMETRES
 DECIMALIZED NUMBERS INDICATE METRES

P:\2019\10\06\CAD_018\10\CAD\DWG\SHEETS\CS-06.DWG

ENGINEERS GEOSCIENTISTS MANITOBA
 Certificate of Authorization
 AECOM Canada Ltd.
 No. 4671 Date: 2019.06.06

AECOM		ENGINEER'S SEAL DK DAS Member 35493 2019.06.06	
DESIGNED BY: DKD	CHECKED BY: DKD	CONSULTANT DRAWING NO. CS-06	
DRAWN BY: KM	APPROVED BY: EBL	2019-04-24	
HOR. SCALE: AS NOTED	RELEASED FOR CONSTRUCTION BY:	DATE	
VERTICAL: NOTED			
0 ISSUED FOR TENDER	19/06/06 DKD		
NO. REVISIONS	DATE	BY	DATE

THE CITY OF WINNIPEG
 PUBLIC WORKS DEPARTMENT
 TRANSPORTATION ENGINEERING DIVISION

2019 SLAW REBCHUK OVERPASS DECK, EXPANSION JOINTS AND MISCELLANEOUS REPAIRS

CITY DRAWING NUMBER B115-19-07
 SHEET 7 OF 8

GRADE ADJUSTMENT DETAILS OF NORTH APPROACH SLAB

REV-0