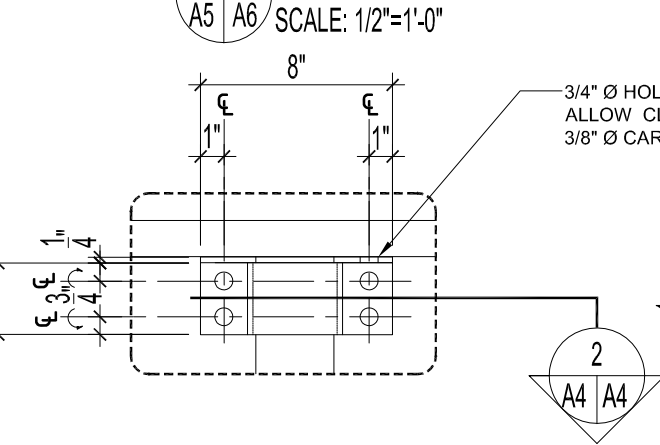
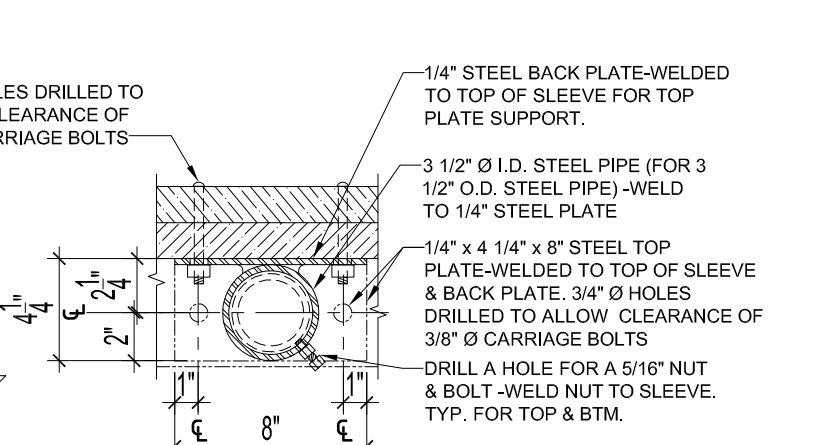


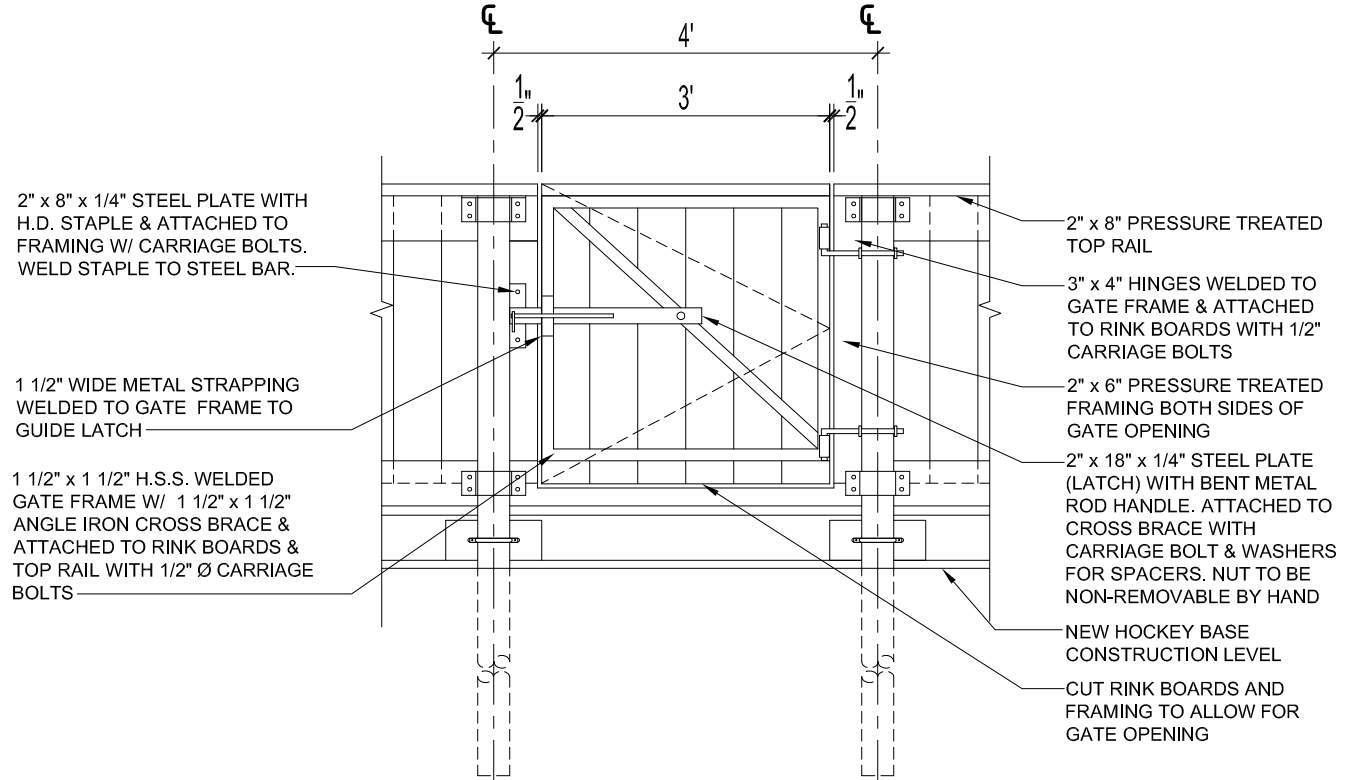
SECTION -PLAYER /PENALTY BOX WITH FENCING
SCALE: 1/2"=1'-0"



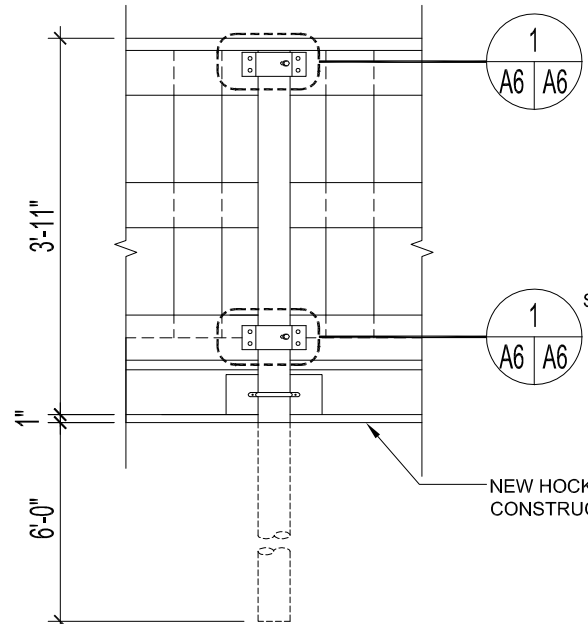
DETAIL -POST SLEEVE
SCALE: 1 1/2"=1'-0"



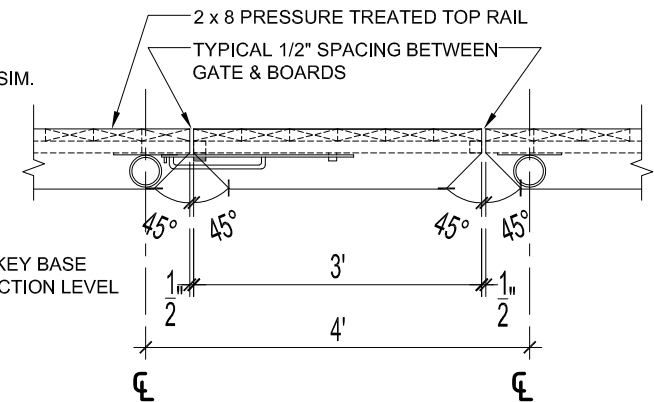
SECTION -POST SLEEVE
SCALE: 1 1/2"=1'-0"



TYPICAL ELEVATION -PLAYERS /PENALTY BOX ACCESS GATES
SCALE: 1/2" = 1'-0"



ELEVATION -TYPICAL RINK BOARDS WITHOUT FENCING
SCALE: 1/2" = 1'-0"



ACCESS GATES -TYPICAL PLAN VIEW
SCALE: 1/2" = 1'-0"

VIA-CAD/ARCHIVE/SPCS/HOCKEY RINK

THE CITY OF WINNIPEG PLANNING, PROPERTY AND DEVELOPMENT DEPARTMENT MUNICIPAL ACCOMMODATIONS DIVISION 3-65 GARRY STREET, R3C 4K4		SHEET TITLE PLAYERS /PENALTY BOXES WITH FENCING SECTION, ELEVATIONS & DETAILS		PROJECT PARK CITY WEST COMMUNITY CENTRE OUTDOOR RINK REPLACEMENT 115 SANFORD FLEMING ROAD BID OPP#402-2019	
DRAWN BY: JAW	DESIGNED BY:	CHECKED BY:	APPROVED BY:	DATE: 2019.05.01 eFILE: 2017087V0.dwg	SCALE: AS SHOWN PROJECT No: 2019-047
				SHEET No: A6	