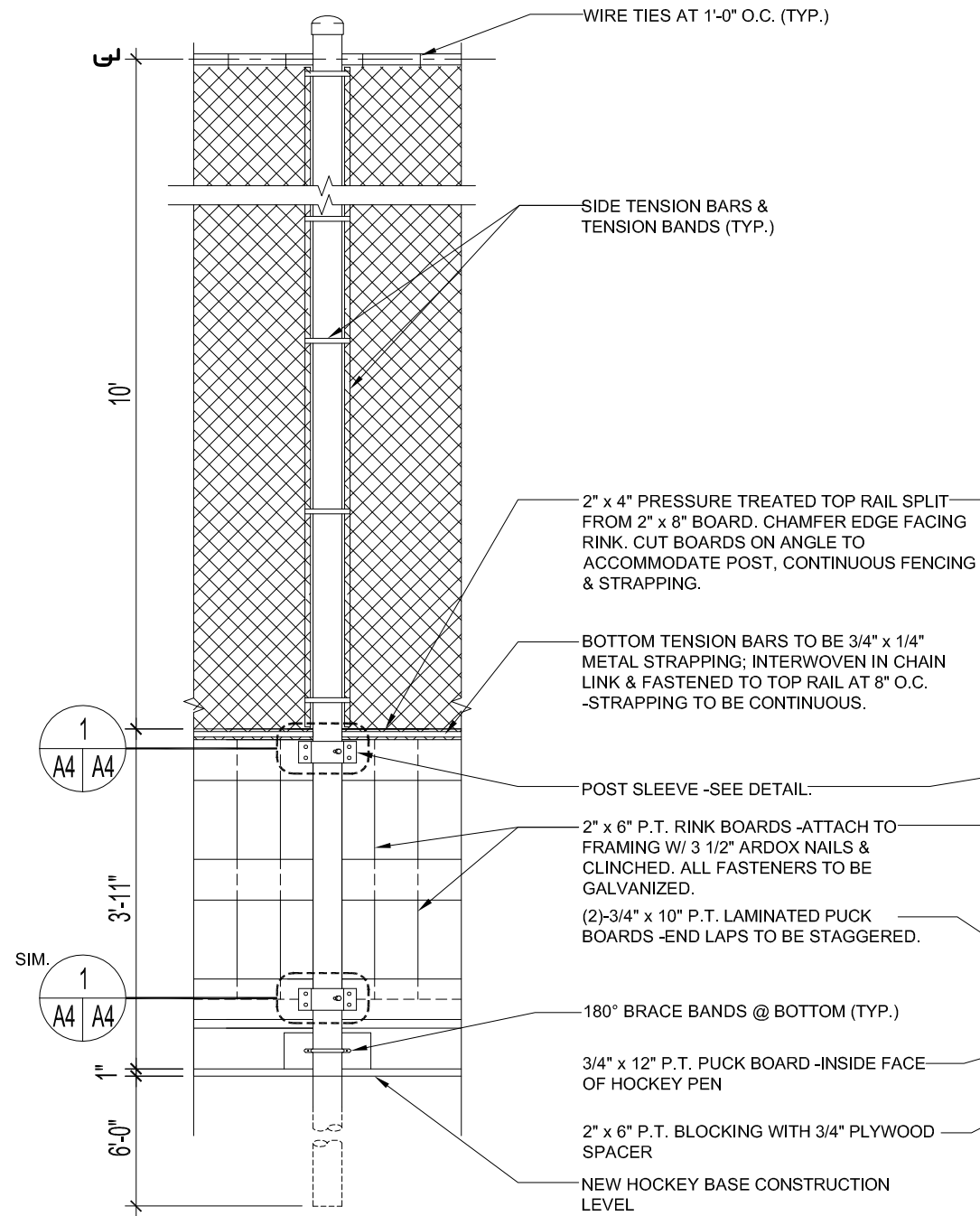
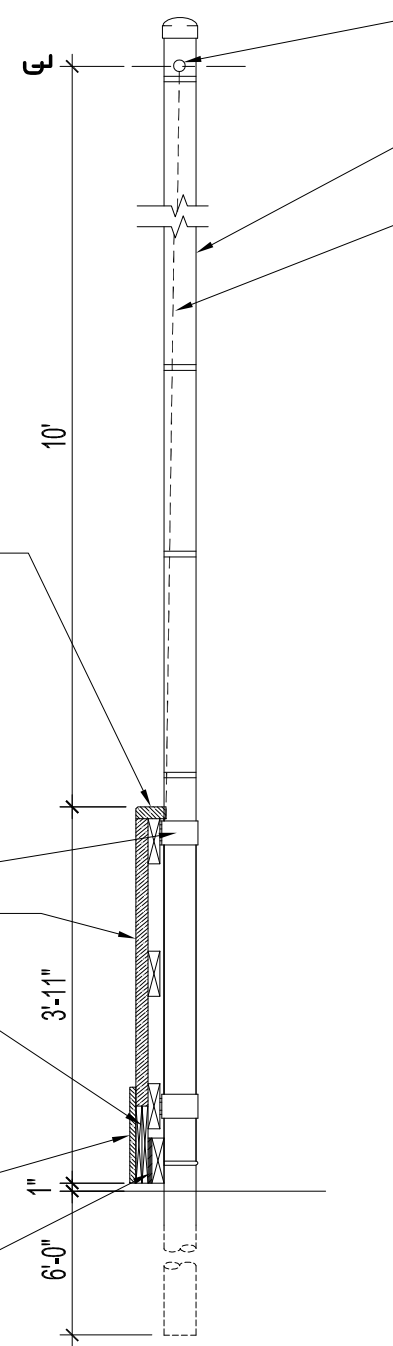


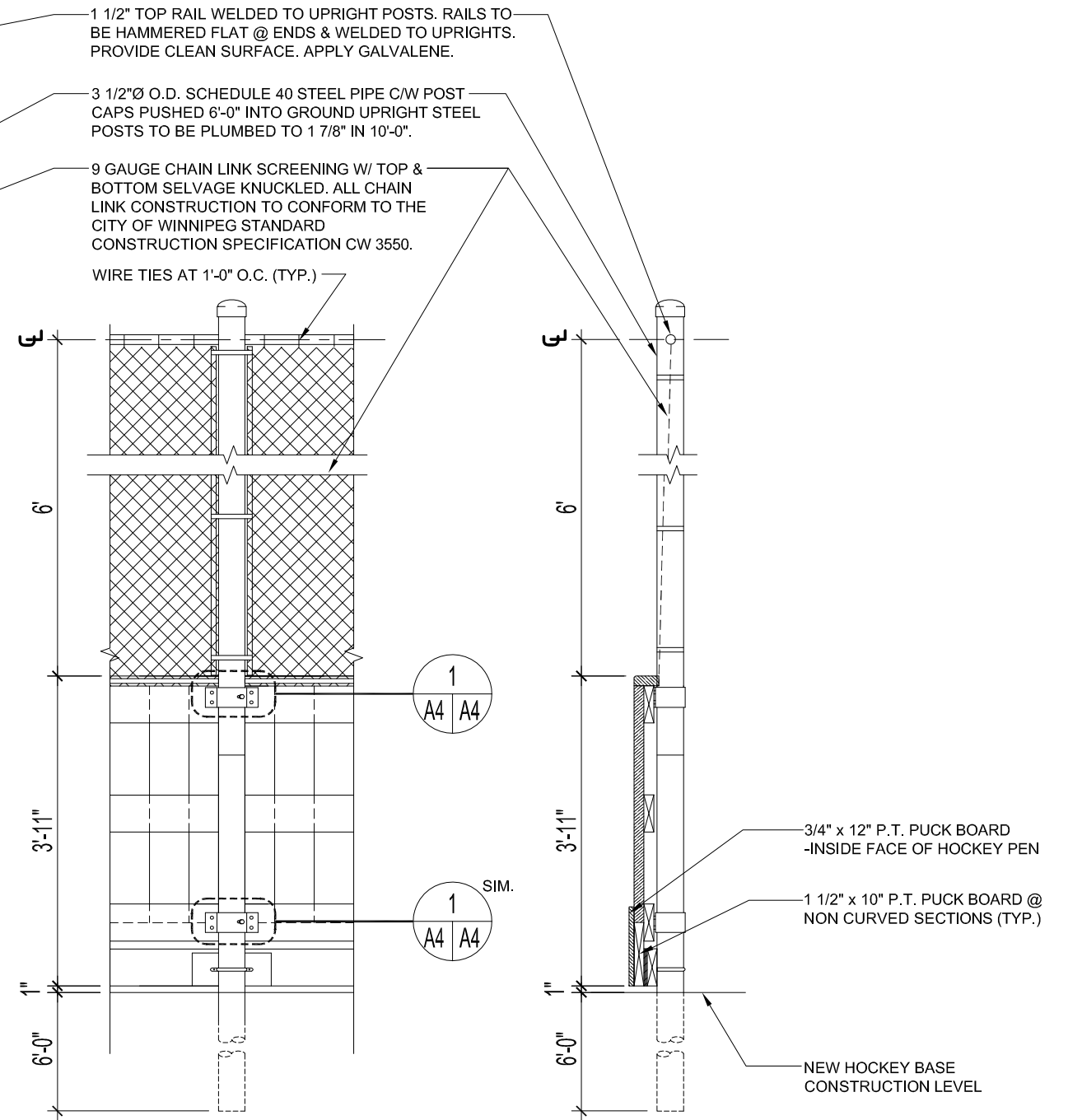
V:\A-CAD\ARCHIVE\SPCS\HOCKEY RINK



**ELEVATION -RINK END BOARDS**  
SCALE: 1/2" = 1'-0"

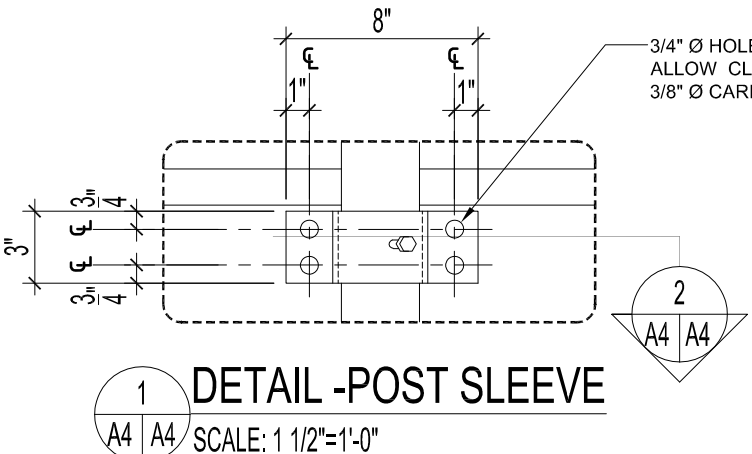


**SECTION -RINK END BOARDS**  
SCALE: 1/2" = 1'-0"

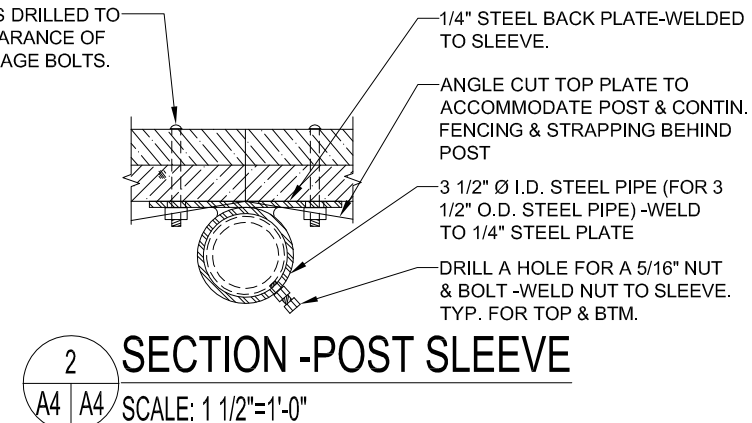


**ELEVATION - TYPICAL RINK BOARDS W/ FENCING**  
SCALE: 1/2" = 1'-0"

**SECTION -TYPICAL RINK BOARDS W/ FENCING**  
SCALE: 1/2" = 1'-0"



**1 DETAIL -POST SLEEVE**  
SCALE: 1 1/2"=1'-0"



**2 SECTION -POST SLEEVE**  
SCALE: 1 1/2"=1'-0"

THE CITY OF WINNIPEG PLANNING, PROPERTY AND DEVELOPMENT DEPARTMENT MUNICIPAL ACCOMMODATIONS DIVISION 3-65 GARRY STREET, R3C 4K4		SHEET TITLE <b>RINK BOARD ELEVATIONS W/ FENCING; SECTIONS &amp; DETAILS</b>		PROJECT <b>PARK CITY WEST COMMUNITY CENTRE OUTDOOR RINK REPLACEMENT</b> 115 SANFORD FLEMING ROAD BID OPP#402-2019		CC-064
DRAWN BY: JAW	DESIGNED BY:	CHECKED BY:	APPROVED BY:	DATE: 2019.05.01 eFILE: 2017087V0.dwg	SCALE: <b>AS SHOWN</b>	SHEET No: <b>A4</b>
				PROJECT No: 2019-047		