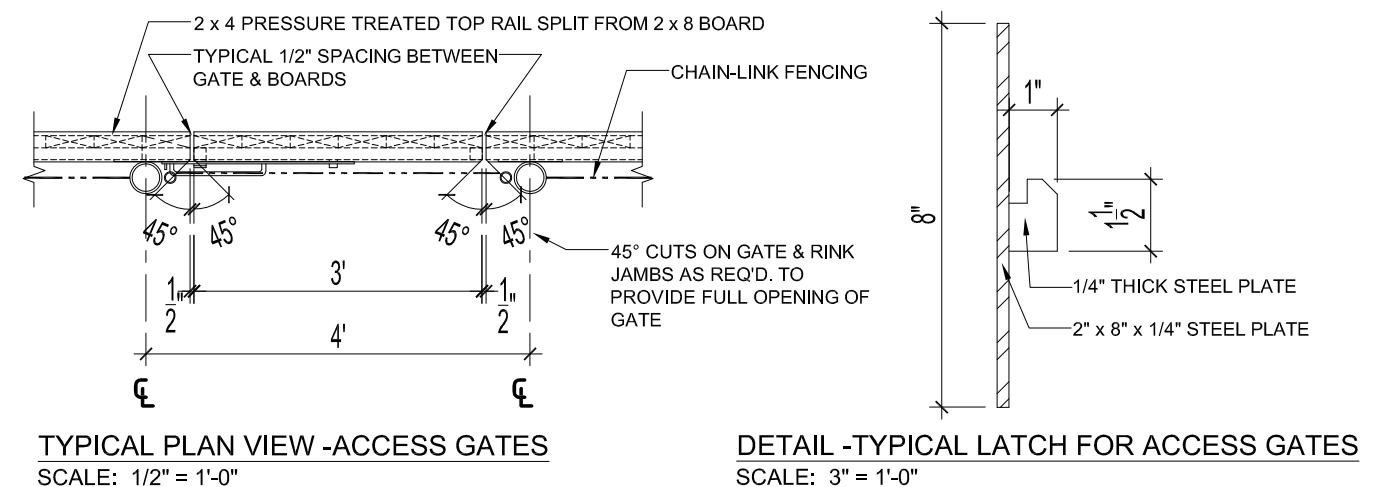
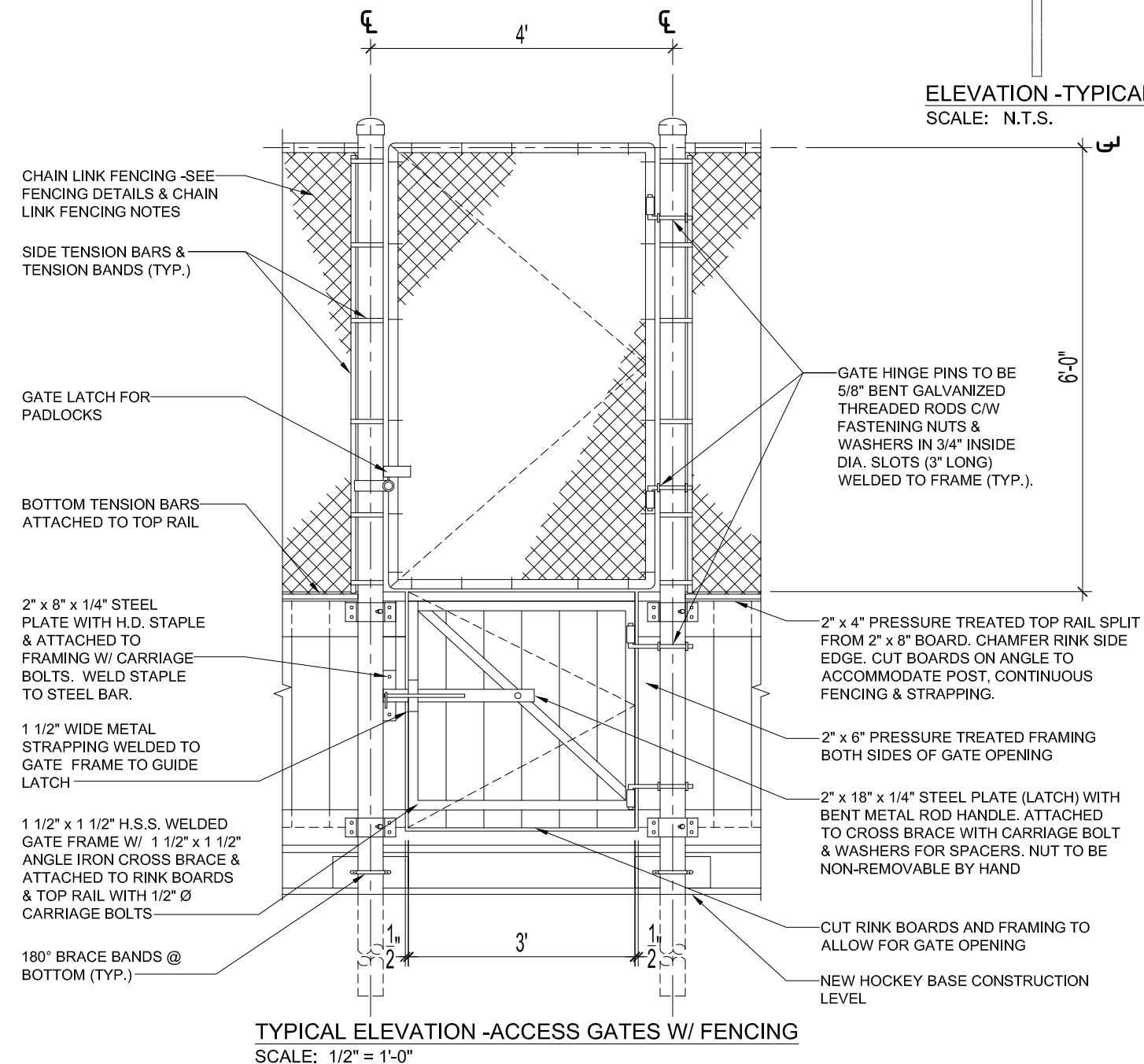
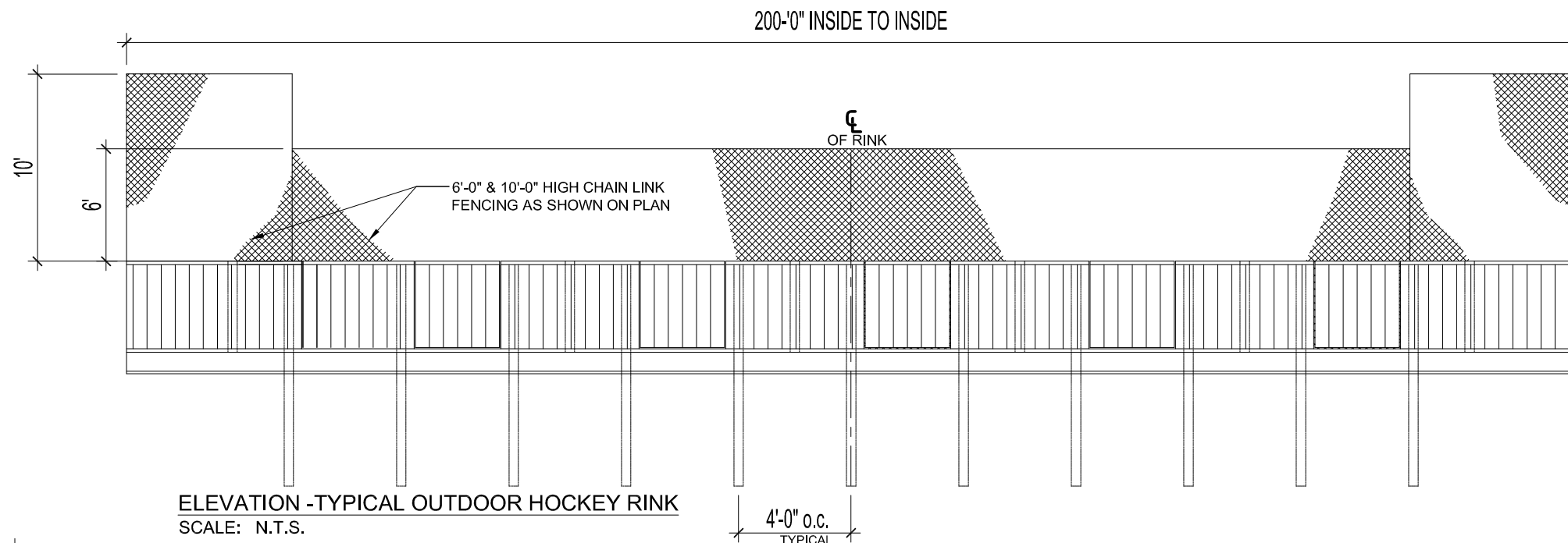


V:\A-CAD\ARCHIVE\SPCS\HOCKEY RINK



THE CITY OF WINNIPEG PLANNING, PROPERTY AND DEVELOPMENT DEPARTMENT MUNICIPAL ACCOMMODATIONS DIVISION 3-65 GARRY STREET, R3C 4K4		SHEET TITLE HOCKEY RINK ELEVATION, ACCESS GATE ELEVATION & GATE DETAILS W/ FENCING		PROJECT PARK CITY WEST COMMUNITY CENTRE OUTDOOR RINK REPLACEMENT 115 SANFORD FLEMING ROAD BID OPP#402-2019		CC-064
DRAWN BY: JAW	DESIGNED BY:	CHECKED BY:	APPROVED BY:	DATE: 2019.05.01 eFILE: 2017087V0.dwg	SCALE: AS SHOWN	SHEET No: A2
				PROJECT No: 2019-047		