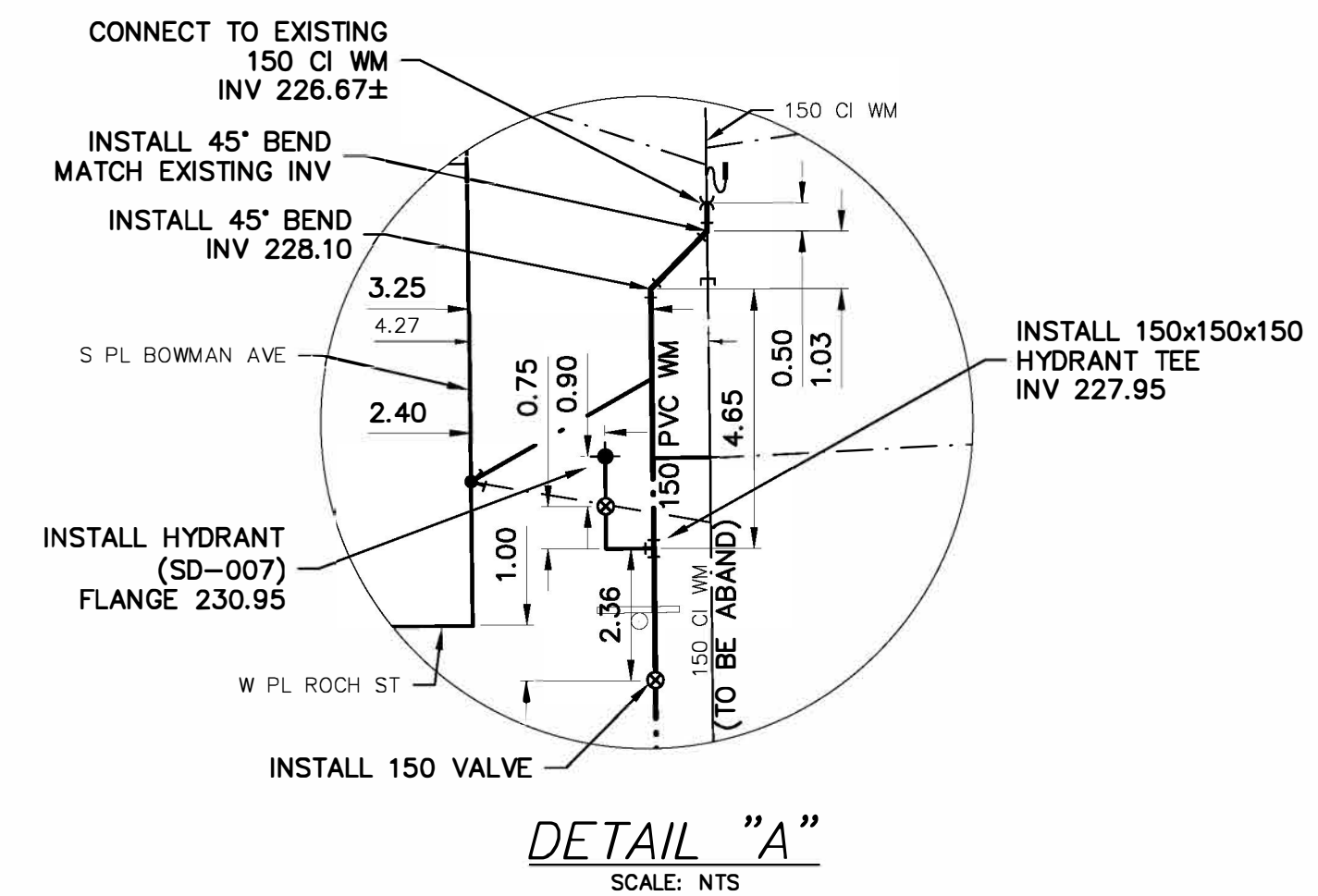
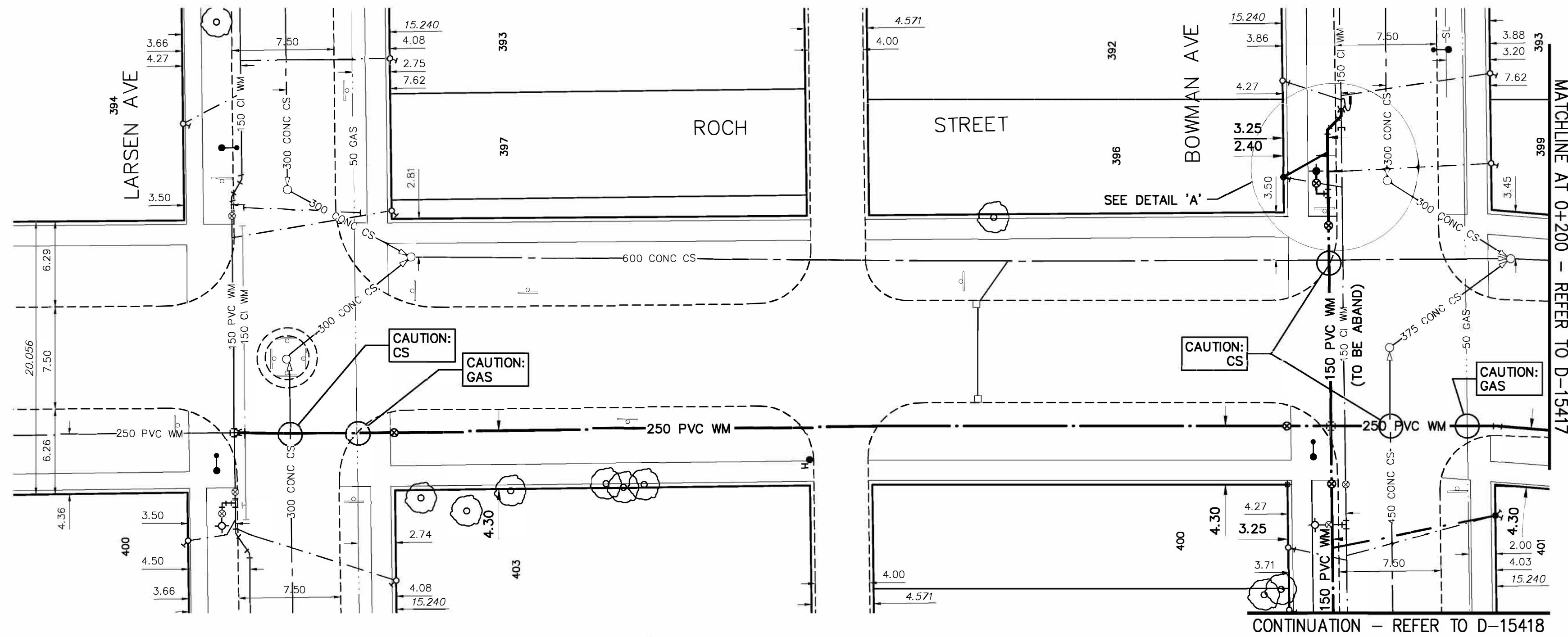
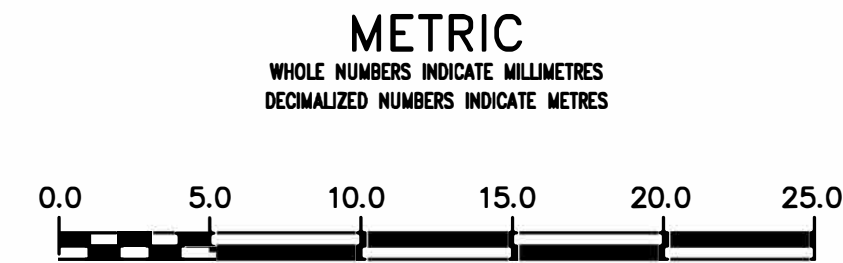


NOTE: CHAINAGES SHOWN ARE ALONG E. \perp OF ROCH ST



ALL VALVES TO BE COUNTER-CLOCKWISE TO CLOSE (RED OPERATING NUT)



ENGINEERS
GEOSCIENTISTS
MANITOBA
 Certificate of Authorization
 AECOM Canada Ltd.
 No. 4671 Date: 3/29/2019

REFER TO DRAWING D-15408 FOR CONSTRUCTION NOTES

WARNING
 IF POWER EQUIPMENT OR EXPLOSIVES ARE TO BE USED FOR EXCAVATION ON THIS PROJECT THE CONTRACTOR MUST:
 1) NOTIFY THE GAS COMPANY OF THE PROPOSED LOCATION OF EXCAVATION.
 2) TAKE PRECAUTION TO AVOID DAMAGE TO GAS COMPANY INSTALLATIONS.
 SEE PROVINCIAL REGULATION 210/72 FOR DETAILS

LOCATION APPROVED
 UNDERGROUND STRUCTURES
 SUPV. U/G STRUCTURES COMMITTEE DATE
 NOTE:
 LOCATION OF UNDERGROUND STRUCTURES AS SHOWN ARE BASED ON THE BEST INFORMATION AVAILABLE BUT NO GUARANTEE IS GIVEN THAT ALL EXISTING UTILITIES ARE SHOWN OR THAT THE GIVEN LOCATIONS ARE EXACT. CONFIRMATION OF EXISTENCE AND EXACT LOCATION OF ALL SERVICES MUST BE OBTAINED FROM THE INDIVIDUAL UTILITIES BEFORE PROCEEDING WITH CONSTRUCTION.

B.M. 27-030 ELEV. 230.897m	859637 - S.W. Cor. Roch St. and Harbison Ave., Tilt on top of 0.05m dia. x 2.4m iron pipe, 2.1m E. of W.L. of Roch St. & on S.L. of Harbison Ave.
DESIGNED BY	JP
CHECKED BY	GSK
DRAWN BY	JP
APPROVED BY	
SCALE:	HORIZONTAL 1:250 VERTICAL 1:50
DATE	2019/03/15
NO.	REVISIONS
0	ISSUED FOR TENDER 19/03/29 GSK
A	ISSUED FOR REVIEW 19/03/15 GSK

AECOM

DESIGNED BY JP CHECKED BY GSK
 DRAWN BY JP APPROVED BY
 SCALE: HORIZONTAL 1:250 VERTICAL 1:50
 DATE 2019/03/15

ENGINEER'S SEAL

 CONSULTANT DRAWING NUMBER
C-0008

THE CITY OF WINNIPEG
 WATER AND WASTE DEPARTMENT
 ENGINEERING DIVISION
 2019 WATER MAIN RENEWALS
 CONTRACT 7
ROCH STREET
 LARSEN AVENUE TO
 63m S OF JAMISON AVENUE

SHEET 10 OF 19
 CITY DRAWING NUMBER
D-15416