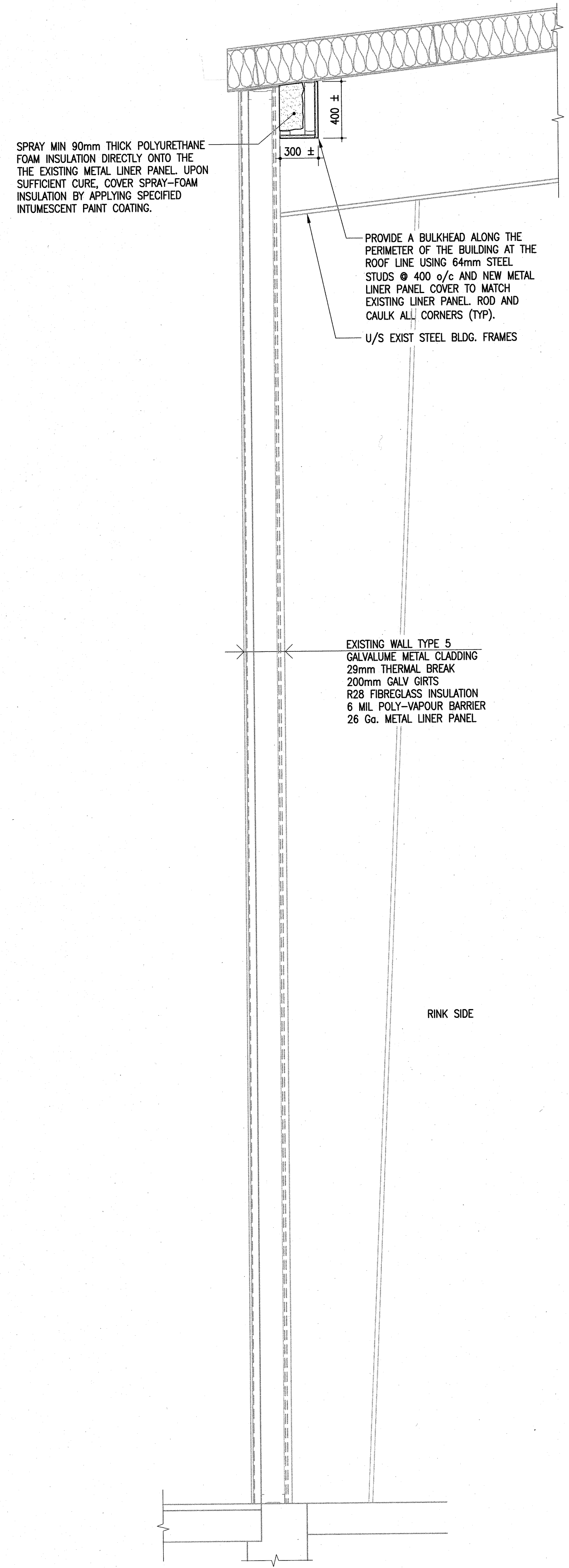
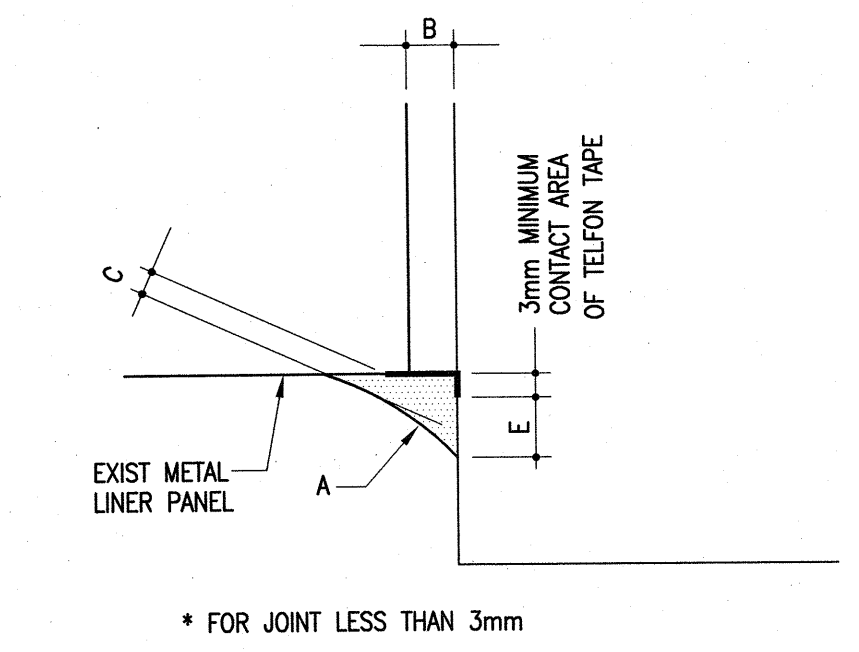
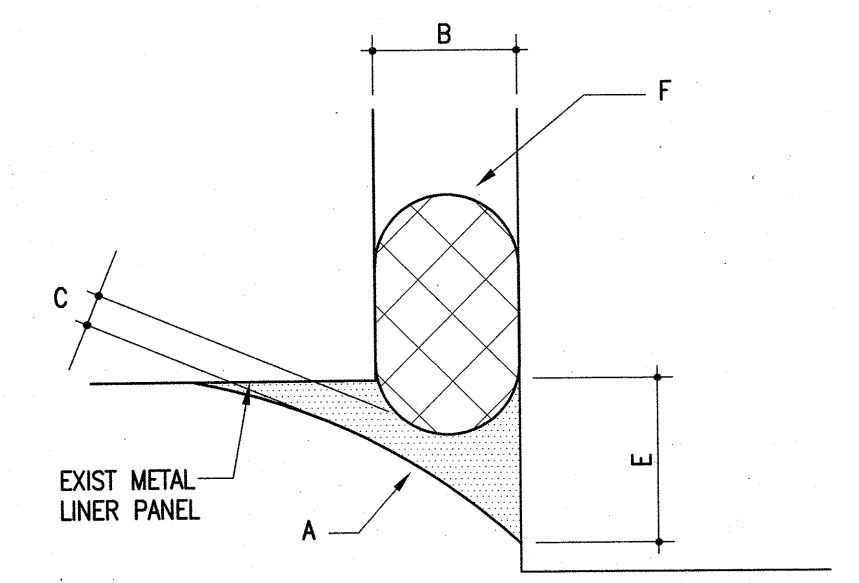


1 SECTION AT RINK WALL
S4.3 1 : 20



2 SECTION AT RINK WALL
S4.3 1 : 20

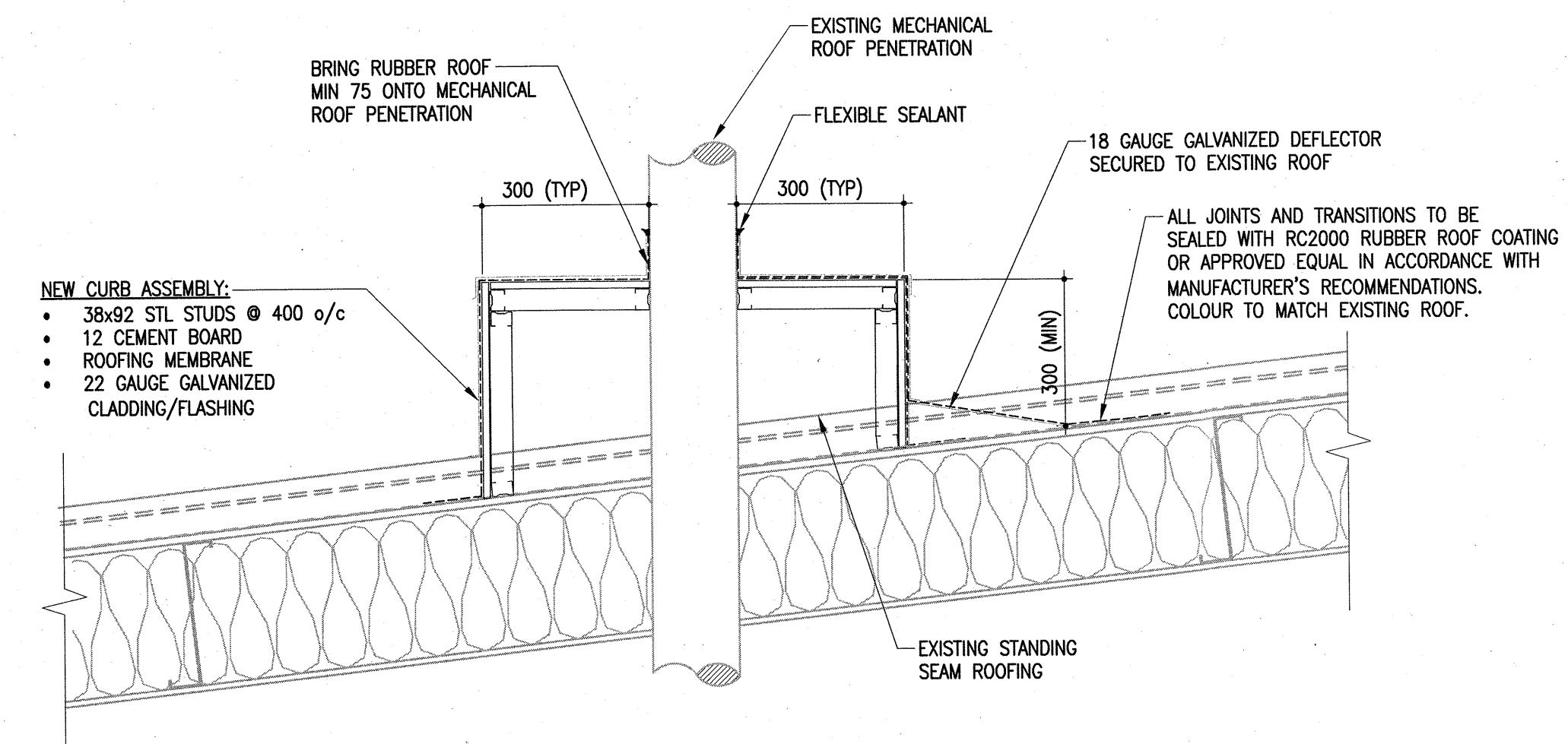


A TYPICAL SEALANT JOINT DETAILS
S4.3 SCALE: NTS

- A - SEALANT (COLOUR CHOSEN BY CITY OF WINNIPEG)
B - JOINT WIDTH (16mm ± 3mm)
C - SEALANT DEPTH (3mm MINIMUM, 10mm MAXIMUM)
D/E - SEALANT CONTACT DEPTH (MINIMUM 6mm)
F - BACKER ROD OR BOND BREAKER TAPE

NOTE: RATIO OF B:C SHOULD BE 2:1 MINIMUM

- NOTES:
1. COMPLETELY REMOVE ALL EXISTING SEALANT FROM PANELS AND METAL FRAMES.
 2. CLEAN JOINT SURFACES IN ACCORDANCE WITH SPECIFICATIONS.
 3. INSTALL MANUFACTURER APPROVED PRIMER.
 4. INSTALL NEW CLOSED CELL BACKER ROD OR BOND BREAKER TAPE AS JOINT WIDTH PERMITS.
 5. INSTALL CONTINUOUS BEAD OF SEALANT IN ACCORDANCE WITH DRAWINGS AND SPECIFICATIONS.
 6. REFER ALSO TO SPECIFICATION FOR A COMPLETE LIST OF METHODS AND MATERIALS.



B NEW CURB AT TYPICAL ROOF PENETRATION
S4.3 SCALE: NTS 30 LOCATIONS THUS

The General Contractor shall check & verify all dimensions and report any errors or omissions to the designers.

No.	Date	Issue/Revision	By
0	2019-03-05	ISSUED FOR CONSTRUCTION	CMR

**ENGINEERS
GEOLOGISTS
MANITOBA**
Certificate of Authorization
Crosier Kilgour & Partners Ltd.
No. 235



Consultant

300-275 Carlton Street
Winnipeg, Manitoba R3C 5R6
T 204. 943. 7501
F 204. 943. 7507

**Crosier Kilgour
& Partners Ltd.**
CONSULTING STRUCTURAL ENGINEERS

Project
DAKOTA COMMUNITY CENTRE
BUILDING ENVELOPE UPGRADES
1188 DAKOTA STREET
WINNIPEG, MB

Sheet Title
SECTIONS AND DETAILS

File	Date
2018-1488	2019-02-25

Design	Drawn
CMR	RBC/RJM

Revision	Sheet No.
0	S4.3