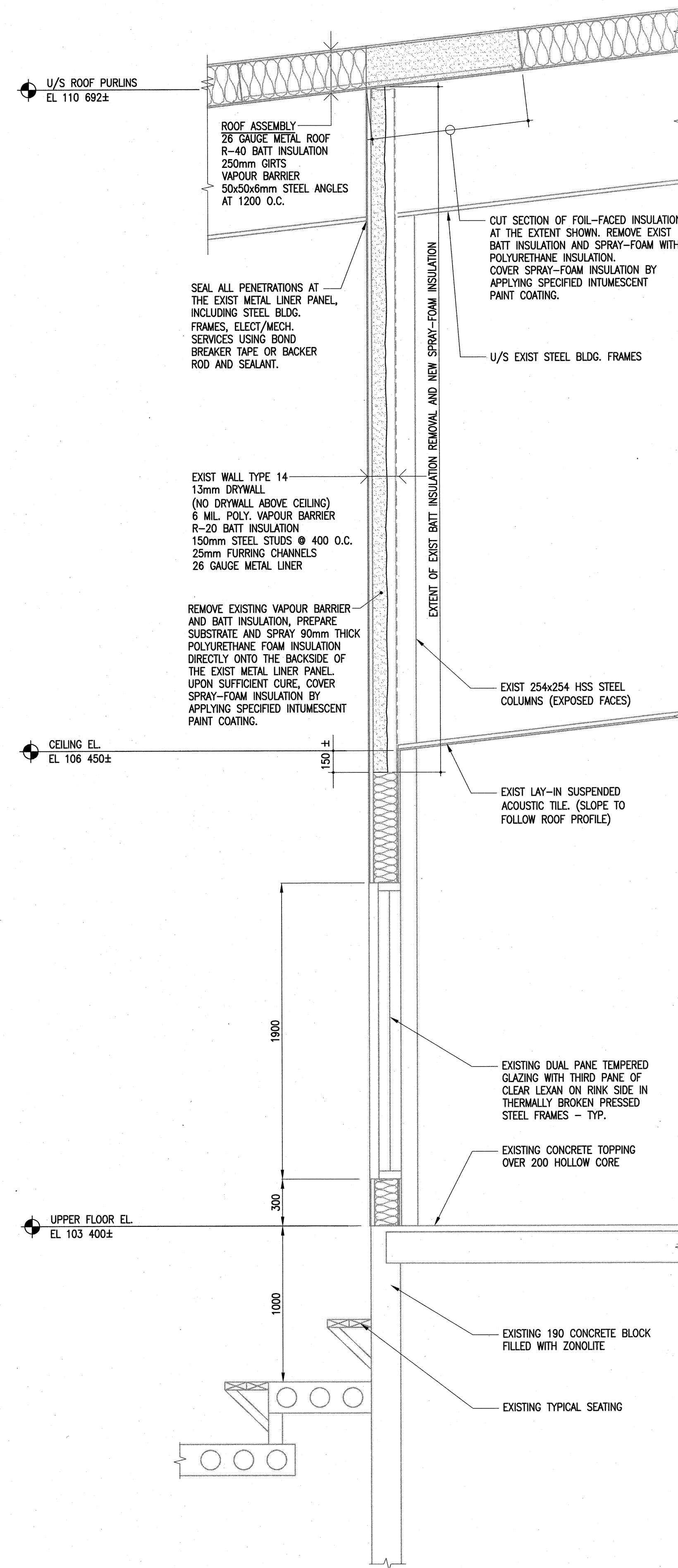
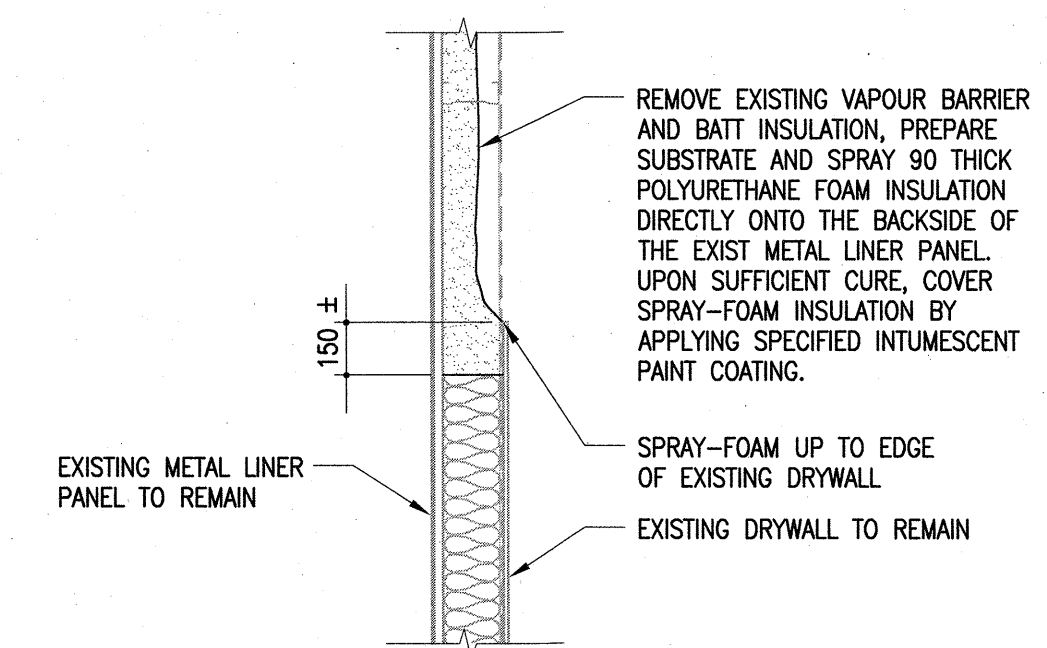


**1 SECTION - ARENA SEATING (DOORWAY)**  
S4.2 1 : 20



**2 SECTION - ARENA SEATING (VIEWING)**  
S4.2 1 : 20



**3 SECTION**  
S4.2 1 : 20

The General Contractor shall check & verify all dimensions and report any errors or omissions to the designers.

No.	Date	Issue/Revision	By
0	2019-03-05	ISSUED FOR CONSTRUCTION	CMR

**ENGINEERS  
GEOSCIENTISTS  
MANITOBA**  
Certificate of Authorization  
Crosier Kilgour & Partners Ltd.  
No. 235



Consultant

350-275 Carlton Street  
Winnipeg, Manitoba R3C 5K6  
T 204-943-7501  
F 204-943-7507



Project  
**DAKOTA COMMUNITY CENTRE**  
BUILDING ENVELOPE UPGRADES  
1188 DAKOTA STREET  
WINNIPEG, MB

Sheet Title  
**SECTIONS**

File 2018-1488 Date 2019-02-25

Design CMR Drawn RBC/RJM

Revision Sheet No.

0

S4.2