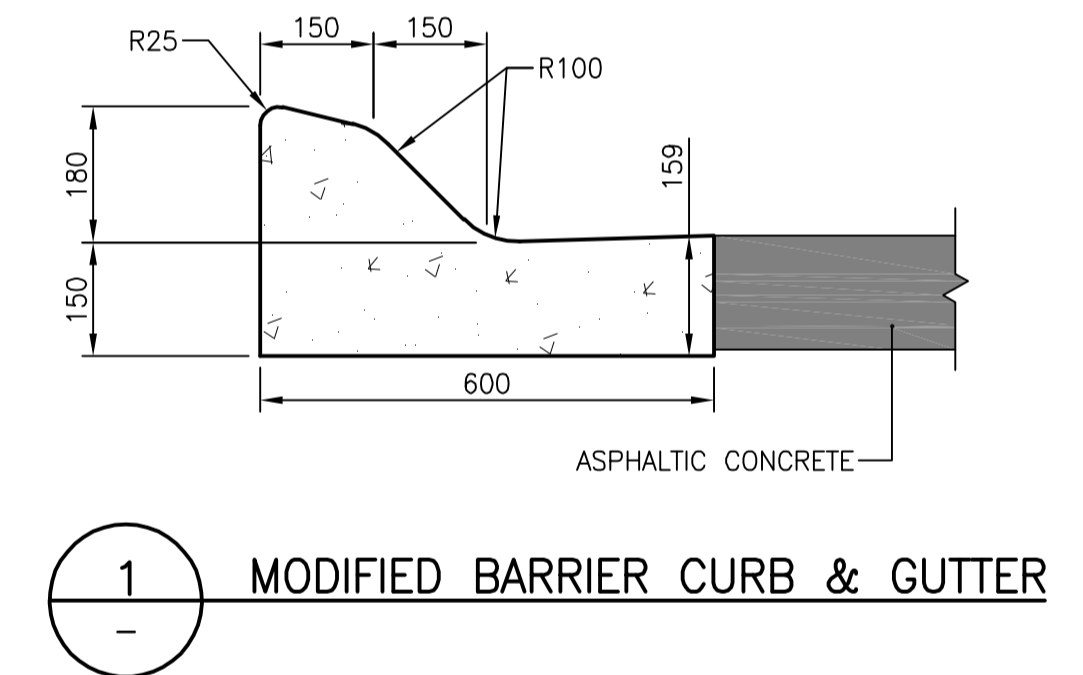
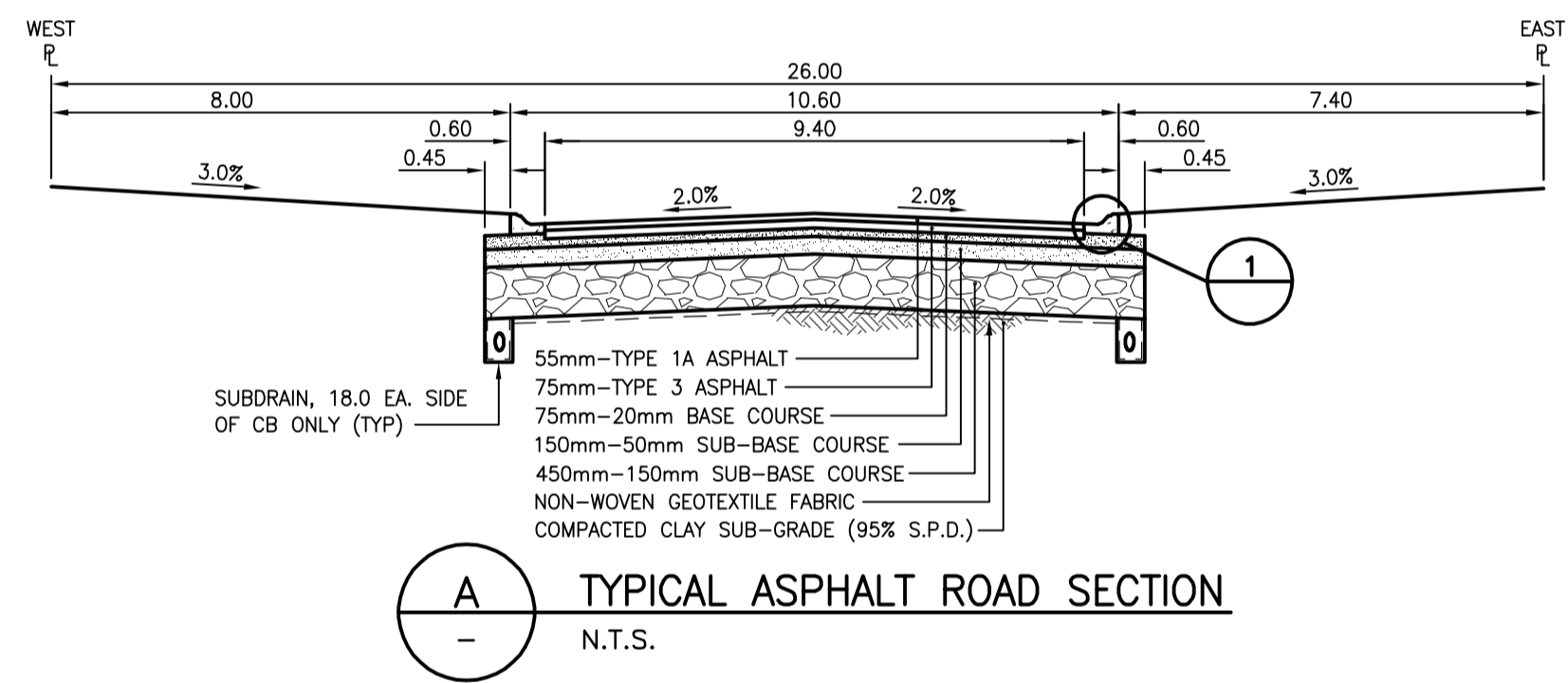
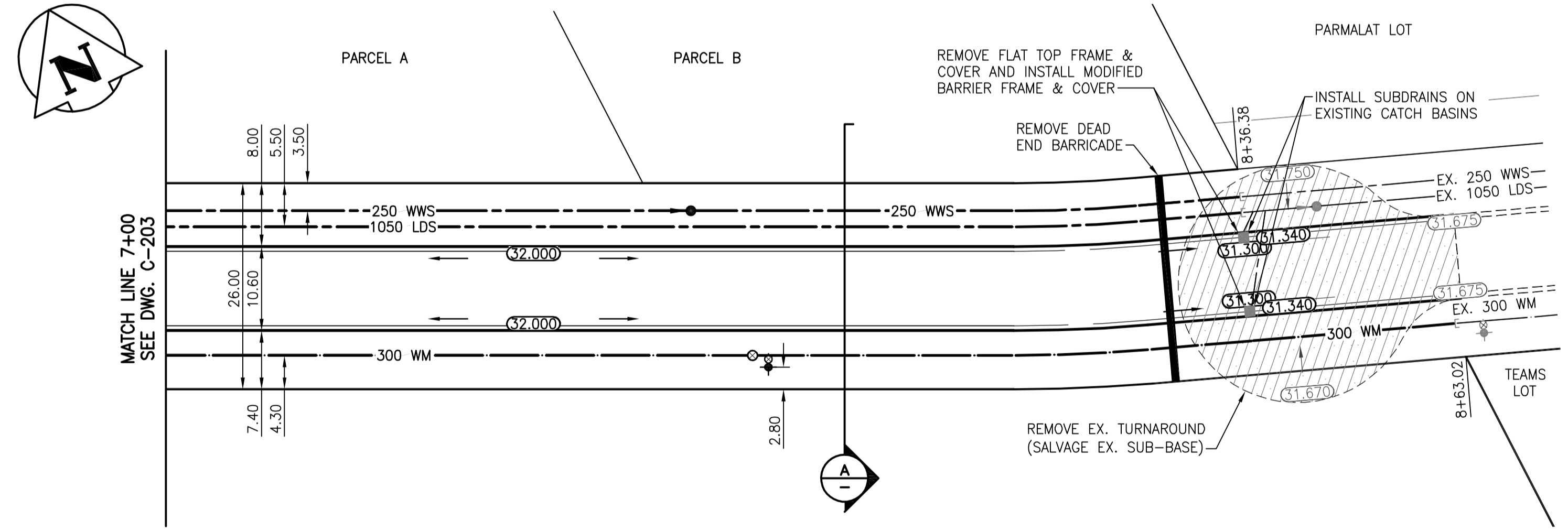


BLACK DIAMOND BOULEVARD



WARNING

IF POWER EQUIPMENT OR EXPLOSIVES ARE TO BE USED FOR EXCAVATION ON THIS PROJECT THE CONTRACTOR MUST:
 1) NOTIFY THE GAS COMPANY OF THE PROPOSED LOCATION OF EXCAVATION.
 2) TAKE PRECAUTION TO AVOID DAMAGE TO GAS COMPANY INSTALLATIONS.
 SEE PROVINCIAL REGULATION 140/92 FOR DETAILS

METRIC

WHOLE NUMBERS INDICATE MILLIMETRES
 DECIMALIZED NUMBERS INDICATE METRES

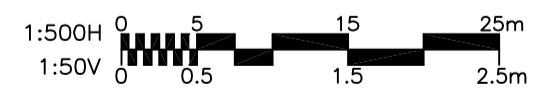
NOTES:

- CHAINAGES SHOWN ARE ALONG CENTERLINE OF ROAD.
- SUBDRAINS 18.00m EACH SIDE OF CATCH BASINS (SD-245).
- ALL PIPE UNDER EXISTING AND FUTURE PAVEMENT ARE INSTALLED BY TRENCHLESS METHODS.
- ALL LONG ASSEMBLY HYDRANTS (SD-006)
 ALL SHORT ASSEMBLY HYDRANTS (SD-007).

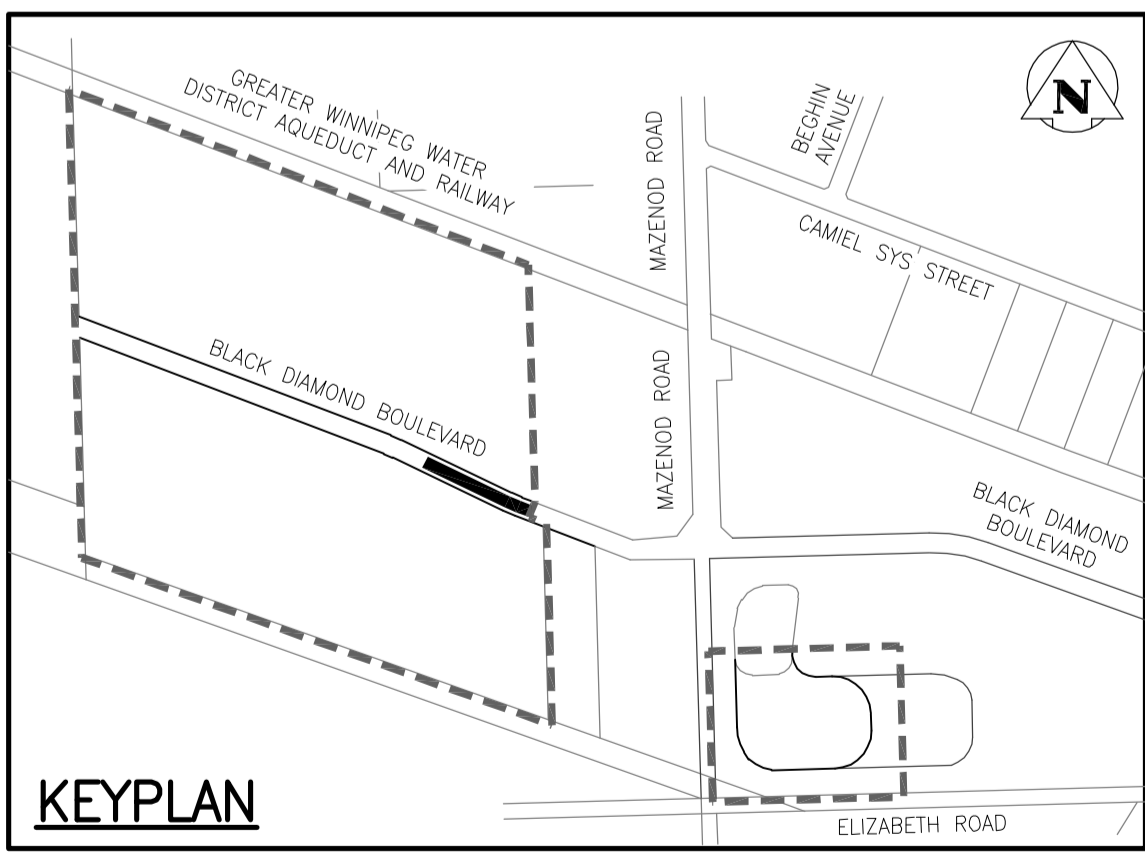
LOCATION APPROVED UNDERGROUND STRUCTURES

150 WM	WATERMAIN	150 WM	HYDRO	150 WM	WATERMAIN	150 WM
+	HYDRANT	+	M.T.S.	+	HYDRANT, VALVE	+
⊗	VALVE	⊗	CONCRETE	⊗	LAND DRAINAGE SEWER	⊗
—○—	LAND DRAINAGE SEWER	—○—	ASPHALT	—○—	WASTE WATER SEWER	—○—
—●—	WASTE WATER SEWER	—●—	SIDEWALK	—○—	PROPERTY LINE	—○—
●	MANHOLE	●	PROPERTY LINE	□	NORTH OR WEST GUTTER	□
■	CATCH BASIN	■	SURVEY BAR	□	SOUTH OR EAST GUTTER	□
▽	CURB INLET	▽	DITCH	◇	NORTH OR WEST R	◇
+	JUNCTIONS	+	ROAD ELEVATION	○	SOUTH OR EAST R	○
—○—	CULVERT	—○—	GAS	△	NORTH OR WEST DITCH	△
—○—	GAS	—○—	LEGEND-PLAN	▽	SOUTH OR EAST DITCH	▽
—○—	EXISTING	—○—	LEGEND-PLAN	—○—	LEGEND-PROFILE	—○—
—○—	PROPOSED	—○—	PROPOSED	—○—	PROPOSED	—○—

BENCHMARK: N.W. Cor. of Mazenod Rd. & G.W.W.D. R.O.W., 19 mm dia. x 4.6 m I.B. in Valve Box, 3.0 m W. of W.L. of Mazenod Rd. & 4.0 m N. of N. rail of tracks in G.W. W.D. R.O.W.



ENGINEERS GEOSCIENTISTS MANITOBA
 Certificate of Authorization
 Stantec Consulting Ltd.
 No. 1301



Stantec
 500 - 311 Portage Avenue, Winnipeg MB Canada R3B 2B9
 Tel. 204.489.5900 Fax. 204.453.9012 www.stantec.com

DESIGNED BY: P.J.S. CHECKED BY: D.P.M.
 DRAWN BY: L.D. APPROVED BY: P.J.S.
 HOR. SCALE: 1:500 VERTICAL: 1:50
 RELEASED FOR CONSTRUCTION: DATE

1 SUBMITTED FOR CITY REVIEW 19.02.21 P.J.S.
 NO. REVISIONS YY.MM.DD. BY DATE 2018 .10 .15

PROVINCE OF MANITOBA REGISTERED PROFESSIONAL ENGINEER
 P.J. SUNDERLAND
 CONSULTANT DRAWING NO. C-204

THE CITY OF WINNIPEG
 ST. BONIFACE INDUSTRIAL PARK - PHASE 2 - STAGE 5
BLACK DIAMOND BOULEVARD
 375m W OF MAZENOD ROAD TO
 200 W OF MAZENOD ROAD

SHEET 7 OF 12
 CAD FILE DRAWING NUMBER 09351C-201_PH2-5.DWG
 CITY DRAWING NUMBER

VA:1680 d:\h\1680351\0300_dfr\h\1680351_0302_sheret_files\02_civil\phase_2-stage_5\09351c-201_ph2-5.dwg 2019/02/25 9:42 AM By: Dalek, Labandara