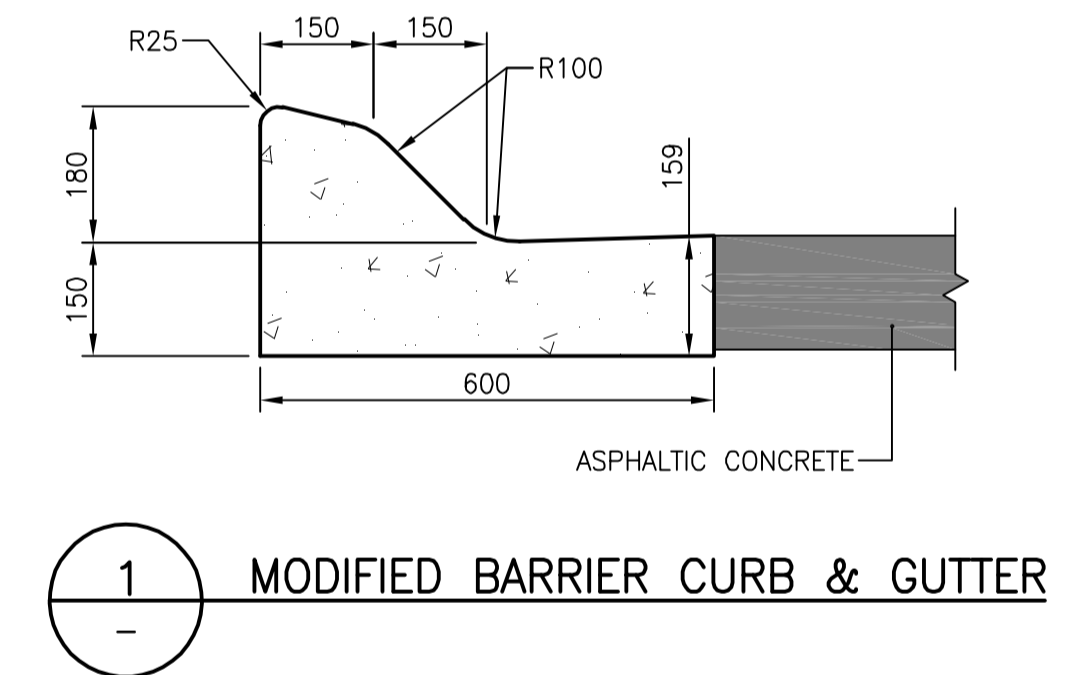
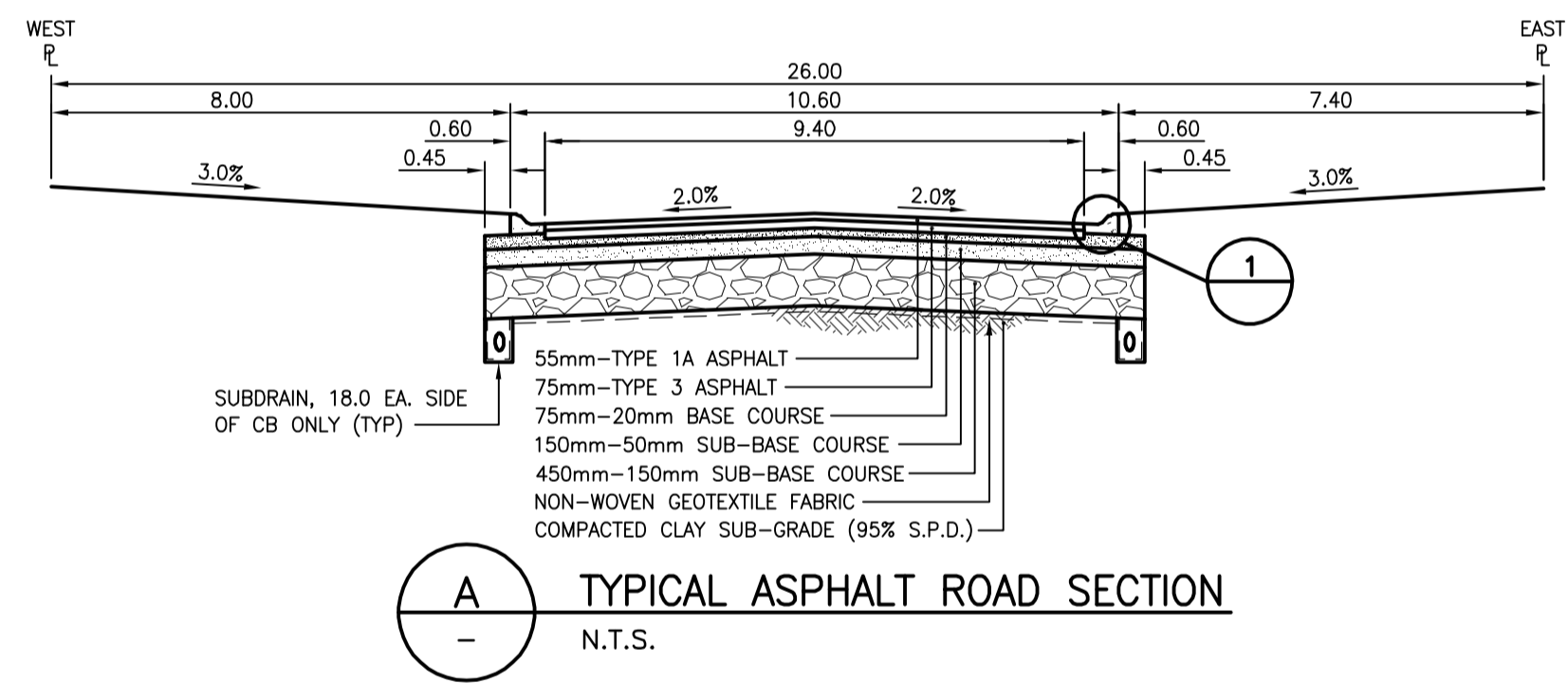
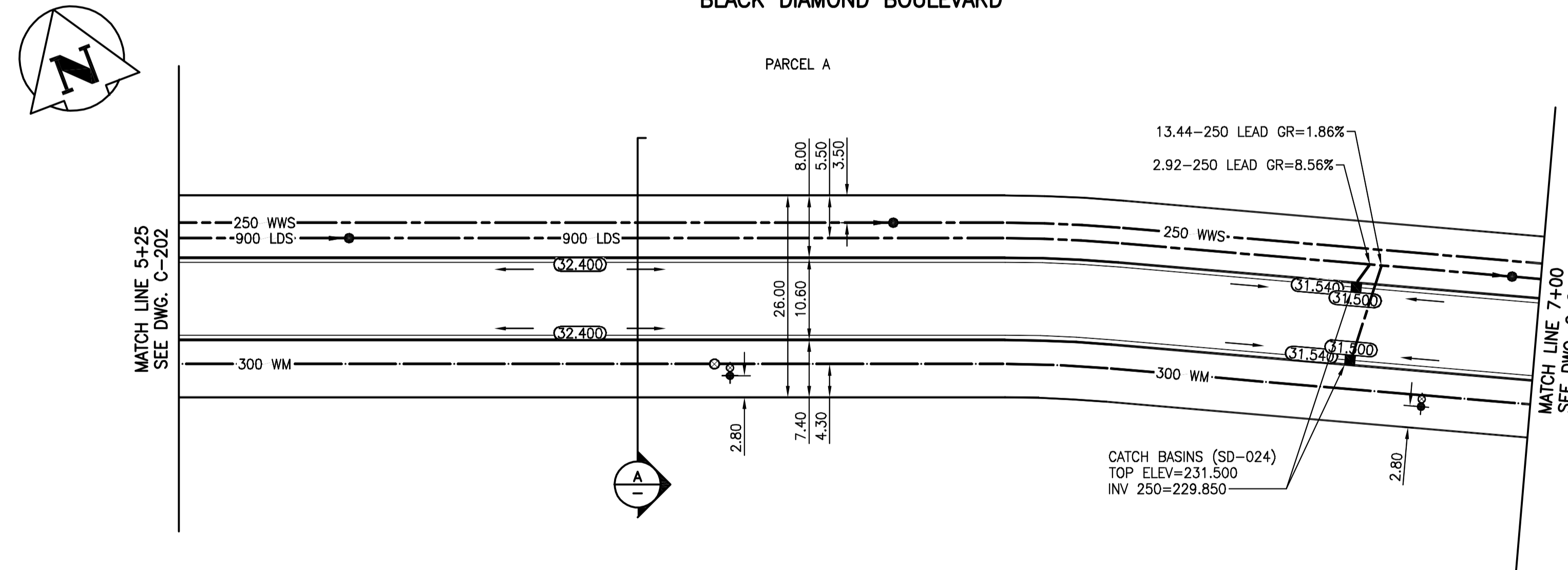


BLACK DIAMOND BOULEVARD



WARNING

IF POWER EQUIPMENT OR EXPLOSIVES ARE TO BE USED FOR EXCAVATION ON THIS PROJECT THE CONTRACTOR MUST:
 1) NOTIFY THE GAS COMPANY OF THE PROPOSED LOCATION OF EXCAVATION.
 2) TAKE PRECAUTION TO AVOID DAMAGE TO GAS COMPANY INSTALLATIONS.
 SEE PROVINCIAL REGULATION 140/92 FOR DETAILS

METRIC

WHOLE NUMBERS INDICATE MILLIMETRES
 DECIMALIZED NUMBERS INDICATE METRES

NOTES:

- CHAINAGES SHOWN ARE ALONG CENTERLINE OF ROAD.
- SUBDRAINS 18.00m EACH SIDE OF CATCH BASINS (SD-245).
- ALL PIPE UNDER EXISTING AND FUTURE PAVEMENT ARE INSTALLED BY TRENCHLESS METHODS.
- ALL LONG ASSEMBLY HYDRANTS (SD-006)
ALL SHORT ASSEMBLY HYDRANTS (SD-007).

150 WM	WATERMAIN	150 WM	HYDRO	150 WM	WATERMAIN	150 WM
+	HYDRANT	+	M.T.S.	+	HYDRANT, VALVE	+
⊗	VALVE	⊗	CONCRETE	⊗	LAND DRAINAGE SEWER	⊗
—○—	LAND DRAINAGE SEWER	—○—	ASPHALT	—○—	WASTE WATER SEWER	—○—
—●—	WASTE WATER SEWER	—●—	SIDEWALK	—●—	Q PROFILE	—●—
●	MANHOLE	●	PROPERTY LINE	□	NORTH OR WEST GUTTER	□
■	CATCH BASIN	■	SURVEY BAR	□	SOUTH OR EAST GUTTER	□
▽	CURB INLET	▽	DITCH	◇	NORTH OR WEST DITCH	◇
—+—	JUNCTIONS	—+—	ROAD ELEVATION	△	SOUTH OR EAST DITCH	△
— —	CULVERT	— —		▽		▽
— —	GAS	— —				
---	EXISTING	---	LEGEND-PLAN	---	PROPOSED	---
---	LEGEND-PLAN	---	PROPOSED	---	EXISTING	---
---	PROPOSED	---	EXISTING	---	LEGEND-PROFILE	---
---	PROPOSED	---	EXISTING	---	PROPOSED	---

LOCATION APPROVED UNDERGROUND STRUCTURES
 SUPV. U/G STRUCTURES COMMITTEE DATE

NOTE:
 LOCATION OF UNDERGROUND STRUCTURES AS SHOWN ARE BASED ON THE BEST INFORMATION AVAILABLE BUT NO GUARANTEE IS GIVEN THAT ALL EXISTING UTILITIES ARE SHOWN OR THAT THE GIVEN LOCATIONS ARE EXACT. CONFIRMATION OF EXISTENCE AND EXACT LOCATION OF ALL SERVICES MUST BE OBTAINED FROM THE INDIVIDUAL UTILITIES BEFORE PROCEEDING WITH CONSTRUCTION.

1	SUBMITTED FOR CITY REVIEW	19.02.21	P.J.S.
NO.	REVISIONS	YY.MM.DD.	BY

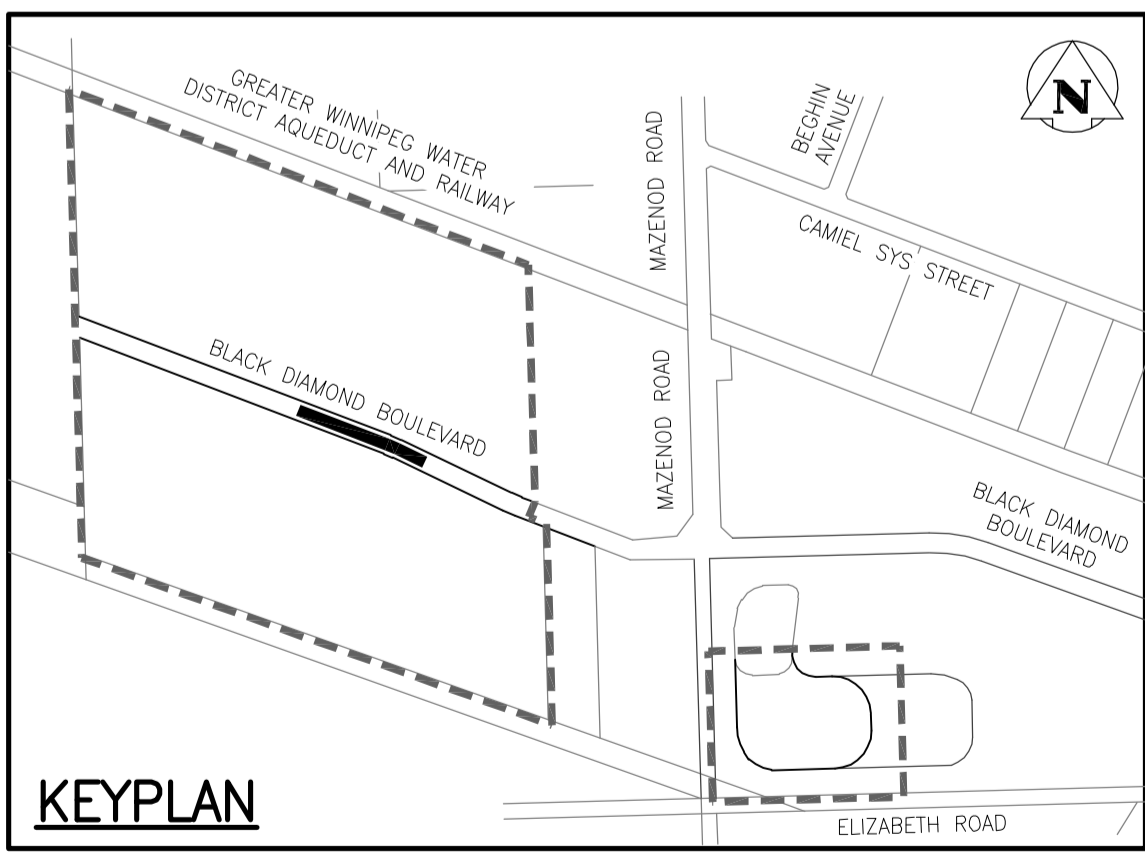
Stantec
 500 - 311 Portage Avenue, Winnipeg MB Canada R3B 2B9
 Tel. 204.489.5900 Fax. 204.453.9012 www.stantec.com

DESIGNED BY: P.J.S. CHECKED BY: D.P.M.
 DRAWN BY: L.D. APPROVED BY: P.J.S.
 HOR. SCALE: 1:500 RELEASED FOR CONSTRUCTION: DATE
 VERTICAL: 1:50

1:500H 0 5 15 25m
 1:50V 0 0.5 1.5 2.5m

ENGINEERS GEOSCIENTISTS MANITOBA
 Certificate of Authorization
 Stantec Consulting Ltd.
 No. 1301

ENGINEER'S SEAL
P.J. SUNDERLAND
 REGISTERED PROFESSIONAL ENGINEER
 CONSULTANT DRAWING NO. C-203



THE CITY OF WINNIPEG
 ST. BONIFACE INDUSTRIAL PARK - PHASE 2 - STAGE 5
BLACK DIAMOND BOULEVARD
 550m W OF MAZENOD ROAD TO
 375m W OF MAZENOD ROAD

SHEET 6 OF 12
 CAD FILE DRAWING NUMBER 09351C-201_PH2-5.DWG
 CITY DRAWING NUMBER

VA:1680 d:\h\1680351\0300_dfr\c\1680351_2-stage_5\09351c-201_ph2-5.dwg
 2019/02/25 9:42 AM By: davek, Labanda