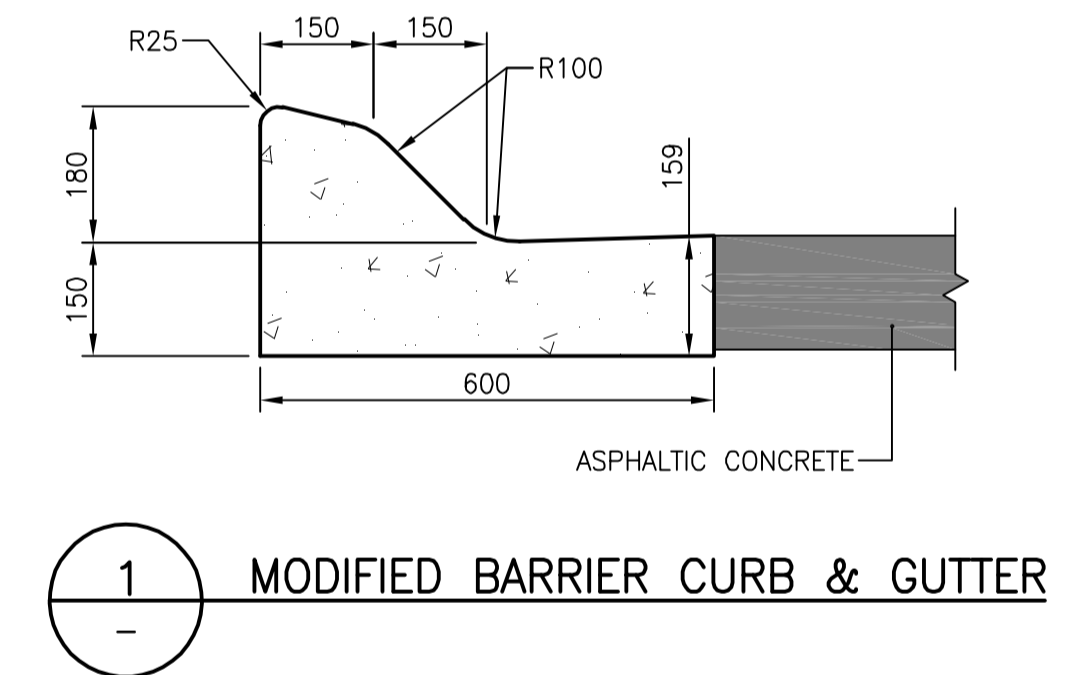
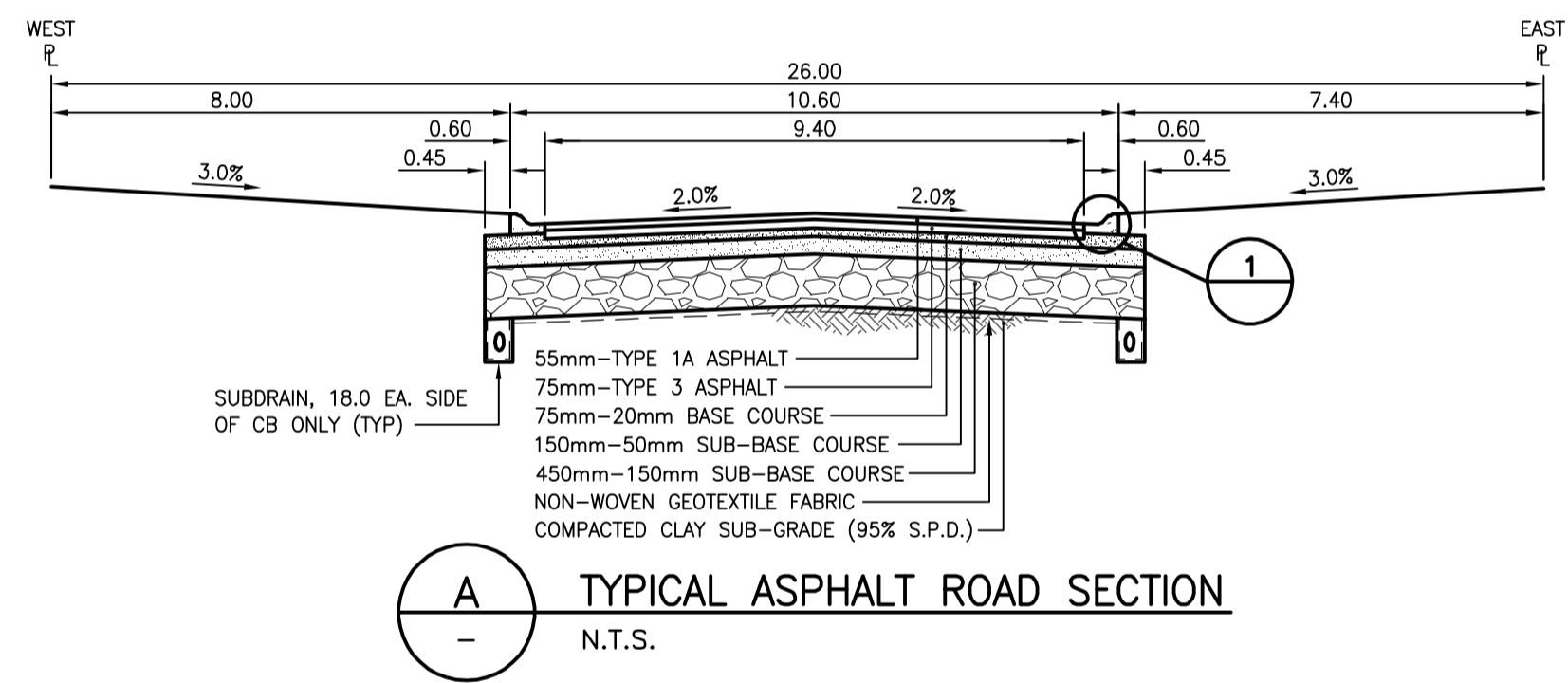
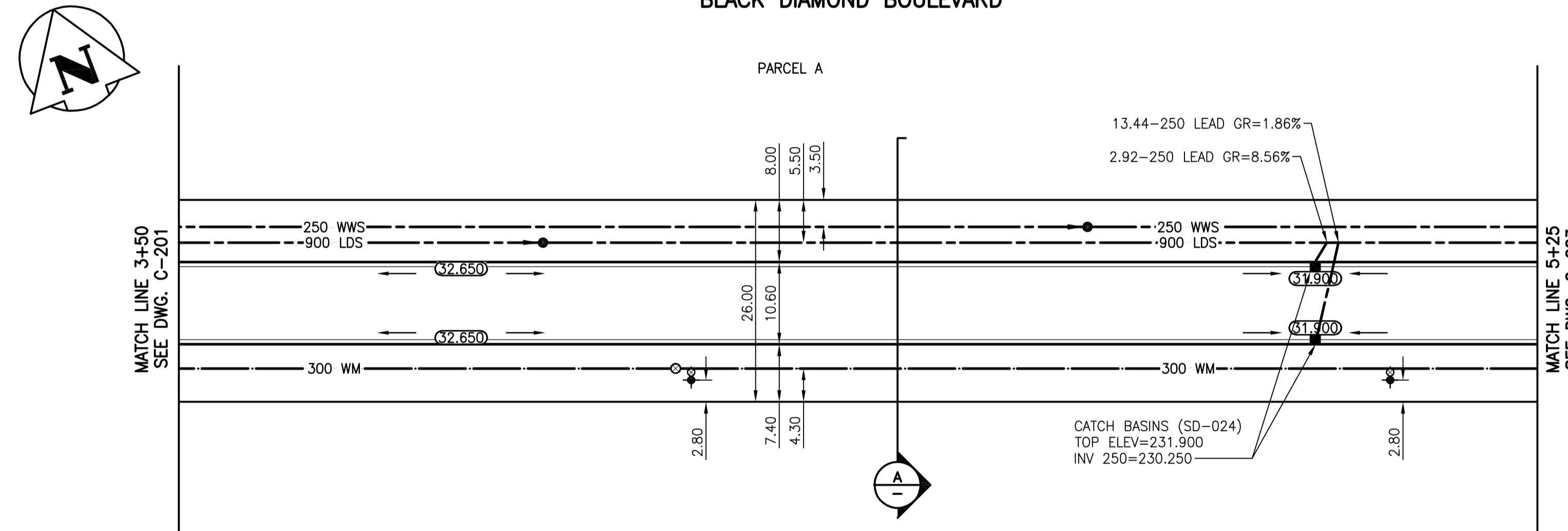


**BLACK DIAMOND BOULEVARD**



**WARNING**

IF POWER EQUIPMENT OR EXPLOSIVES ARE TO BE USED FOR EXCAVATION ON THIS PROJECT THE CONTRACTOR MUST:  
 1) NOTIFY THE GAS COMPANY OF THE PROPOSED LOCATION OF EXCAVATION.  
 2) TAKE PRECAUTION TO AVOID DAMAGE TO GAS COMPANY INSTALLATIONS.  
 SEE PROVINCIAL REGULATION 140/92 FOR DETAILS

**NOTES:**

- CHAINAGES SHOWN ARE ALONG CENTERLINE OF ROAD.
- SUBDRAINS 18.00m EACH SIDE OF CATCH BASINS (SD-245).
- ALL PIPE UNDER EXISTING AND FUTURE PAVEMENT ARE INSTALLED BY TRENCHLESS METHODS.
- ALL LONG ASSEMBLY HYDRANTS (SD-006) ALL SHORT ASSEMBLY HYDRANTS (SD-007).

**METRIC**

WHOLE NUMBERS INDICATE MILLIMETRES  
 DECIMALIZED NUMBERS INDICATE METRES

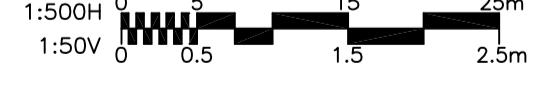
| 150 WM | WATERMAIN           | 150 WM | HYDRO          | 150 WM | WATERMAIN            | 150 WM |
|--------|---------------------|--------|----------------|--------|----------------------|--------|
| +      | HYDRANT             | +      | M.T.S.         | +      | HYDRANT, VALVE       | +      |
| ⊗      | VALVE               | ⊗      | CONCRETE       | ⊗      | LAND DRAINAGE SEWER  | ⊗      |
| —○—    | LAND DRAINAGE SEWER | —○—    | ASPHALT        | —○—    | WASTE WATER SEWER    | —○—    |
| —○—    | WASTE WATER SEWER   | —○—    | SIDEWALK       | —○—    | PROPERTY LINE        | —○—    |
| ●      | MANHOLE             | ●      | PROPERTY LINE  | □      | NORTH OR WEST GUTTER | □      |
| ■      | CATCH BASIN         | ■      | SURVEY BAR     | ○      | SOUTH OR EAST GUTTER | ○      |
| ▼      | CURB INLET          | ▼      | DITCH          | ◇      | NORTH OR WEST R      | ◇      |
| —○—    | JUNCTIONS           | —○—    | ROAD ELEVATION | ○      | SOUTH OR EAST R      | ○      |
| —○—    | CULVERT             | —○—    | LEGEND-PLAN    | △      | NORTH OR WEST DITCH  | △      |
| —○—    | GAS                 | —○—    | PROPOSED       | ▽      | SOUTH OR EAST DITCH  | ▽      |
| —○—    | EXISTING            | —○—    | LEGEND-PLAN    | —○—    | LEGEND-PROFILE       | —○—    |
| —○—    | PROPOSED            | —○—    | EXISTING       | —○—    | PROPOSED             | —○—    |

**LOCATION APPROVED UNDERGROUND STRUCTURES**

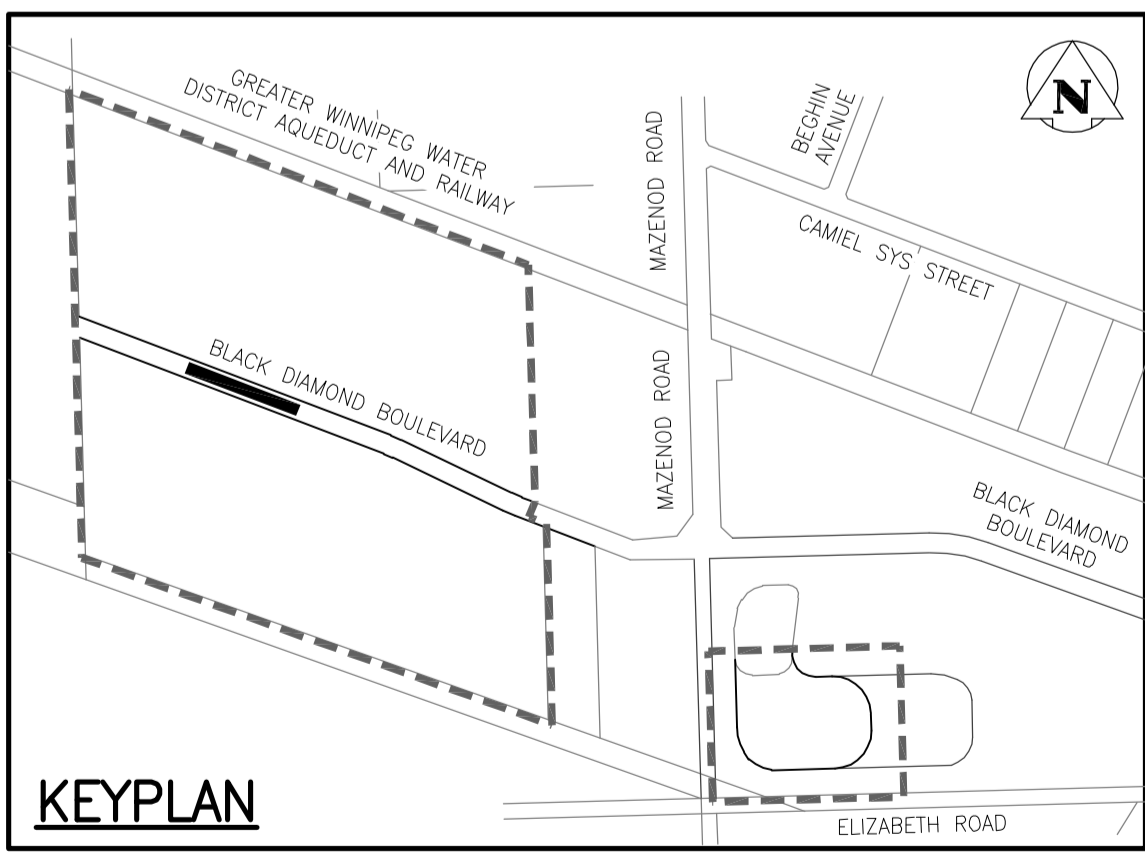
SUPV. U/G STRUCTURES COMMITTEE DATE

NOTE:  
 LOCATION OF UNDERGROUND STRUCTURES AS SHOWN ARE BASED ON THE BEST INFORMATION AVAILABLE BUT NO GUARANTEE IS GIVEN THAT ALL EXISTING UTILITIES ARE SHOWN OR THAT THE GIVEN LOCATIONS ARE EXACT. CONFIRMATION OF EXISTENCE AND EXACT LOCATION OF ALL SERVICES MUST BE OBTAINED FROM THE INDIVIDUAL UTILITIES BEFORE PROCEEDING WITH CONSTRUCTION.

BENCHMARK: N.W. Cor. of Mazenod Rd. & G.W.W.D. R.O.W., 19 mm dia. x 4.6 m I.B. in Valve Box, 3.0 m W. of W.L. of Mazenod Rd. & 4.0 m N. of N. rail of tracks in G.W. W.D. R.O.W.



**ENGINEERS GEOSCIENTISTS MANITOBA**  
 Certificate of Authorization  
 Stantec Consulting Ltd.  
 No. 1301



**Stantec**  
 500 - 311 Portage Avenue, Winnipeg MB Canada R3B 2B9  
 Tel. 204.489.5900 Fax. 204.453.9012 www.stantec.com

DESIGNED BY: P.J.S. CHECKED BY: D.P.M.  
 DRAWN BY: L.D. APPROVED BY: P.J.S.  
 HOR. SCALE: 1:500 VERTICAL: 1:50  
 DATE: 2018 .10 .15

**PROVINCE OF MANITOBA REGISTERED PROFESSIONAL ENGINEER**  
 P.J. SUNDERLAND  
 CONSULTANT DRAWING NO. C-202

**THE CITY OF WINNIPEG**  
 ST. BONIFACE INDUSTRIAL PARK - PHASE 2 - STAGE 5  
**BLACK DIAMOND BOULEVARD**  
 725m W OF MAZENOD ROAD TO 550m W OF MAZENOD ROAD

SHEET 5 OF 12  
 CAD FILE DRAWING NUMBER 09351C-201\_PH2-5.DWG  
 CITY DRAWING NUMBER

VA:1680\p1\1680351\0300\_dwg\p1\1680351\_0302\_sheret\_files\02\_civil\p1\phase\_2-stage\_5\09351c-201\_ph2-5.dwg  
 2019/02/25 9:42 AM By: Derek Labanda