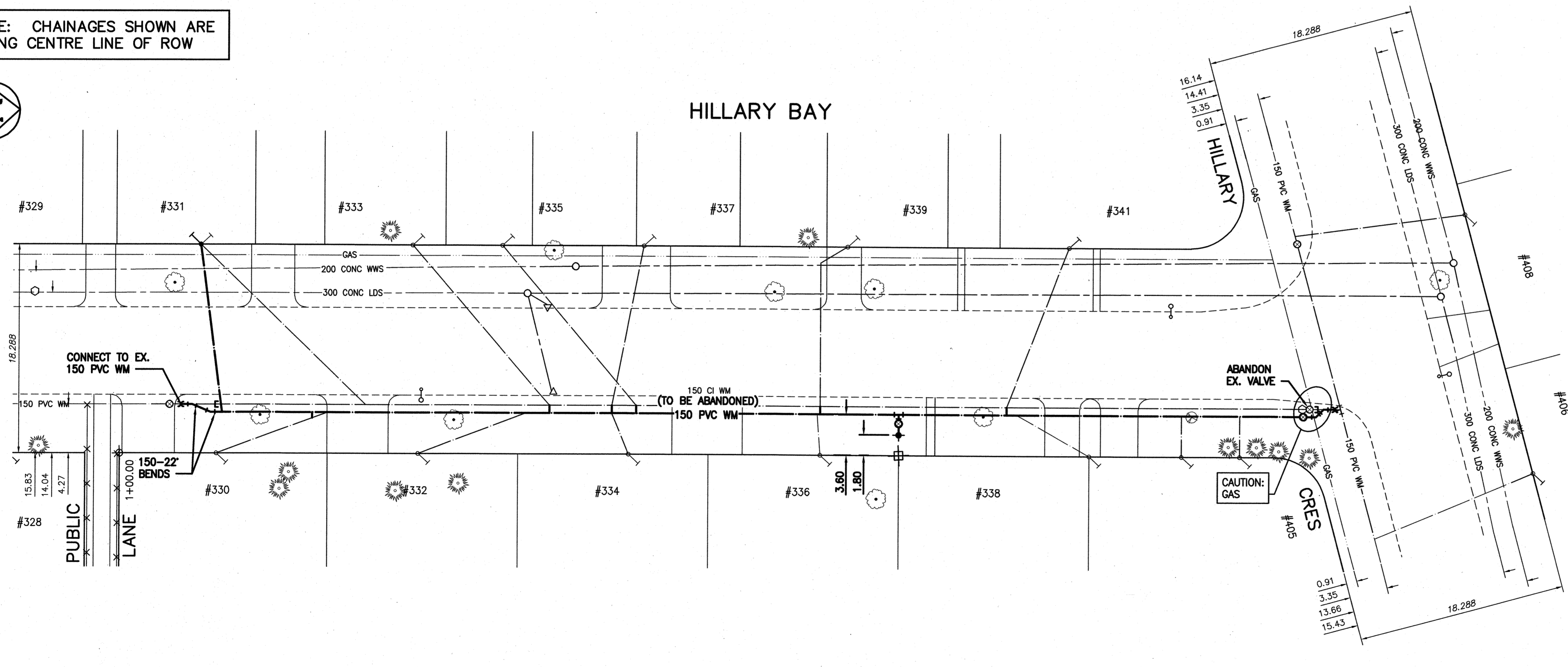
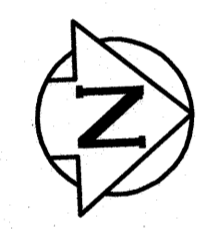


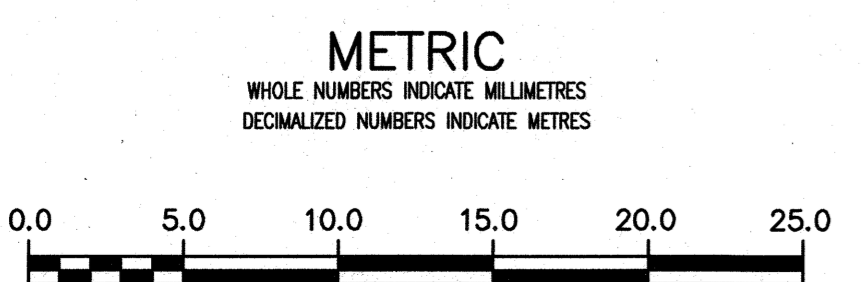
NOTE: CHAINAGES SHOWN ARE ALONG CENTRE LINE OF ROW



ADDRESS	PIPE SIZE & MATERIAL (STREET)	PIPE SIZE & MATERIAL (PROP.)	SHORT & LONG MEASUREMENT	CORP. LOCATION	REMARKS
330 HILLARY BAY	20	-	8.75 S/NBL	31.39 N OF 1ST HYD	RECONNECT SERVICE
RESIDENTIAL	CU	-	-	N OF HILLARY BAY S LEG	-
* 331 HILLARY BAY	20	-	6.74 N/SBL	32.92 N OF 1ST HYD	RENEW SERVICE
RESIDENTIAL	CU	-	-	N OF HILLARY BAY S LEG	-
332 HILLARY BAY	20	-	8.78 S/NBL	48.77 N OF 1ST HYD	RECONNECT SERVICE
RESIDENTIAL	CU	-	-	N OF HILLARY BAY S LEG	-
333 HILLARY BAY	20	-	10.49 N/SBL	48.77 N OF 1ST HYD	RECONNECT SERVICE
RESIDENTIAL	CU	-	-	N OF HILLARY BAY S LEG	-
334 HILLARY BAY	20	-	4.18 S/NBL	60.96 S OF VALVE AT HILLARY CRES	RECONNECT SERVICE
RESIDENTIAL	CU	-	-	-	-
335 HILLARY BAY	20	-	4.39 N/SBL	58.52 N OF 1ST HYD	RECONNECT SERVICE
RESIDENTIAL	CU	-	-	N OF HILLARY S LEG	-
336 HILLARY BAY	20	-	6.31 S/NBL	44.5 S OF VALVE AT HILLARY CRES	RECONNECT SERVICE
RESIDENTIAL	CU	-	-	-	-
337 HILLARY BAY	20	-	1.65 S/SBL	60.96 S OF VALVE AT HILLARY CRES	RECONNECT SERVICE
RESIDENTIAL	CU	-	-	-	-
338 HILLARY BAY	20	-	-	25.91 S OF VALVE AT HILLARY CRES	RECONNECT SERVICE
RESIDENTIAL	CU	-	-	-	-
339 HILLARY BAY	20	-	0.91 S/SBL	44.5 S OF VALVE AT HILLARY CRES	RECONNECT SERVICE
RESIDENTIAL	CU	-	-	-	-
341 HILLARY BAY	20	-	5.18 N/SBL	25.91 S OF VALVE AT HILLARY CRES	RECONNECT SERVICE
RESIDENTIAL	CU	-	-	-	-
403 HILLARY BAY	-	-	3.66 N/SBL	-	RECONNECT SERVICE
RESIDENTIAL	-	-	-	-	-
405 HILLARY BAY	-	-	0.91 S/NBL	-	RECONNECT SERVICE
RESIDENTIAL	-	-	-	-	-

* SERVICES TO BE RENEWED TO R

NOTE: VALVES TO BE INSTALLED CLOCKWISE TO CLOSE



ENGINEERS GEOSCIENTISTS MANITOBA
 Certificate of Authorization
 Stantec Consulting Ltd.
 No. 1301

LOCATION APPROVED UNDERGROUND STRUCTURES
 SUPV. U/G STRUCTURES COMMITTEE DATE
 NOTE: LOCATION OF UNDERGROUND STRUCTURES AS SHOWN ARE BASED ON THE BEST INFORMATION AVAILABLE BUT NO GUARANTEE IS GIVEN THAT ALL EXISTING UTILITIES ARE SHOWN OR THAT THE GIVEN LOCATIONS ARE EXACT. CONFIRMATION OF EXISTENCE AND EXACT LOCATION OF ALL SERVICES MUST BE OBTAINED FROM THE INDIVIDUAL UTILITIES BEFORE PROCEEDING WITH CONSTRUCTION.

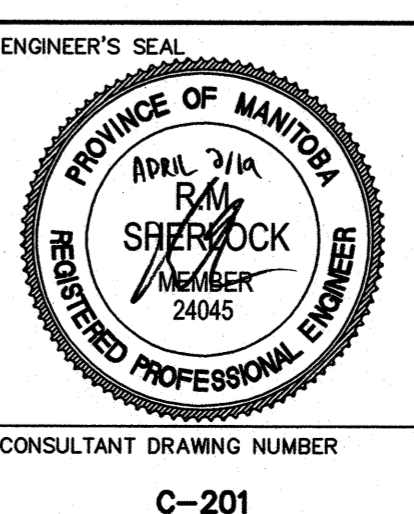
B.M. 40-38 ELEV. 238.518m	IN MEDIAN OF HAMILTON AVE. @ WALKWAY TO NORMANDY DR. B/W/ CHALKER DR. & CHURMAN RD. 103.1 TOP OF GROUND-WALL IRON PIPE, 14.3M S. OF N.L. OF HAMILTON AVE. & 0.75M	
NO.	REVISIONS	DATE BY
02	ISSUED FOR TENDER	2019.04.02 RS
01	ISSUED FOR 30% REVIEW	2019.02.22 RS

Stantec

DESIGNED BY: RS
 CHECKED BY: RS
 DRAWN BY: SC
 APPROVED BY: RS

SCALE:
 HORIZONTAL 1:250
 VERTICAL 1:50

DATE: 2019.01.15
 PLOT DATE: 2019.04.01



THE CITY OF WINNIPEG
 WATER AND WASTE DEPARTMENT
 ENGINEERING DIVISION

2019 WATERMAIN RENEWALS
 CONTRACT 5
 HILLARY BAY
 STA. 1+00 TO HILLARY CRES (N LEG)

SHEET 02 OF 17
 CITY DRAWING NUMBER D-15428