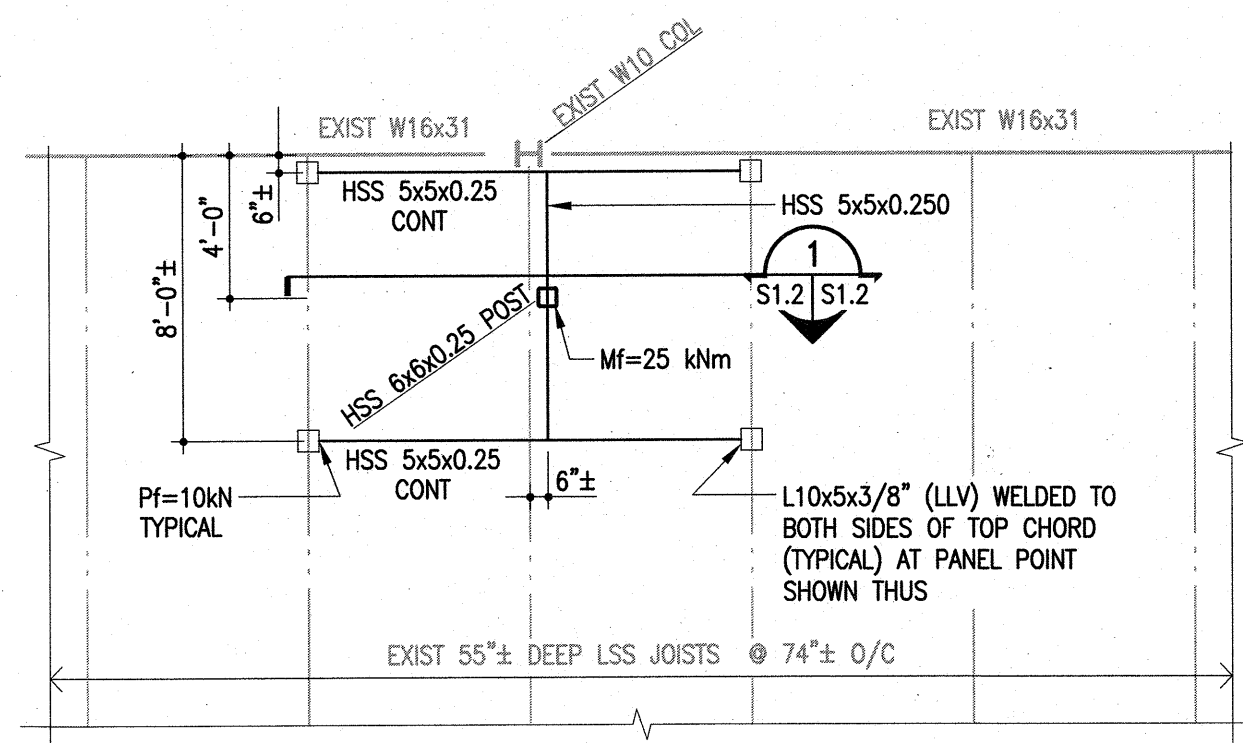


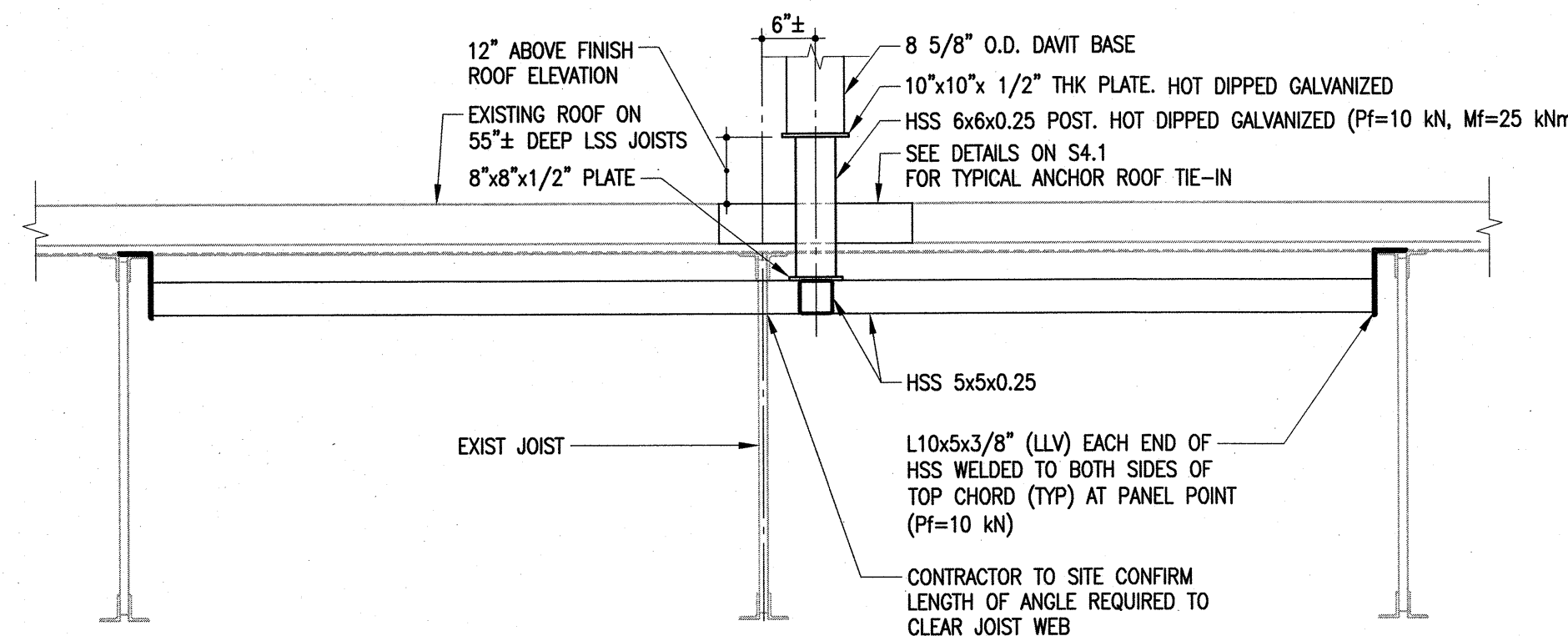
ROOF PLAN
NTS

PLAN NOTES

- ① EXHAUST STACK. PROVIDE 12'-0" FREE STANDING GUARD RAIL
 - ② PROVIDE NEW DAVIT 1500LB CAPACITY. 4'-0" CLEAR REACH. PROVIDE FREE STANDING GUARDRAIL C/W 6'-0" LOCKABLE GATE. LOCATE CENTER OF GATE 8'-0" FROM DAVIT BASE. SEE DETAIL A/S1.0
 - ③ EXHAUST FAN. PROVIDE 10'-0" x 10'-0" FREE STANDING GUARD RAIL
 - ④ MECHANICAL UNIT. PROVIDE 24'-0" FREE STANDING GUARD RAIL
 - ⑤ MECHANICAL UNIT. PROVIDE 20'-0" FREE STANDING GUARD RAIL
 - ⑥ EXHAUST STACK. PROVIDE 12'-0" FREE STANDING GUARD RAIL
 - ⑦ EXHAUST STACK. PROVIDE CONTINUOUS FREE STANDING GUARD RAIL 3 SIDES OF LOW ROOF
 - ⑧ EXHAUST STACKS. PROVIDE 12'-0" FREE STANDING GUARD RAIL
 - ⑨ EXHAUST STACKS. PROVIDE 12'-0" FREE STANDING GUARD RAIL
 - ⑩ EXHAUST STACKS. PROVIDE 12'-0" FREE STANDING GUARD RAIL
- DENOTES GUARDRAIL



A PARTIAL ROOF DAVIT BASE FRAMING PLAN
S1.2 | S1.2 | 3/16" = 1'-0"



1 DAVIT BASE FRAMING SECTION
S1.2 | S1.2 | 1/2" = 1'-0"

The General Contractor shall check & verify all dimensions and report any errors or omissions to the designers.

No.	Date	Issue/Revision	By
0	2019-05-03	ISSUED FOR CONSTRUCTION	IM

**ENGINEERS
GEOLOGISTS
MANITOBA**
Certificate of Authorization
Crosier Kilgour & Partners Ltd.
No. 235



Consultant

300-275 Carlton Street
Winnipeg, Manitoba R3C 5R6
T 204. 943. 7501
F 204. 943. 7507

**Crosier Kilgour
& Partners Ltd.**
CONSULTING STRUCTURAL ENGINEERS

Project
**WINNIPEG TRANSIT
ROOF FALL ARREST MEASURES
BID OPPORTUNITY 236-2019
BRANDON GARAGE
600 BRANDON AVENUE
WINNIPEG, MANITOBA**

Sheet Title
ROOF PLANS, AND SECTION

File	2018-0794	Date	2019-05-03
Design	IM	Drawn	CJM

Revision	0	Sheet No.	S1.2
----------	---	-----------	------