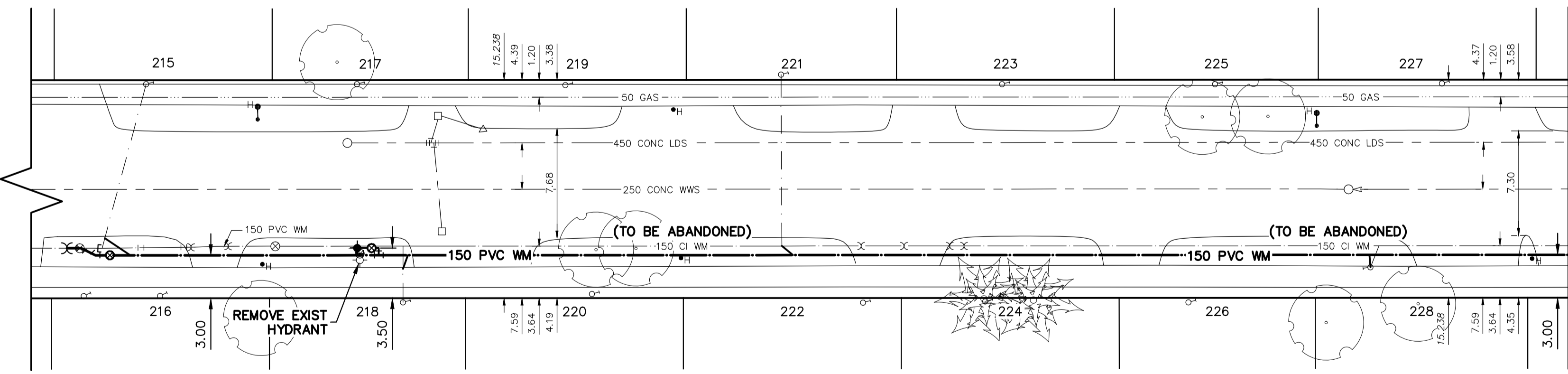
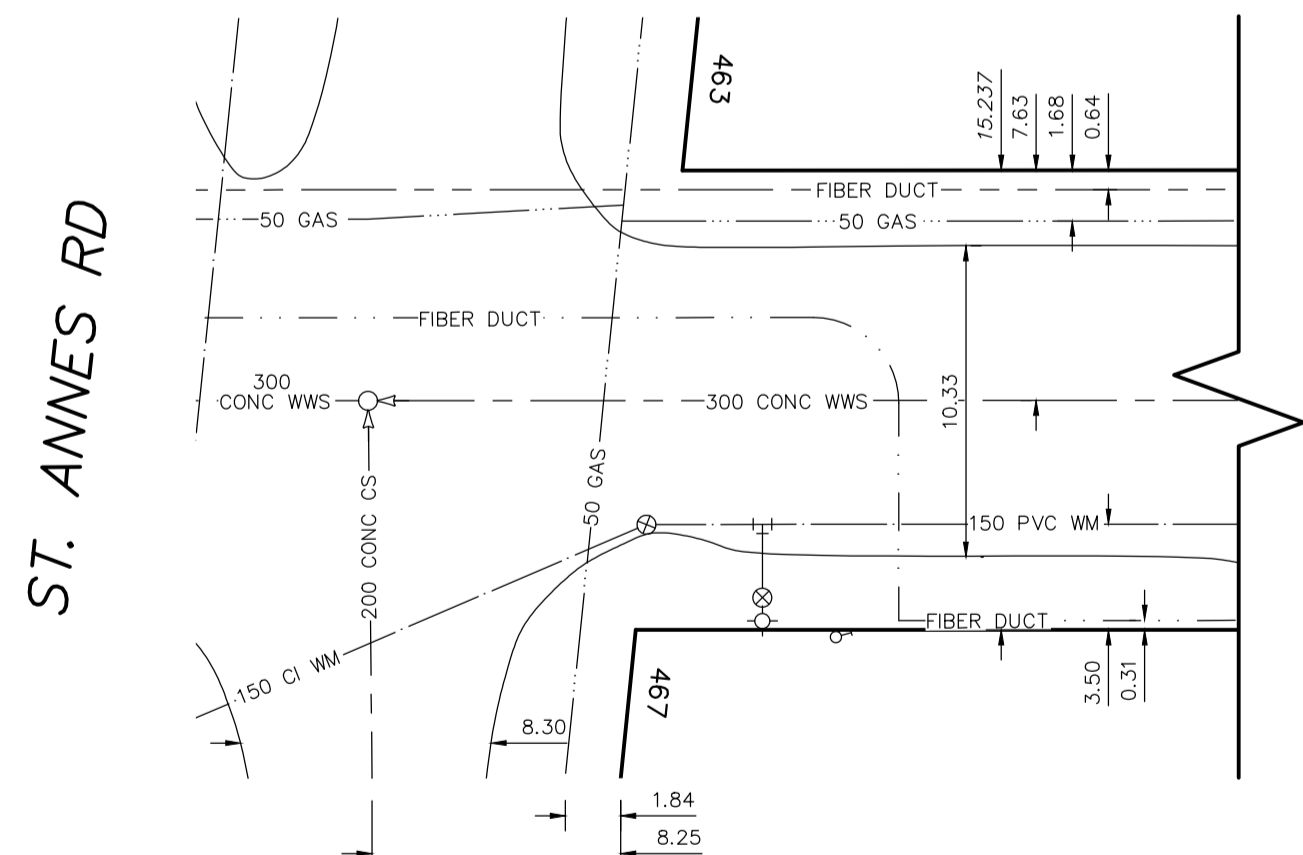
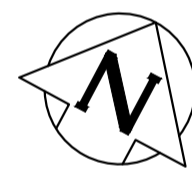


NOTE: CHAINAGES SHOWN ARE ALONG S. R. OF HINDLEY AVENUE

HINDLEY AVENUE

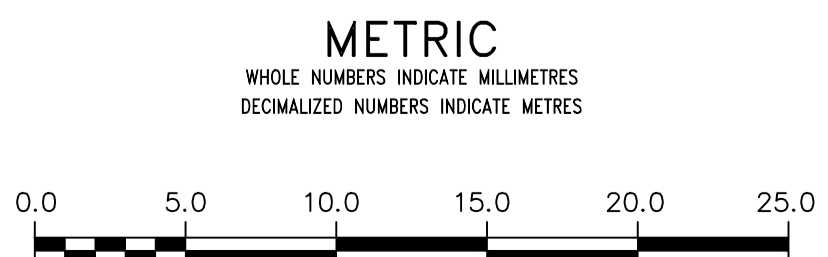


MATCHLINE 3+50.000
SEE DWG D-15472

FOR WATER SERVICE TABLE SEE D-15472

FOR INDEX SEE D-15470

NOTE: ALL VALVES TO BE INSTALLED CLOCKWISE TO CLOSE



WARNING
IF POWER EQUIPMENT OR EXPLOSIVES ARE TO BE USED FOR EXCAVATION ON THIS PROJECT THE CONTRACTOR MUST:
1) NOTIFY THE GAS COMPANY OF THE PROPOSED LOCATION OF EXCAVATION.
2) TAKE PRECAUTION TO AVOID DAMAGE TO GAS COMPANY INSTALLATIONS.
SEE PROVINCIAL REGULATION 210/72 FOR DETAILS

LOCATION APPROVED UNDERGROUND STRUCTURES
SUPV. U/G STRUCTURES COMMITTEE DATE
NOTE:
LOCATION OF UNDERGROUND STRUCTURES AS SHOWN ARE BASED ON THE BEST INFORMATION AVAILABLE BUT NO GUARANTEE IS GIVEN THAT ALL EXISTING UTILITIES ARE SHOWN OR THAT THE GIVEN LOCATIONS ARE EXACT. CONFIRMATION OF EXISTENCE AND EXACT LOCATION OF ALL UTILITIES MUST BE OBTAINED FROM THE INDIVIDUAL UTILITIES BEFORE PROCEEDING WITH CONSTRUCTION.

NO.	REVISIONS	DATE	BY

DESIGNED BY	TGS	CHECKED BY	SC
DRAWN BY	BL	APPROVED BY	KZ
SCALE:	RELEASED FOR CONSTRUCTION		
HORIZONTAL 1:250	K.ZUREK		
VERTICAL 1:50	DATE 2019 04 05		
DATE 2019 04 08	PLOT DATE: 2019 04 08		

ENGINEER'S SEAL
ORIGINAL SIGNED BY
S.R.J. COURNOYER
19/04/04
CONSULTANT DRAWING NUMBER

THE CITY OF WINNIPEG
WATER AND WASTE DEPARTMENT
ENGINEERING DIVISION
2019 WATER MAIN RENEWALS
CONTRACT 4
HINDLEY AVENUE
255 E OF HINDLEY AVENUE TO
350 E OF HINDLEY AVENUE

SHEET 3 OF 12
CITY DRAWING NUMBER
D-15471