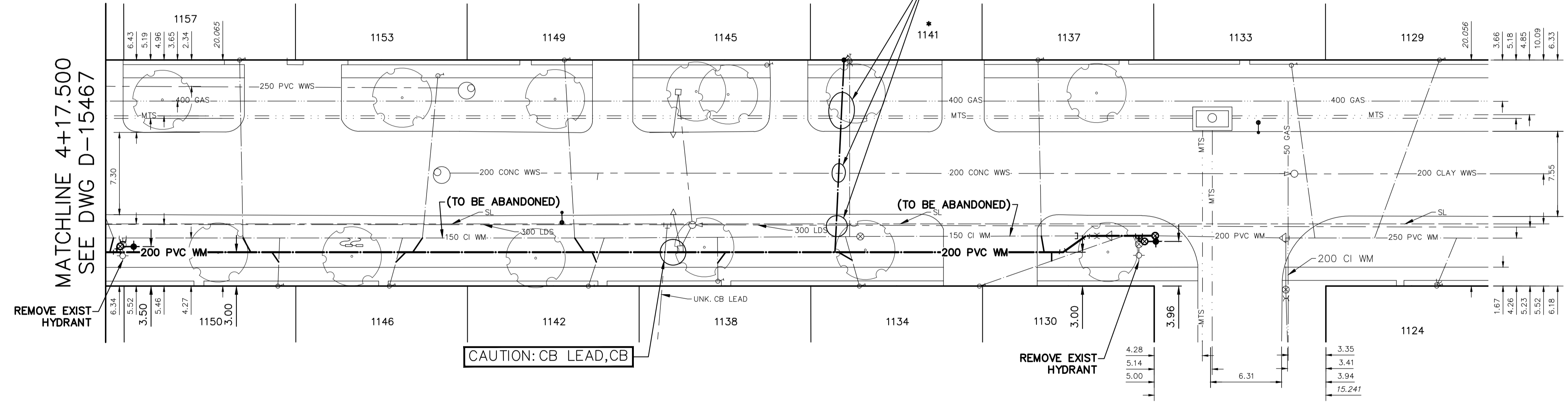


NOTE: CHAINAGES SHOWN ARE ALONG S. R. OF WALLER AVENUE



WALLER AVENUE

CAUTION: GAS, LDS, WWS
SL, MTS (TYP FOR ALL)



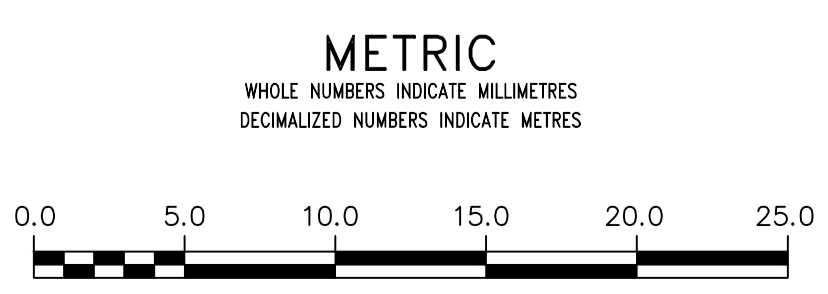
WATER SERVICE INFORMATION

ADDRESS	SIZE (mm) MATERIAL (STREET)	SIZE (mm) MATERIAL (PROP.)	SHORT & LONG MEASUREMENT	CORP. LOCATION	REMARKS
1157 WALLER ST	-	-	2.10 WEL HSE	0.3 E OF S/C	RECONNECT SERVICE
1153 WALLER ST	20	20	81,227 WWL MARSHALL CR	1.4 W OF S/C	RECONNECT SERVICE
1150 WALLER ST	20	20	1.78 WEL HSE	0.3 E OF S/C	RECONNECT SERVICE
1149 WALLER ST	20	20	63,658 WWL MARSHALL CR	1.0 E OF S/C	RECONNECT SERVICE
1148 WALLER ST	20	20	OPP EL HSE	-	RECONNECT SERVICE
1146 WALLER ST	20	20	77,779 WWL MARSHALL CR	1.0 E OF S/C	RECONNECT SERVICE
1145 WALLER ST	20	20	1.44 WEL HSE	-	RECONNECT SERVICE
1144 WALLER ST	20	20	52,314 WWL MARSHALL CR	1.2 E OF S/C	RECONNECT SERVICE
1142 WALLER ST	20	20	67,877 WWL MARSHALL CR	1.4 E OF S/C	RECONNECT SERVICE
1141 WALLER ST	20	20	OPP EL HSE	-	RECONNECT SERVICE
1138 WALLER ST	20	20	34,444 WWL MARSHALL CR	1.4 E OF S/C	RECONNECT SERVICE
1137 WALLER ST	20	20	6.83 EWL HSE	0.3 E OF S/C	RECONNECT SERVICE
1134 WALLER ST	20	20	50,225 WWL MARSHALL CR	1.3 W OF S/C	RECONNECT SERVICE
1133 WALLER ST	20	20	1.77 EWL HSE	0.3 E OF S/C	RECONNECT SERVICE
1130 WALLER ST	20	20	27,005 WWL MARSHALL CR	1.3 W OF S/C	RECONNECT SERVICE
1129 WALLER ST	20	20	6.25 EWL HSE	0.3 E OF S/C	RECONNECT SERVICE
1128 WALLER ST	20	20	38,713 WWL MARSHALL CR	1.3 W OF S/C	RECONNECT SERVICE
1124 WALLER ST	20	20	1.05 EWL HSE	0.3 E OF S/C	RECONNECT SERVICE
1123 WALLER ST	20	20	10,365 WWL MARSHALL CR	1.3 W OF S/C	RECONNECT SERVICE
1122 WALLER ST	20	20	6.25 WEL HSE	0.3 E OF S/C	RECONNECT SERVICE
1121 WALLER ST	20	20	26,112 WWL MARSHALL CR	1.3 W OF S/C	RECONNECT SERVICE
1120 WALLER ST	20	20	1.30 WEL HSE	0.3 E OF S/C	RECONNECT SERVICE
1119 WALLER ST	20	20	12,179 WWL MARSHALL CR	1.3 W OF S/C	RECONNECT SERVICE
1118 WALLER ST	20	20	6.44 WWL HSE	12.8 E OF S/C	RECONNECT SERVICE
1117 WALLER ST	20	20	15,538 WWL MARSHALL CR	12.8 E OF S/C	RECONNECT SERVICE
1116 WALLER ST	20	20	0.59 EWL HSE	5.7 W OF S/C	RECONNECT SERVICE
1115 WALLER ST	20	20	25,236 WWL MARSHALL CR	5.7 W OF S/C	RECONNECT SERVICE
20 DONNELLY AVE	-	-	5.10 SNC BLDG	-	RECONNECT SERVICE
1 FARWELL BY	20	20	52,376 SSL WALLER ST	-	RECONNECT SERVICE
2 FARWELL BY	20	20	0.59 EWL HSE	0.3 W OF S/C	OUTSIDE RENEWAL LIMITS
3 FARWELL BY	20	20	6.104 WWL DONNELLY AVE	0.3 W OF S/C	OUTSIDE RENEWAL LIMITS
4 FARWELL BY	20	20	8.32 EWL HSE	0.3 W OF S/C	OUTSIDE RENEWAL LIMITS
5 FARWELL BY	20	20	5.825 WWL DONNELLY AVE	0.3 W OF S/C	OUTSIDE RENEWAL LIMITS

* SERVICES TO BE RENEWED TO R. ALL OTHERS TO BE RECONNECTED

NOTE: ALL VALVES TO BE INSTALL
CLOCKWISE TO CLOSE

FOR INDEX SEE
15456



WARNING
IF POWER EQUIPMENT OR EXPLOSIVES ARE TO BE USED FOR EXCAVATION ON THIS PROJECT THE CONTRACTOR MUST:
1) NOTIFY THE GAS COMPANY OF THE PROPOSED LOCATION OF EXCAVATION.
2) TAKE PRECAUTION TO AVOID DAMAGE TO GAS COMPANY INSTALLATIONS.
SEE PROVINCIAL REGULATION 210/72 FOR DETAILS

LOCATION APPROVED
UNDERGROUND STRUCTURES
SUPV. U/G STRUCTURES COMMITTEE DATE
NOTE:
LOCATION OF UNDERGROUND STRUCTURES AS SHOWN ARE BASED ON THE BEST INFORMATION AVAILABLE BUT NO GUARANTEE IS GIVEN THAT ALL EXISTING UTILITIES ARE SHOWN OR THAT THE GIVEN LOCATIONS ARE EXACT. CONFIRMATION OF EXISTENCE AND EXACT LOCATION OF ALL UTILITIES MUST BE OBTAINED FROM THE INDIVIDUAL UTILITIES BEFORE PROCEEDING WITH CONSTRUCTION.

B.M. ELEV.	NO.	REVISIONS	DATE	BY

DESIGNED BY	TGS	CHECKED BY	SC
DRAWN BY	RS	APPROVED BY	KZ
SCALE:	HORIZONTAL 1:250	RELEASED FOR CONSTRUCTION	KAS ZUREK
	VERTICAL 1:50	DATE	2019-05-13
DATE	2019 05 14	DATE	2019-05-13
PLOT DATE:	2019 05 14		

ENGINEER'S SEAL
ORIGINAL SIGNED BY
S.R.J COURNOYER
19/05/13
CONSULTANT DRAWING NUMBER

THE CITY OF WINNIPEG
WATER AND WASTE DEPARTMENT
ENGINEERING DIVISION
2019 WATER MAIN RENEWALS
CONTRACT 3
WALLER AVENUE
45 W OF MARSHALL CRESCENT TO
MARSHALL CRESCENT

SHEET 14 OF 14
CITY DRAWING NUMBER
D-15468