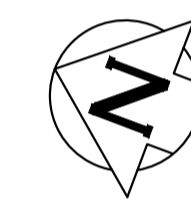
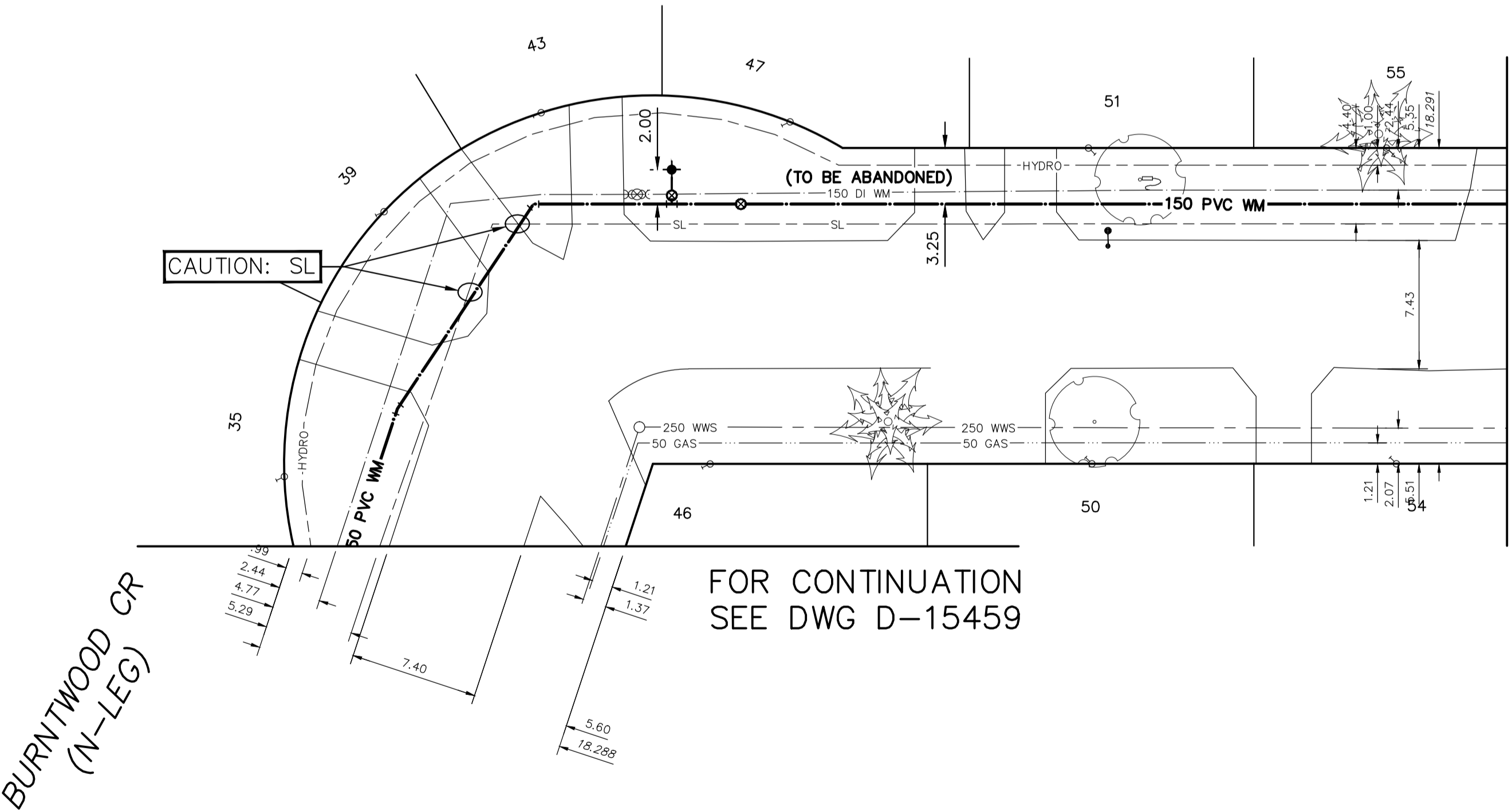


NOTE: CHAINAGES SHOWN ARE ALONG E. P. OF BURNTWOOD CR (E-LEG)



BURNTWOOD CRESCENT (E-LEG)



MATCHLINE 0+93.000
SEE DWG D-15461

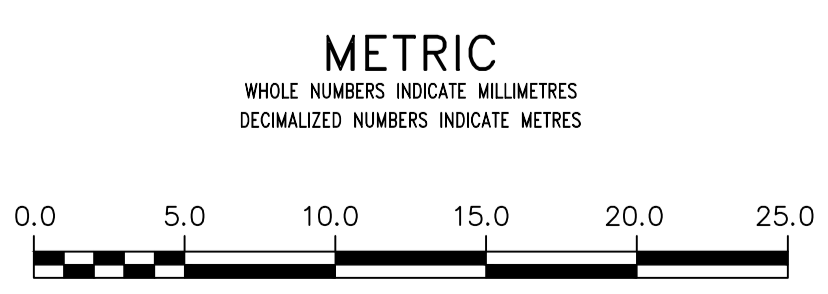
WATER SERVICE INFORMATION

ADDRESS	SIZE (mm) MATERIAL (STREET)	SIZE (mm) MATERIAL (PROP.)	SHORT & LONG MEASUREMENT	CORP. LOCATION	REMARKS
2 BURNTWOOD CR (N-LEG)	20	20	10.12 WEL HSE	0.5 W OF S/C	RECONNECT SERVICE
RESIDENTIAL	CU	CU	7.600 EEL LAKEWOOD BLVD		
3 BURNTWOOD CR (N-LEG)	20	20	6.19 EWL HSE		RECONNECT SERVICE
RESIDENTIAL	CU	CU	10.434 EEL LAKEWOOD BLVD		
6 BURNTWOOD CR (N-LEG)	20	20	4.10 WEL HSE		RECONNECT SERVICE
RESIDENTIAL	CU	CU	30.211 EEL LAKEWOOD BLVD		
7 BURNTWOOD CR (N-LEG)	20	20	7.23 EWL HSE		RECONNECT SERVICE
RESIDENTIAL	CU	CU	29.281 EEL LAKEWOOD BLVD		
10 BURNTWOOD CR (N-LEG)	20	20	4.68 WEL HSE		RECONNECT SERVICE
RESIDENTIAL	CU	CU	48.525 EEL LAKEWOOD BLVD		
11 BURNTWOOD CR (N-LEG)	20	20	5.56 EWL HSE		RECONNECT SERVICE
RESIDENTIAL	CU	CU	44.510 EEL LAKEWOOD BLVD		
14 BURNTWOOD CR (N-LEG)	20	20	8.22 EWL HSE		RECONNECT SERVICE
RESIDENTIAL	CU	CU	68.197 EEL LAKEWOOD BLVD		
15 BURNTWOOD CR (N-LEG)	20	20	5.08 WEL HSE		RECONNECT SERVICE
RESIDENTIAL	CU	CU	63.752 EEL LAKEWOOD BLVD		
18 BURNTWOOD CR (N-LEG)	20	20	4.99 WEL HSE		RECONNECT SERVICE
RESIDENTIAL	CU	CU	87.969 EEL LAKEWOOD BLVD		
19 BURNTWOOD CR (N-LEG)	20	20	4.72 WEL HSE		RECONNECT SERVICE
RESIDENTIAL	CU	CU	78.445 EEL LAKEWOOD BLVD		
22 BURNTWOOD CR (N-LEG)	20	20	5.32 EWL HSE		RECONNECT SERVICE
RESIDENTIAL	CU	CU	107.057 EEL LAKEWOOD BLVD		
23 BURNTWOOD CR (N-LEG)	20	20	3.89 WEL HSE		RECONNECT SERVICE
RESIDENTIAL	CU	CU	96.550 EEL LAKEWOOD BLVD		
27 BURNTWOOD CR (N-LEG)	20	20	2.72 EWL HSE		RECONNECT SERVICE
RESIDENTIAL	CU	CU	107.959 EEL LAKEWOOD BLVD		
31 BURNTWOOD CR (N-LEG)	20	20	7.30 EWL HSE		RECONNECT SERVICE
RESIDENTIAL	CU	CU	130.096 EEL LAKEWOOD BLVD		
35 BURNTWOOD CR (N-LEG)	20	20	4.98 EWL HSE		RECONNECT SERVICE
RESIDENTIAL	CU	CU	4.793 WML BURNTWOOD CR (N-LEG)		
39 BURNTWOOD CR (N-LEG)	20	20	2.67 NSL HSE		RECONNECT SERVICE
RESIDENTIAL	CU	CU	8.986 WML BURNTWOOD CR (N-LEG)		
43 BURNTWOOD CR (N-LEG)	20	20	4.65 NSL HSE		RECONNECT SERVICE
RESIDENTIAL	CU	CU	17.215 WML BURNTWOOD CR (N-LEG)		
46 BURNTWOOD CR (E-LEG)	20	20	10.17 NSL HSE		RECONNECT SERVICE
RESIDENTIAL	CU	CU	152.790 NNL BEAVERHILL BLVD		
47 BURNTWOOD CR (E-LEG)	20	20	6.57 NSL HSE		RECONNECT SERVICE
RESIDENTIAL	CU	CU	148.154 NNL BEAVERHILL BLVD		
50 BURNTWOOD CR (E-LEG)	20	20	7.02 NSL HSE		RECONNECT SERVICE
RESIDENTIAL	CU	CU	130.813 NNL BEAVERHILL BLVD		
51 BURNTWOOD CR (E-LEG)	20	20	7.29 NSL HSE		RECONNECT SERVICE
RESIDENTIAL	CU	CU	130.825 NNL BEAVERHILL BLVD		
54 BURNTWOOD CR (E-LEG)	20	20	4.15 NSL HSE		RECONNECT SERVICE
RESIDENTIAL	CU	CU	113.007 NNL BEAVERHILL BLVD		
55 BURNTWOOD CR (E-LEG)	20	20	4.71 NSL HSE		RECONNECT SERVICE
RESIDENTIAL	CU	CU	113.565 NNL BEAVERHILL BLVD		
58 BURNTWOOD CR (E-LEG)	20	20	4.92 NSL HSE		RECONNECT SERVICE
RESIDENTIAL	CU	CU	93.756 NNL BEAVERHILL BLVD		
59 BURNTWOOD CR (E-LEG)	20	20	4.19 NSL HSE		RECONNECT SERVICE
RESIDENTIAL	CU	CU	95.631 NNL BEAVERHILL BLVD		
62 BURNTWOOD CR (E-LEG)	20	20	1.72 NSL HSE		RECONNECT SERVICE
RESIDENTIAL	CU	CU	74.584 NNL BEAVERHILL BLVD		
63 BURNTWOOD CR (E-LEG)	20	20	3.13 NSL HSE		RECONNECT SERVICE
RESIDENTIAL	CU	CU	80.849 NNL BEAVERHILL BLVD		
66 BURNTWOOD CR (E-LEG)	20	20	7.79 NSL HSE		RECONNECT SERVICE
RESIDENTIAL	CU	CU	56.891 NNL BEAVERHILL BLVD		
67 BURNTWOOD CR (E-LEG)	20	20	6.89 NSL HSE		RECONNECT SERVICE
RESIDENTIAL	CU	CU	62.159 NNL BEAVERHILL BLVD		
71 BURNTWOOD CR (E-LEG)	20	20	5.32 NSL HSE		RECONNECT SERVICE
RESIDENTIAL	CU	CU	45.988 NNL BEAVERHILL BLVD		
74 BURNTWOOD CR (E-LEG)	20	20	3.51 EWL HSE		RECONNECT SERVICE
RESIDENTIAL	CU	CU	10.067 WML BURNTWOOD CR (E-LEG)	1.5 W OF S/C	
75 BURNTWOOD CR (E-LEG)	20	20	7.57 NSL HSE		RECONNECT SERVICE
RESIDENTIAL	CU	CU	28.292 NNL BEAVERHILL BLVD		
79 BURNTWOOD CR (E-LEG)	20	20	5.25 NSL HSE		RECONNECT SERVICE
RESIDENTIAL	CU	CU	10.095 NNL BEAVERHILL BLVD		

* SERVICES TO BE RENEWED TO P. ALL OTHERS TO BE RECONNECTED

FOR INDEX SEE D-15456

NOTE: ALL VALVES TO BE INSTALLED CLOCKWISE TO CLOSE



WARNING
IF POWER EQUIPMENT OR EXPLOSIVES ARE TO BE USED FOR EXCAVATION ON THIS PROJECT THE CONTRACTOR MUST:
1) NOTIFY THE GAS COMPANY OF THE PROPOSED LOCATION OF EXCAVATION.
2) TAKE PRECAUTION TO AVOID DAMAGE TO GAS COMPANY INSTALLATIONS.
SEE PROVINCIAL REGULATION 210/72 FOR DETAILS

LOCATION APPROVED UNDERGROUND STRUCTURES
SUPV. U/G STRUCTURES COMMITTEE DATE
NOTE:
LOCATION OF UNDERGROUND STRUCTURES AS SHOWN ARE BASED ON THE BEST INFORMATION AVAILABLE BUT NO GUARANTEE IS GIVEN THAT ALL EXISTING UTILITIES ARE SHOWN OR THAT THE GIVEN LOCATIONS ARE EXACT. CONFIRMATION OF EXISTENCE AND EXACT LOCATION OF ALL UTILITIES MUST BE OBTAINED FROM THE INDIVIDUAL UTILITIES BEFORE PROCEEDING WITH CONSTRUCTION.

B.M. ELEV.	NO.	REVISIONS	DATE	BY

DESIGNED BY	TGS	CHECKED BY	SC
DRAWN BY	RS	APPROVED BY	KZ
SCALE:		RELEASED FOR CONSTRUCTION	
HORIZONTAL	1:250		
VERTICAL	1:50		
DATE	2019 05 14	DATE	2019-05-13

ENGINEER'S SEAL
ORIGINAL SIGNED BY
S.R.J COUNROYER
19/05/13
CONSULTANT DRAWING NUMBER

THE CITY OF WINNIPEG
WATER AND WASTE DEPARTMENT
ENGINEERING DIVISION

2019 WATER MAIN RENEWALS
CONTRACT 3
BURNTWOOD CRESCENT (E-LEG)
146 E OF LAKEWOOD BOULEVARD TO
108 N OF BEAVERHILL BOULEVARD

SHEET 6 OF 14
CITY DRAWING NUMBER
D-15460