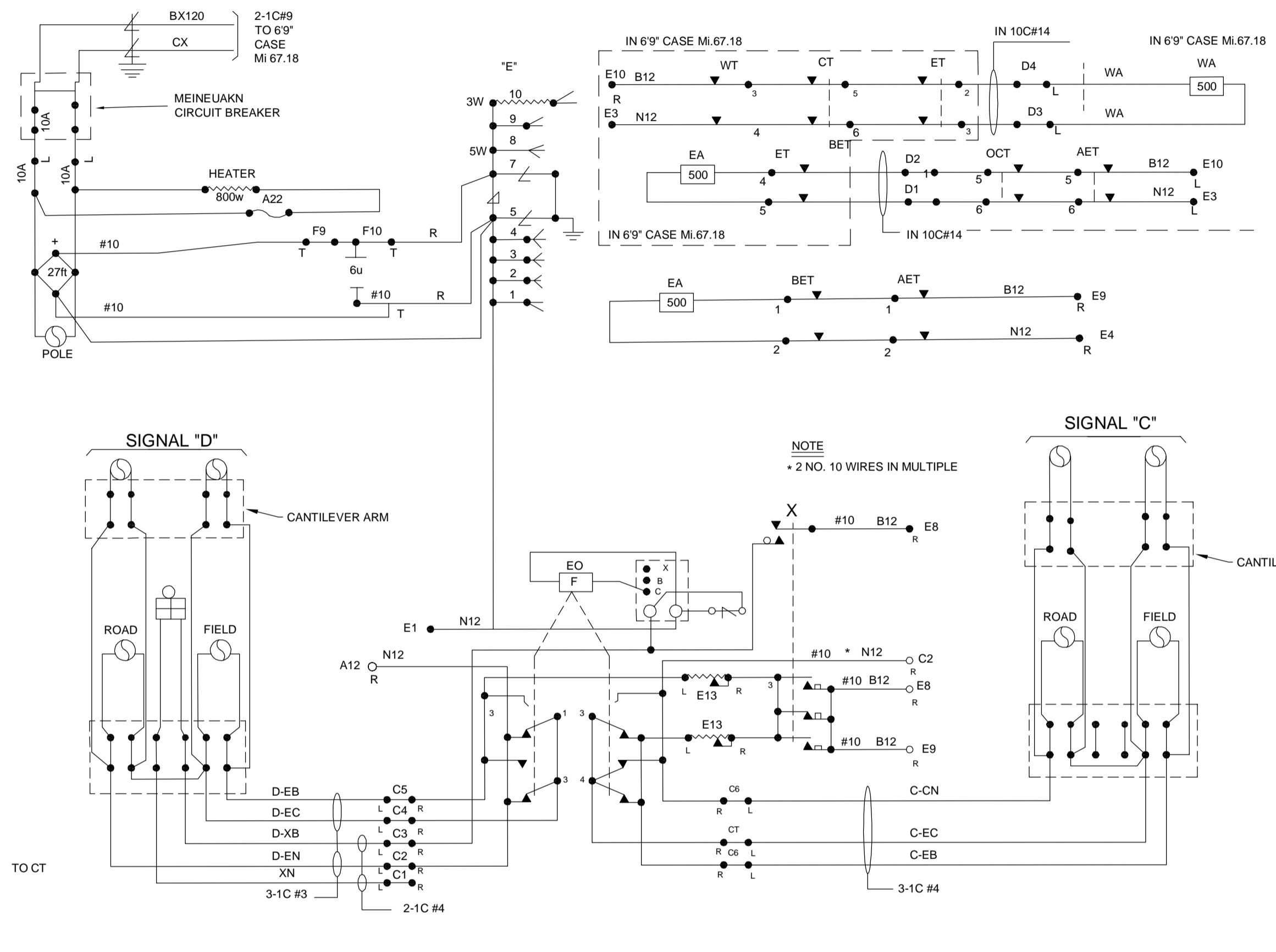
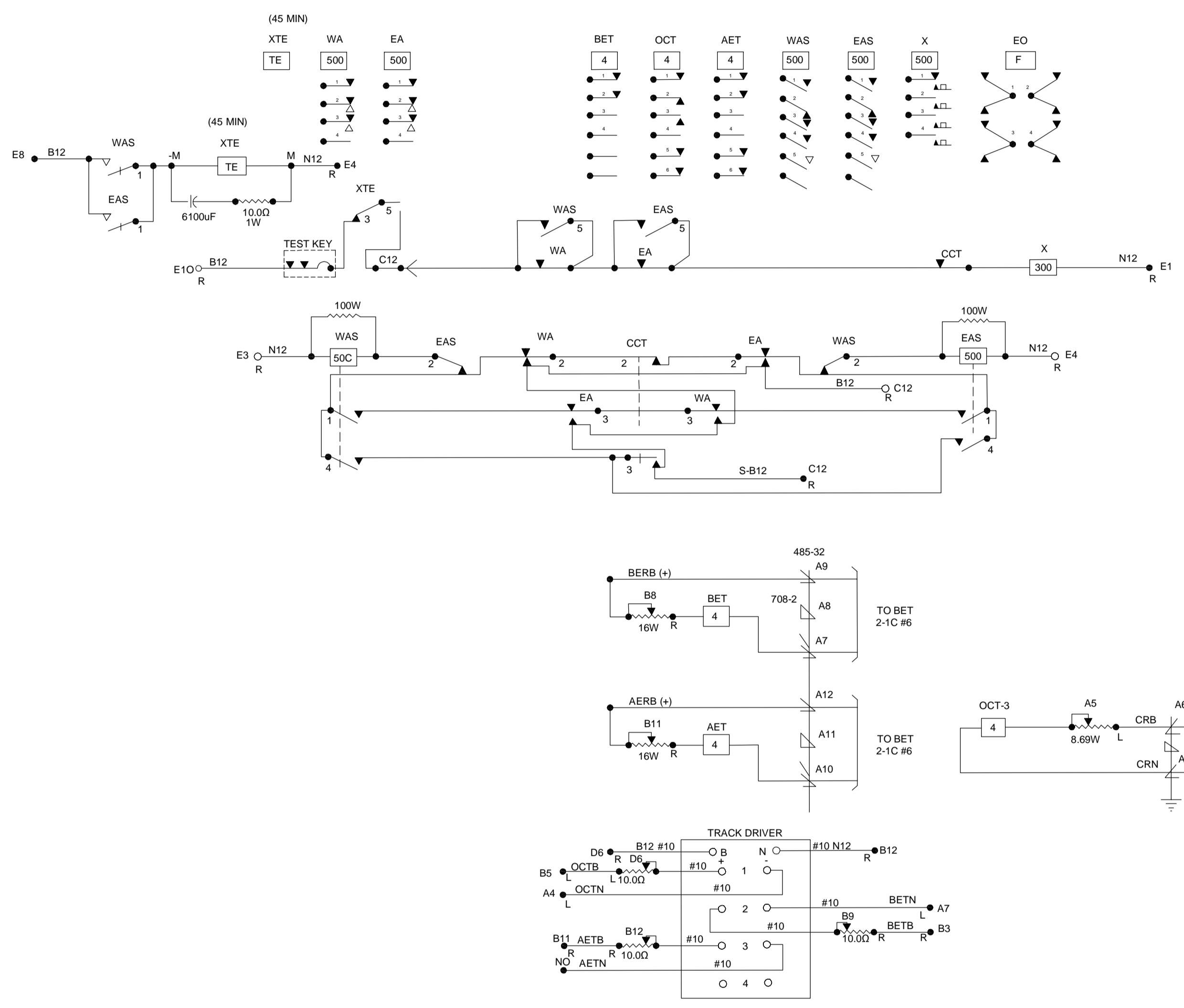


F-A-23-10



REVISIONS		CANADIAN PACIFIC HIGHWAY-CROSSING SIGNALS P.T.H. No: 1(EAST BOUND) Mi.67.28 GREATER WINNIPEG WATER DISTRICT RAILWAY WINNIPEG JULY 30, 1975
1	AS INSTALLED OCT 2-1975 IC	
2	AS INSTALLED DEC 8-1989 D.A.S	
3	RE DRAW JUNE 4-2015 CN	

GWWD067.28FA001,SW

LIABILITY DISCLAIMER NOTICE:
 THE DIGITAL INFORMATION PROVIDED FOR YOUR CONVENIENCE HEREIN IS FOR USE AT YOUR OWN RISK. THE CITY OF WINNIPEG, WATER AND WASTE DEPARTMENT SHALL ASSUME NO RESPONSIBILITY FOR THE INFORMATION AND IT SHOULD NOT BE CONSTRUED AS AS-BUILT INFORMATION. THE INFORMATION SHOULD BE USED FOR PLANNING PURPOSES ONLY AND SHOULD BE VERIFIED BY SURVEY. THE DEPARTMENT SHALL NOT IN ANY WAY SUFFER ANY LIABILITY WHATSOEVER TO ANY PARTY FOR ANY INJURY, LOSS, OR DAMAGES SUFFERED BY SUCH PARTY ARISING FROM THEIR USE OF, OR RELIANCE UPON, THIS INFORMATION.

WHEN THE DIGITAL INFORMATION PROVIDED IS BEING USED FOR WORKS THAT ARE TO BE SUBMITTED TO THE WATER AND WASTE DEPARTMENT, PLEASE ENSURE THE ORIENTATION AND PROJECTION ARE MAINTAINED.

B.M. ELEV.	
CONSTRUCTION COMPLETION DATE: YYYY MM DD	
DESIGNED BY	CN
CHECKED BY	XX
DRAWN BY	CN
APPROVED BY	XX
SCALE:	
HORIZONTAL	
VERTICAL	
DATE	2015 06 18
DATE	
DATE	
DATE	
NO.	
REVISIONS	
DATE	
DATE	
DATE	
DATE	
DATE	

DESIGNED BY		CHECKED BY	XX
DRAWN BY	CN	APPROVED BY	XX
SCALE:		RELEASED FOR CONSTRUCTION	
HORIZONTAL			
VERTICAL			
DATE	2015 06 18	DATE	
DATE		DATE	
DATE		DATE	
DATE		DATE	
DATE		DATE	

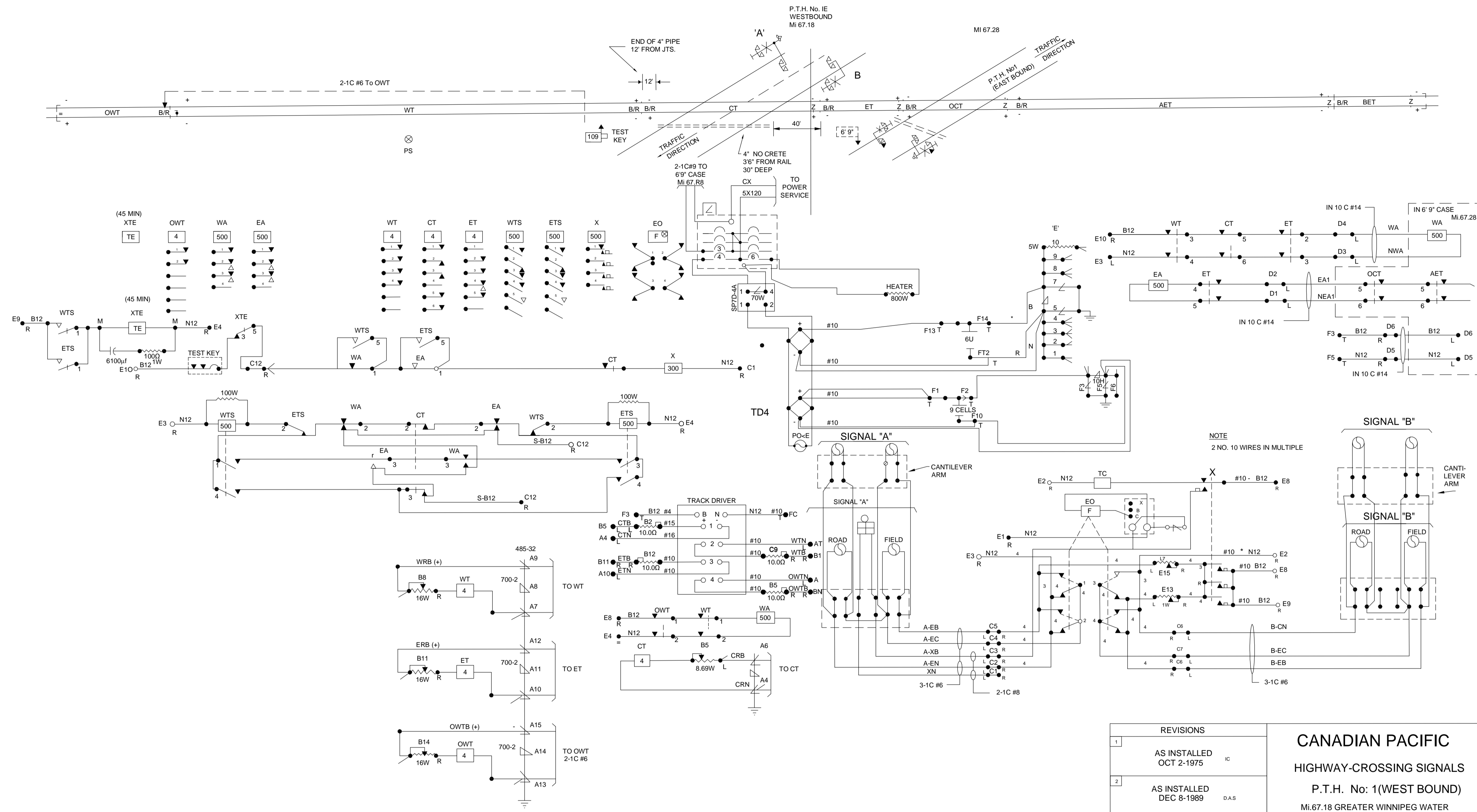
ENGINEER'S SEAL
 CONSULTANT DRAWING NUMBER

THE CITY OF WINNIPEG
 WATER AND WASTE DEPARTMENT
 ENGINEERING DIVISION

RE DRAWN
 HIGHWAY CROSSING SIGNALS
 P.T.H. No:1 (EAST BOUND)

Mi.67.28 GREATER WINNIPEG WATER DISTRICT
 WINNIPEG JULY 30, 1975

SHEET 1 OF 1
 CITY DRAWING NUMBER
 P-WWD-67.28-1



F-A-23-10

GWWDO67.18FA001,SW

REVISIONS		CANADIAN PACIFIC HIGHWAY-CROSSING SIGNALS P.T.H. No: 1(WEST BOUND) MI.67.18 GREATER WINNIPEG WATER DISTRICT RAILWAY AS INSTALLED MAR. 21/68 WINNIPEG FEB. 22, 1968	P-GWWD-67.18-1	
1	AS INSTALLED OCT 2-1975			IC
2	AS INSTALLED DEC 8-1989			D.A.S
3	RE DRAW JUNE 12-2015	RJ		

LIABILITY DISCLAIMER NOTICE:

THE DIGITAL INFORMATION PROVIDED FOR YOUR CONVENIENCE HEREIN IS FOR USE AT YOUR OWN RISK. THE CITY OF WINNIPEG, WATER AND WASTE DEPARTMENT SHALL ASSUME NO RESPONSIBILITY FOR THE INFORMATION AND IT SHOULD NOT BE CONSTRUED AS AS-BUILT INFORMATION. THE INFORMATION SHOULD BE USED FOR PLANNING PURPOSES ONLY AND SHOULD BE VERIFIED BY SURVEY. THE DEPARTMENT SHALL NOT IN ANY WAY SUFFER ANY LIABILITY WHATSOEVER TO ANY PARTY FOR ANY INJURY, LOSS, OR DAMAGES SUFFERED BY SUCH PARTY ARISING FROM THEIR USE OF, OR RELIANCE UPON, THIS INFORMATION.

WHEN THE DIGITAL INFORMATION PROVIDED IS BEING USED FOR WORKS THAT ARE TO BE SUBMITTED TO THE WATER AND WASTE DEPARTMENT, PLEASE ENSURE THE ORIENTATION AND PROJECTION ARE MAINTAINED.

B.M. ELEV.			
CONSTRUCTION COMPLETION DATE:	YYYY MM DD		
DESIGNED BY	-	CHECKED BY	XX
DRAWN BY	RJ	APPROVED BY	XX
3	RE DRAW	DATE	RJ
2	AS INSTALLED	DATE	DAS
1	AS INSTALLED	DATE	IC
NO.	REVISIONS	DATE	BY
		2015 06 18	

ENGINEER'S SEAL		
DESIGNED BY	-	CHECKED BY
DRAWN BY	RJ	APPROVED BY
3	RE DRAW	DATE
2	AS INSTALLED	DATE
1	AS INSTALLED	DATE
NO.	REVISIONS	DATE
		2015 06 18

CONSULTANT DRAWING NUMBER	-
---------------------------	---

THE CITY OF WINNIPEG
WATER AND WASTE DEPARTMENT
ENGINEERING DIVISION

RE DRAWN
HIGHWAY CROSSING SIGNALS
P.T.H. No:1 (WEST BOUND)

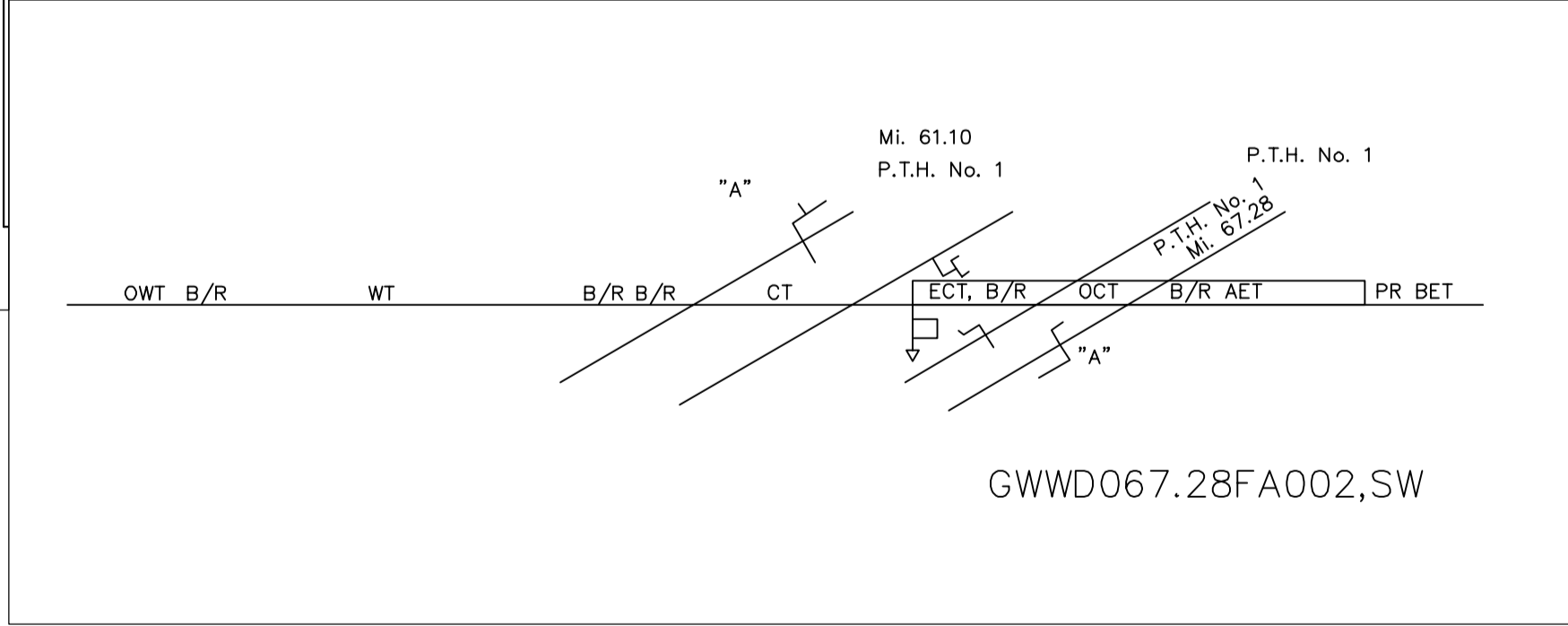
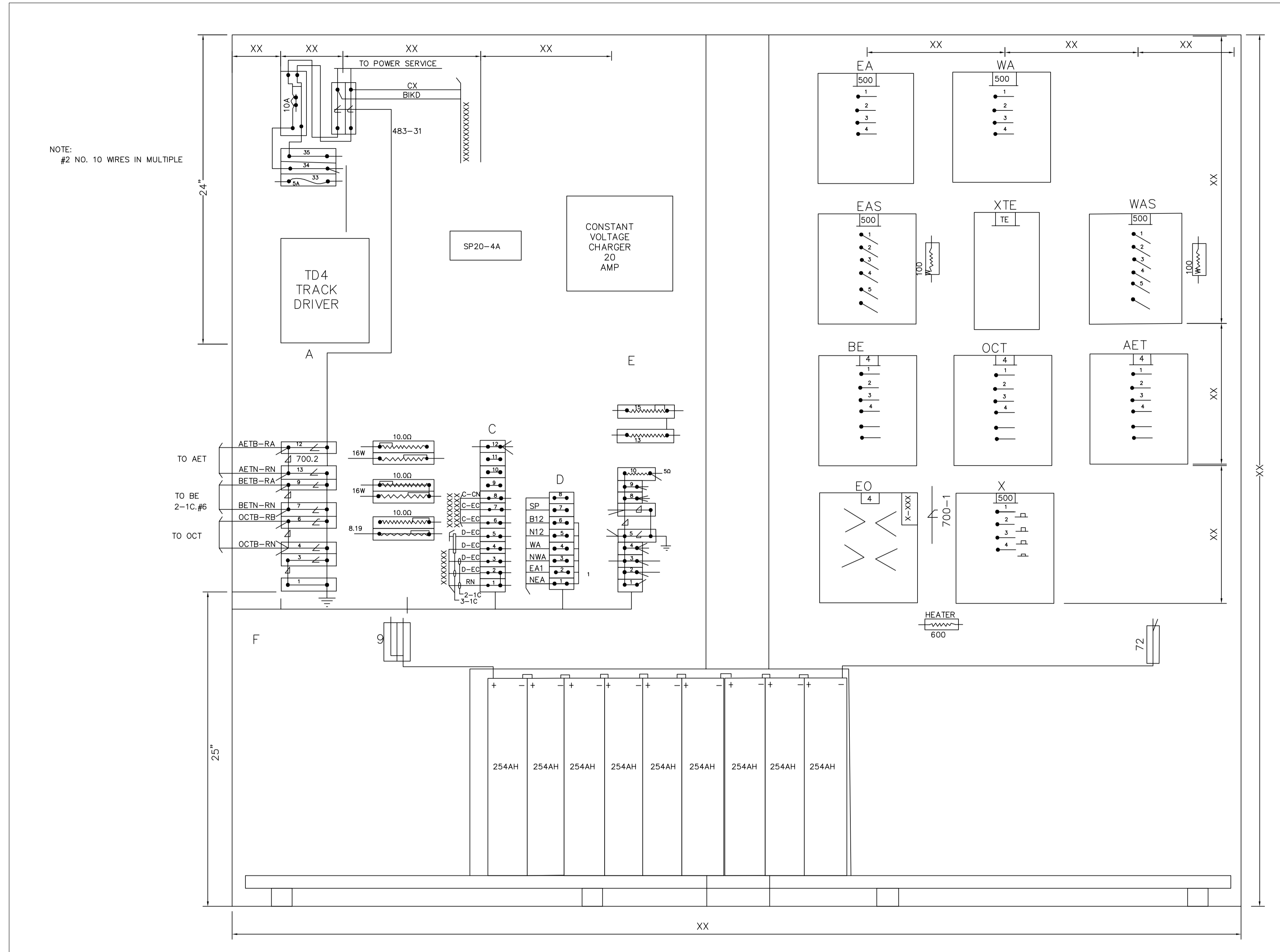
MI.67.18 GREATER WINNIPEG WATER DISTRICT RAILWAY
WINNIPEG FEB 22, 1968

SHEET 1 OF 1
CITY DRAWING NUMBER
P-WWD-67.18-1

PLOT DATE: 2015 06 18

BID OPPORTUNITY: XXX-20XX
CONTRACT NUMBER: X

FILE PATH: O:\RS\okolewsky\Railway\
FILE NAME: P-GWWD-67-18-1.dwg



LIABILITY DISCLAIMER NOTICE:
THE DIGITAL INFORMATION PROVIDED FOR YOUR CONVENIENCE HEREIN IS FOR USE AT YOUR OWN RISK. THE CITY OF WINNIPEG, WATER AND WASTE DEPARTMENT SHALL ASSUME NO RESPONSIBILITY FOR THE INFORMATION AND IT SHOULD NOT BE CONSTRUED AS AS-BUILT INFORMATION. THE INFORMATION SHOULD BE USED FOR PLANNING PURPOSES ONLY AND SHOULD BE VERIFIED BY SURVEY. THE DEPARTMENT SHALL NOT IN ANY WAY SUFFER ANY LIABILITY WHATSOEVER TO ANY PARTY FOR ANY INJURY, LOSS, OR DAMAGES SUFFERED BY SUCH PARTY ARISING FROM THEIR USE OF, OR RELIANCE UPON, THIS INFORMATION.

NO.	REVISIONS	DATE	BY

DESIGNED BY	XX	CHECKED BY	XX
DRAWN BY	XX	APPROVED BY	XX
SCALE:		RELEASED FOR CONSTRUCTION	
HORIZONTAL	1:250	DATE	2015 06 18
VERTICAL	1:50	DATE	
PLOT DATE:	2015 06 18		

ENGINEER'S SEAL
CONSULTANT DRAWING NUMBER
P-GWWD-67.28-2

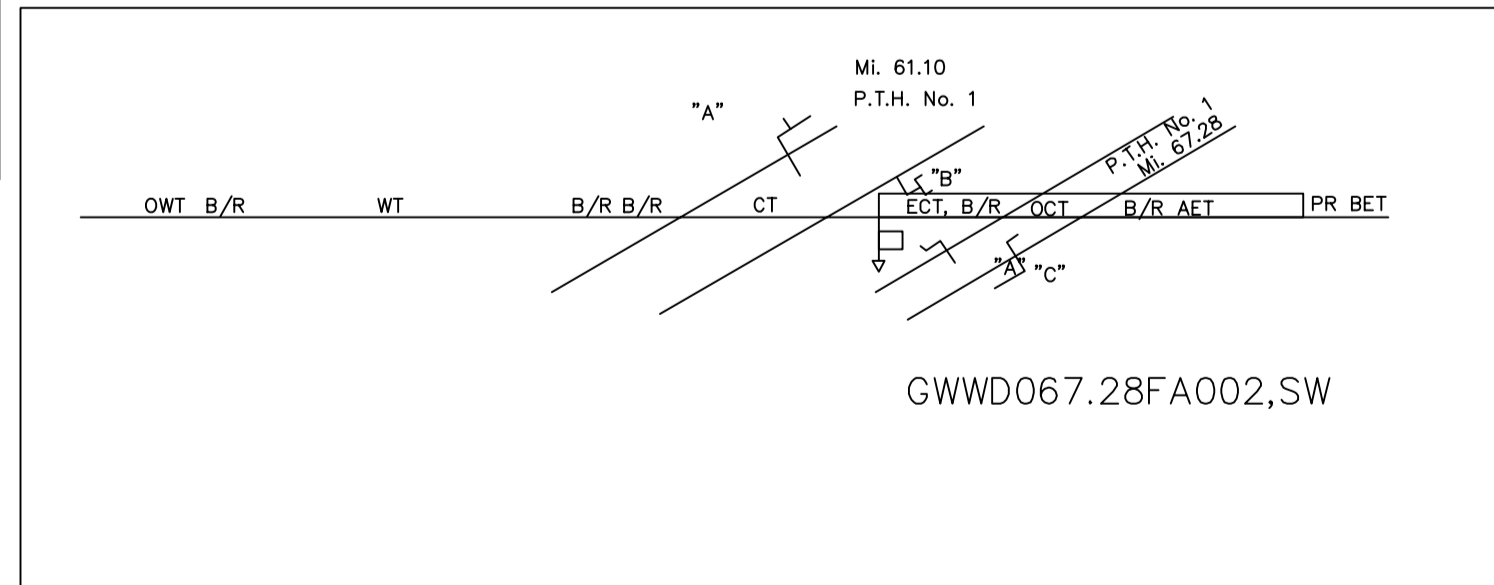
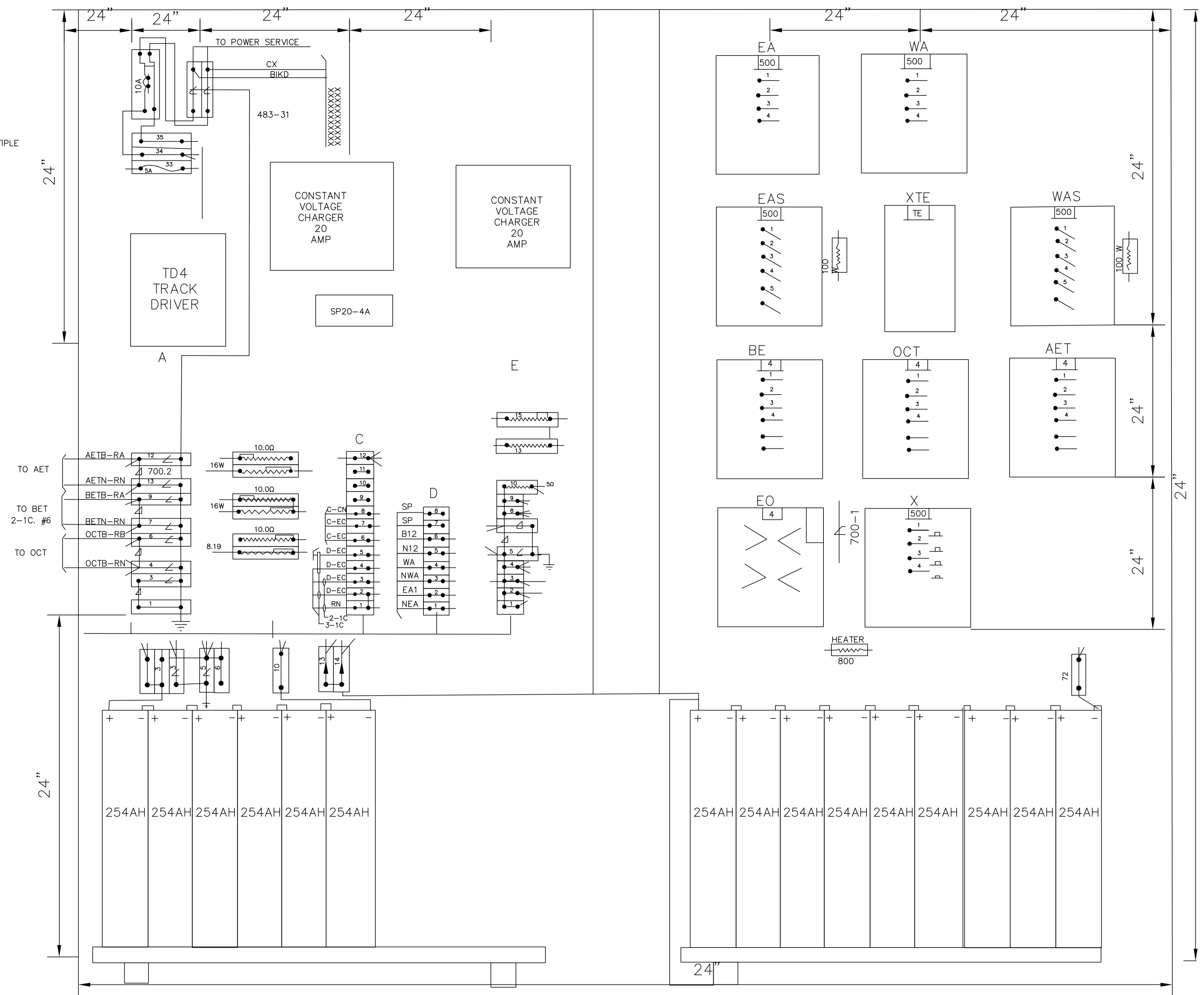
THE CITY OF WINNIPEG
WATER AND WASTE DEPARTMENT
ENGINEERING DIVISION

LAYOUT OF EQUIPMENT, G.R.S CO CASE NO.56101-109
FOR FLASHING LIGHT INSTALLATION AT CROSSING OF P.T.H.

NO. 1 (EASTBOUND), MI. 67.28, GREATER WINNIPEG WATER DISTRICT RLY
AS INSTALLED DEC. 8, 1969 D.A.S.
AS INSTALLED OCT. 2, 1970, WINNIPEG

SHEET **X** OF **X**
CITY DRAWING NUMBER
F-4.22.10

NOTE
2 NO. 10 WIRES IN MULTIPLE



LIABILITY DISCLAIMER NOTICE:
THE DIGITAL INFORMATION PROVIDED FOR YOUR CONVENIENCE HEREIN IS FOR USE AT YOUR OWN RISK. THE CITY OF WINNIPEG, WATER AND WASTE DEPARTMENT SHALL ASSUME NO RESPONSIBILITY FOR THE INFORMATION AND IT SHOULD NOT BE CONSTRUED AS AS-BUILT INFORMATION. THE INFORMATION SHOULD BE USED FOR PLANNING PURPOSES ONLY AND SHOULD BE VERIFIED BY SURVEY. THE DEPARTMENT SHALL NOT IN ANY WAY SUFFER ANY LIABILITY WHATSOEVER TO ANY PARTY FOR ANY INJURY, LOSS, OR DAMAGES SUFFERED BY SUCH PARTY ARISING FROM THEIR USE OF, OR RELIANCE UPON, THIS INFORMATION.

NO.	REVISIONS	DATE	BY

DESIGNED BY	XX	CHECKED BY	XX
DRAWN BY	XX	APPROVED BY	XX
SCALE:		RELEASED FOR CONSTRUCTION	
HORIZONTAL	1:250		
VERTICAL	1:50		
DATE	2015 06 18	DATE	
PLOT DATE:	2015 06 18		

ENGINEER'S SEAL

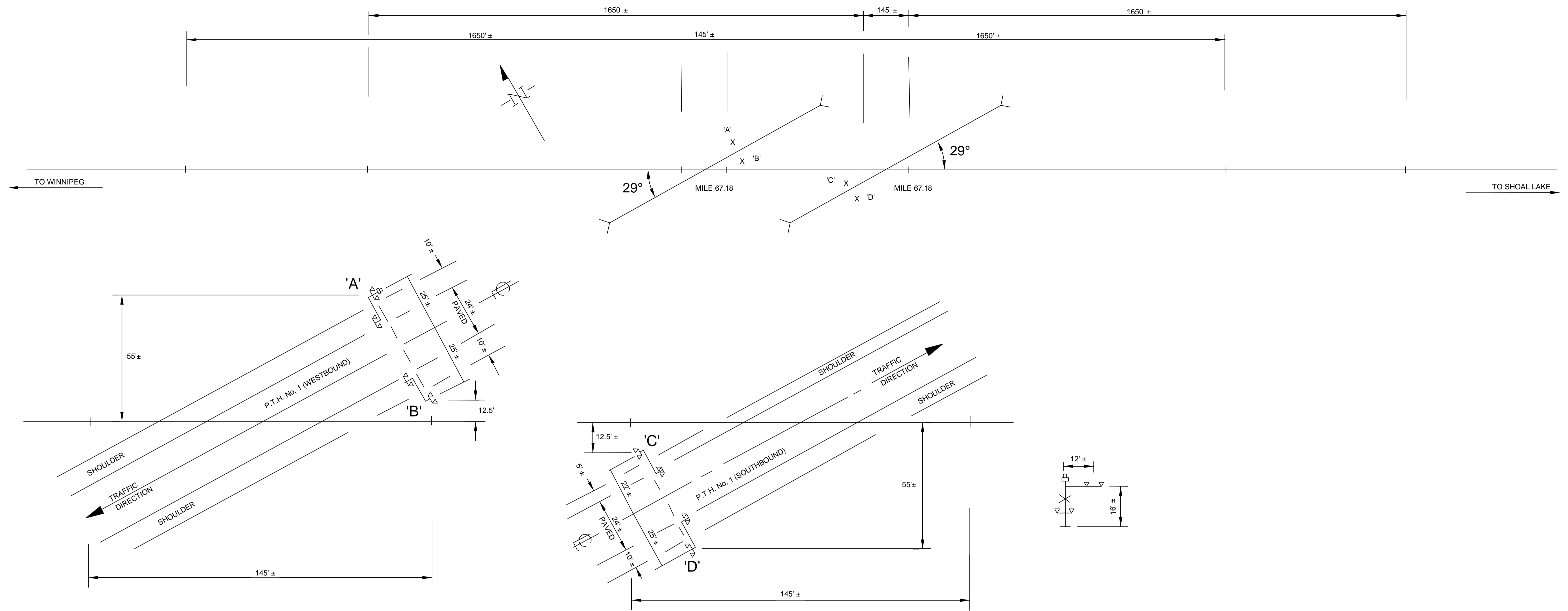
CONSULTANT DRAWING NUMBER
P-GWWD-67.28-2

THE CITY OF WINNIPEG
WATER AND WASTE DEPARTMENT
ENGINEERING DIVISION

LAYOUT OF EQUIPMENT, G.R.S CO CASE NO.56101-109
FOR FLASHING LIGHT INSTALLATION AT CROSSING OF P.T.H.

NO. 1 (EASTBOUND), MI. 67.28, GREATER WINNIPEG WATER DISTRICT RLY
AS INSTALLED DEC. 8, 1969 D.A.S.
AS INSTALLED OCT. 2, 1978, WINNIPEG

SHEET X OF X
CITY DRAWING NUMBER
F-4.22.10



NOTE:
 CLEARANCE DISTANCES DO NOT EXCEED
 145 FT.
 DESIGN SPEED: 34 M.P.H E/W @ W/W

LIABILITY DISCLAIMER NOTICE:


THE DIGITAL INFORMATION PROVIDED FOR YOUR CONVENIENCE HEREIN IS FOR USE AT YOUR OWN RISK. THE CITY OF WINNIPEG, WATER AND WASTE DEPARTMENT SHALL ASSUME NO RESPONSIBILITY FOR THE INFORMATION AND IT SHOULD NOT BE CONSTRUED AS AS-BUILT INFORMATION. THE INFORMATION SHOULD BE USED FOR PLANNING PURPOSES ONLY AND SHOULD BE VERIFIED BY SURVEY. THE DEPARTMENT SHALL NOT IN ANY WAY SUFFER ANY LIABILITY WHATSOEVER TO ANY PARTY FOR ANY INJURY, LOSS, OR DAMAGES SUFFERED BY SUCH PARTY ARISING FROM THEIR USE OF, OR RELIANCE UPON, THIS INFORMATION.

WHEN THE DIGITAL INFORMATION PROVIDED IS BEING USED FOR WORKS THAT ARE TO BE SUBMITTED TO THE WATER AND WASTE DEPARTMENT, PLEASE ENSURE THE ORIENTATION AND PROJECTION ARE MAINTAINED.

B.M. ELEV.			
CONSTRUCTION COMPLETION DATE: YYYY MM DD			
DESIGNED BY	-	CHECKED BY	XX
DRAWN BY	RS	APPROVED BY	XX
SCALE:			
HORIZONTAL			
VERTICAL			
1.	RE-DRAWN	5/18/2015	RS
NO.	REVISIONS	DATE	BY
		24/03/1975	
PLOT DATE: 2015.06.18			

ENGINEER'S SEAL	
CONSULTANT DRAWING NUMBER	
-	

BID OPPORTUNITY: XXX-20XX
CONTRACT NUMBER: X



THE CITY OF WINNIPEG
 WATER AND WASTE DEPARTMENT
 ENGINEERING DIVISION

INSTALLATION OF CROSSING PROTECTION
 FOR THE PROVINCE OF MANITOBA
 P.T.H. No 1 AT MILE 67.18 & 67.29

GREATERWINNIPEG DISTRICT RAILWAY
 (REGIONAL ENGINEER'S OFFICE, WINNIPEG)

SHEET 1 OF 1
 CITY DRAWING NUMBER
 WLX-3-207-1A

FILE PATH: O:\RSokolewsky\Railway\

FILE NAME: WLX-3-207-1A.dwg