

TABLE B.1					
READ IN CONJUNCTION WITH DESIGN NOTES SECTION B. CAST-IN-PLACE CONCRETE					
CONTROLLED CONCRETE					
CONCRETE LOCATION	MAX. AGG. SIZE	STRENGTH	EXPOSURE CLASS	AIR CONTENT	CEMENT TYPE
SLABS, FOOTINGS	20 mm	35 MPa	C-1	5-8%	GU/Gub

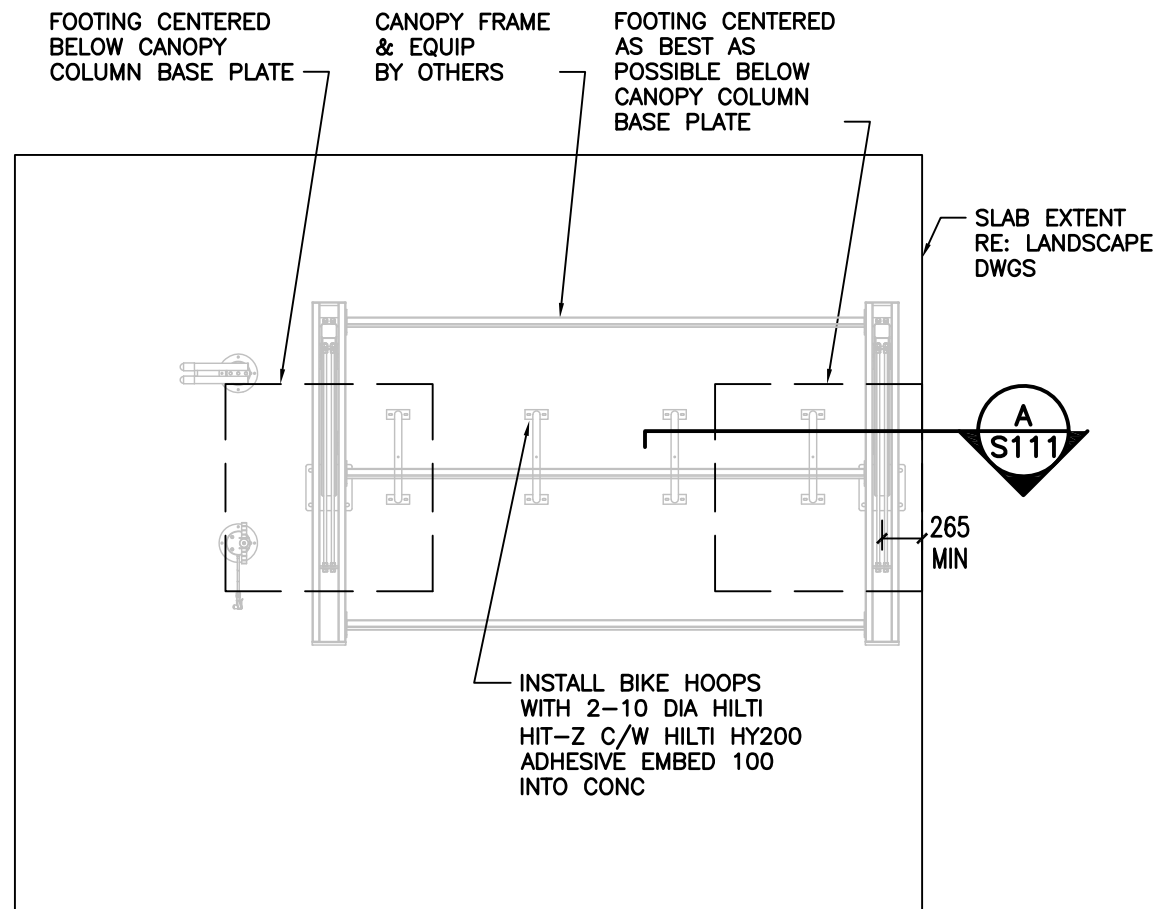
TABLE B.2	
READ IN CONJUNCTION WITH DESIGN NOTES SECTION B. CAST-IN-PLACE CONCRETE	
CONCRETE COVER TO REINFORCEMENT	
FOOTINGS - BOTTOM & SIDES	75 mm
SLABS - BOTTOM	75 mm
SLABS EXPOSED TO DE-ICING SALTS - TOP	60 mm

TABLE B.4		
READ IN CONJUNCTION WITH DESIGN NOTES SECTION B. CAST-IN-PLACE CONCRETE		
REINFORCEMENT SPLICES (UNLESS NOTED OTHERWISE)		
BAR SIZE	FULL TENSION SPLICE	FULL TENSION SPLICE FOR TOP BARS
15M	550	750
20M	700	900
25M	1100	1400

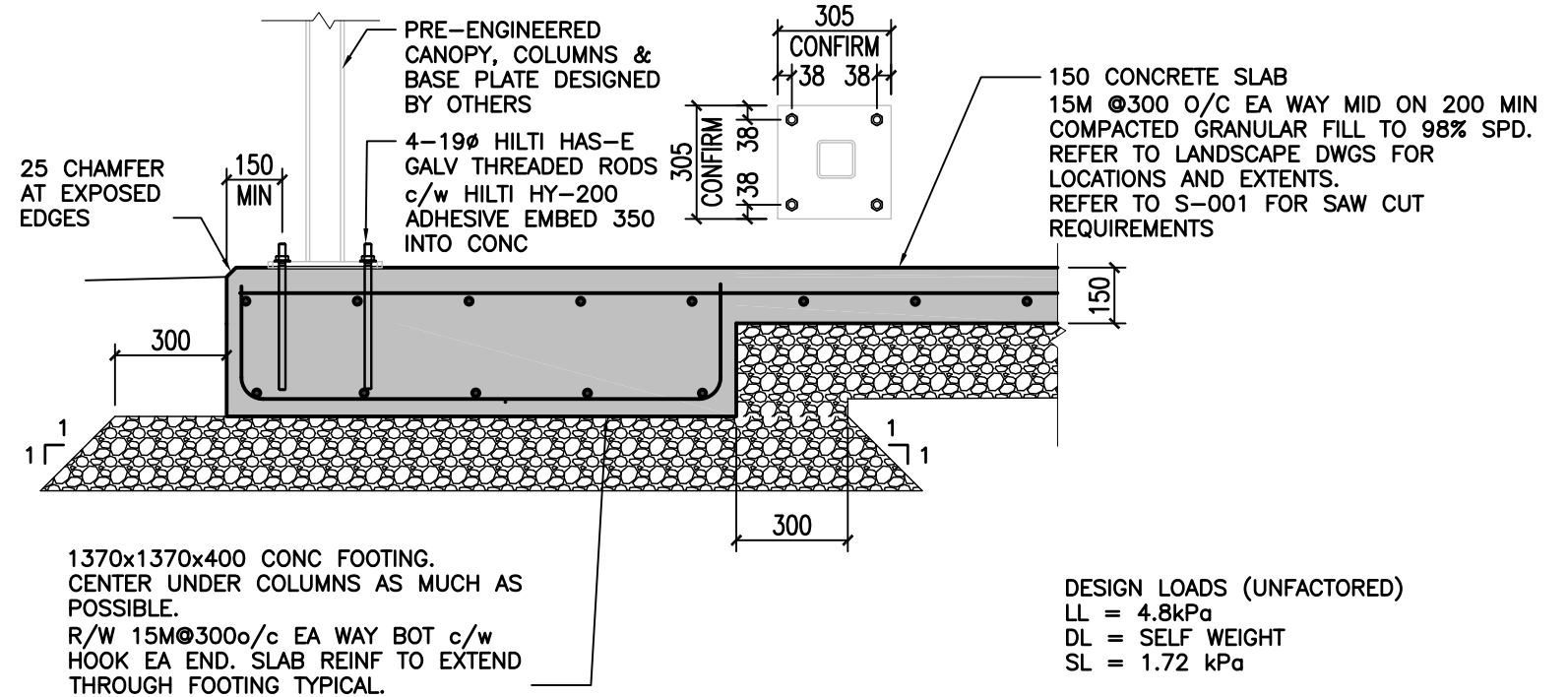
NOTE 1: APPLIES TO REINFORCEMENT SPLICES NOT OTHERWISE DETAILED.

NOTE 2: LAP SPLICE SCHEDULE IS FOR CLASS B SPLICE.

NOTE 3: FOR STANDARD EMBEDMENT DEPTH INTO CONCRETE DIVIDE TENSION LAP SPLICE NUMBERS BY 1.3.



1
S-111
PLAN VIEW
1:50



A
S-111
BIKE RACK CANOPY FOUNDATION SECTION
1:20

NOTE: REFER TO LANDSCAPE DWGS FOR EXTENT OF CONCRETE

U:\0208\projects\115419009\0300_drawing\sheet_files\0320_structural\19009_S-101.dwg S-101 2019/06/13 9:58 AM By: Rossmagel, Ian

ORIGINAL SHEET - ISO 11x17 - v17.05

2019-06-13
115419009



Stantec Consulting Ltd.
Suite 500, 311 Portage Avenue
Winnipeg MB Canada R3B 2B9
Tel. 204.489.5900 Fax. 204.453.9012
www.stantec.com



Certificate of Authorization
Stantec Consulting Ltd.
No. 1301



E			
D			
C			
B			
A	ISSUED FOR CONSTRUCTION	DS	JCH 2019.06.12
Issued		By	Appd. YY.MM.DD

Client/Project
CITY OF WINNIPEG PLANNING, PROPERTY & DEVELOPMENT
WINNIPEG PUBLIC LIBRARIES BICYCLE FACILITY RENOVATION
Winnipeg, Manitoba

Figure No.
S-111

Title
OSBORNE LIBRARY SCHEDULES, PLAN AND SECTION FOR BIKE RACK