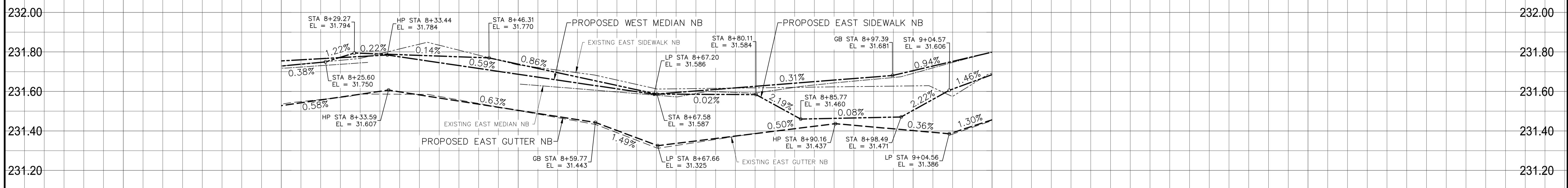
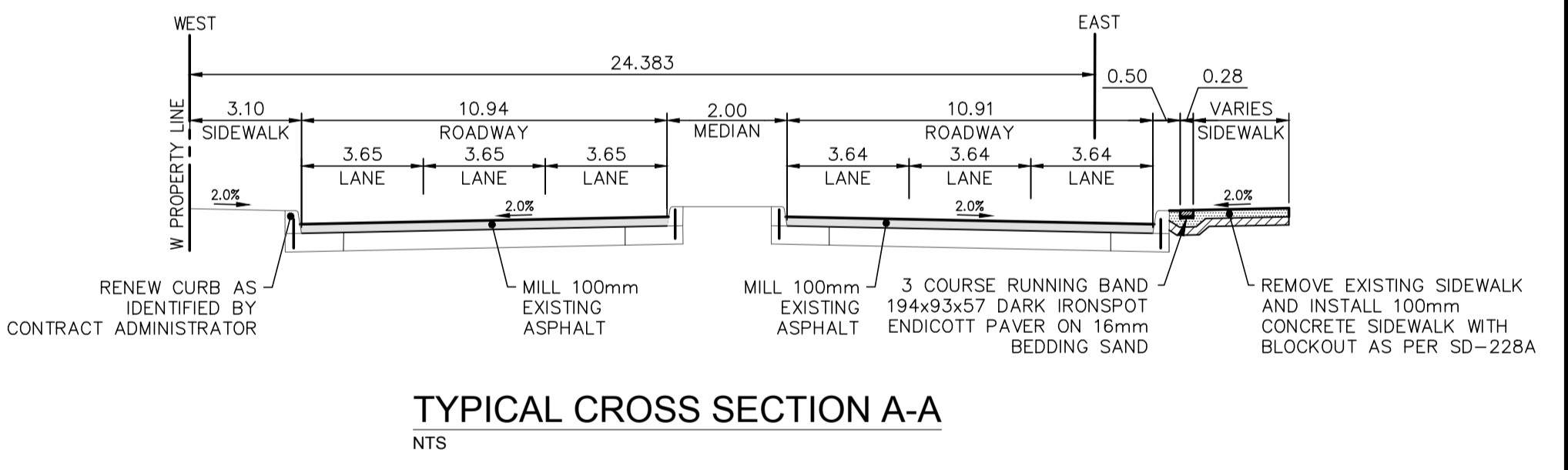
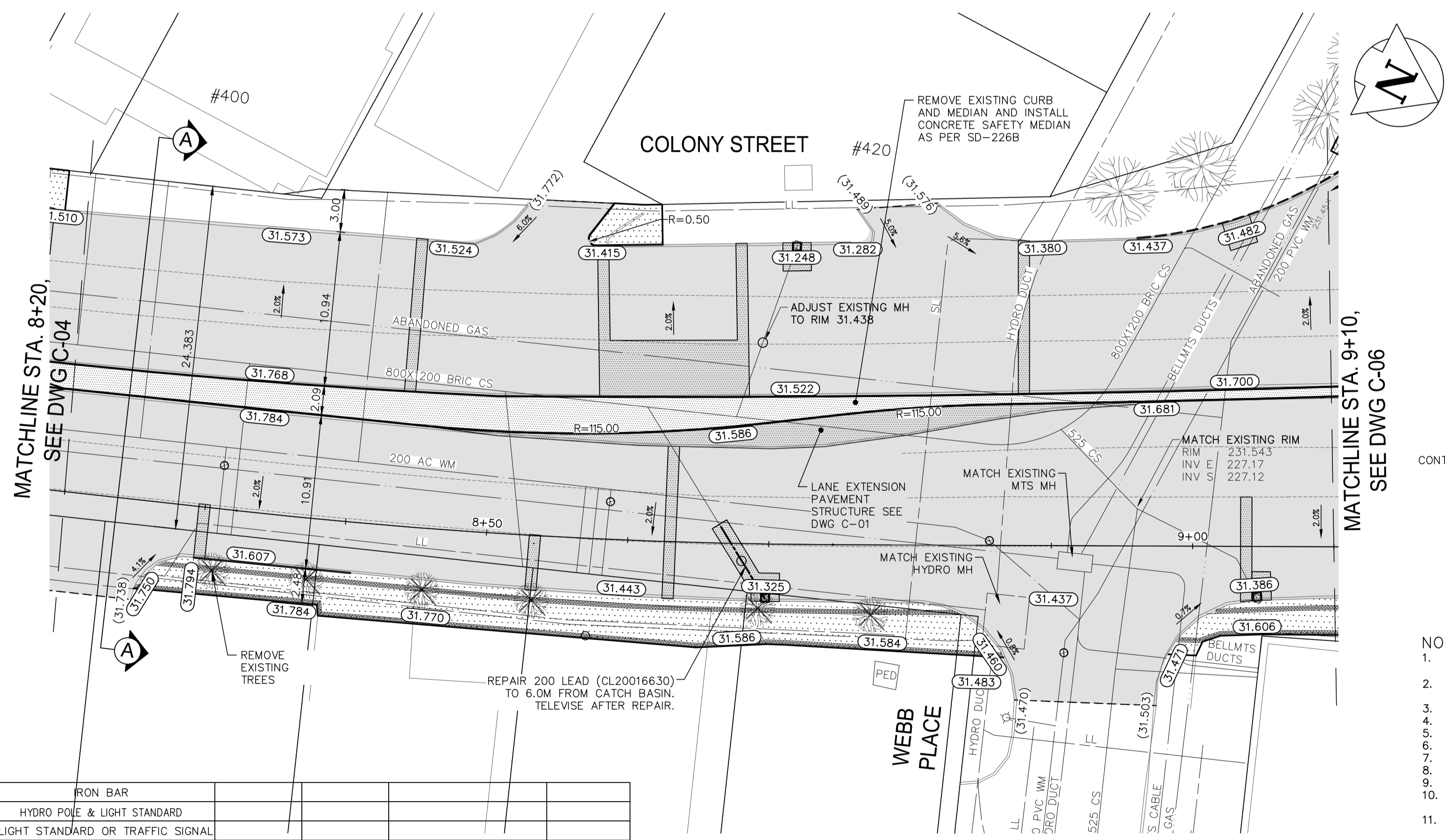


MEMORIAL BOULEVARD SOUTHBOUND PROFILE



MEMORIAL BOULEVARD NORTHBOUND PROFILE



- NOTES:
1. ALL WORK AND MATERIALS TO BE IN ACCORDANCE WITH THE LATEST REVISION OF THE CITY OF WINNIPEG STANDARD CONSTRUCTION SPECIFICATIONS.
 2. CONTRACTOR TO CONFIRM THE LOCATION OF ALL UTILITIES/SERVICES IN THE FIELD PRIOR TO CONSTRUCTION.
 3. ALL ROADWAY DIMENSIONS SHOWN ARE TO BACK OF CURB.
 4. ADD 200.00 TO ABBREVIATED ELEVATIONS TO OBTAIN GEODEIC ELEVATION.
 5. PAVEMENT REPAIRS SHOWN ARE ONLY A REPRESENTATIVE APPROXIMATION OF THE TENDERED QUANTITIES.
 6. RENEW CURB AND SIDEWALK AS IDENTIFIED BY CONTRACT ADMINISTRATOR.
 7. ALL PRIVATE WALKWAYS TO BE ADJUSTED TO NEW SIDEWALK OR TOP OF CURB ELEVATION, AS REQUIRED.
 8. MODIFIED BARRIER CURB TO BE CONSTRUCTED AT ALL INTERSECTION RADI AND APPROACH RADI.
 9. INSTALL 40MM LIP CURB THROUGH ALL APPROACHES UNLESS OTHERWISE NOTED.
 10. CONTRACTORS TO TAKE PRECAUTIONARY STEPS TO PROTECT EXISTING TREES WITHIN THE LIMITS OF CONSTRUCTION FROM DAMAGE FROM CONSTRUCTION ACTIVITIES AS OUTLINED IN THE SPECIFICATIONS.
 11. LAMP STANDARDS, HYDRO POLES, AND ANCHORS THAT REQUIRE TEMPORARY SUPPORT, REMOVAL OR REPLACEMENT, TO BE DONE SO AT THE EXPENSE OF THE CONTRACTOR AS NECESSARY.
 12. ALL BOULEVARDS TO BE SODDED UNLESS OTHERWISE NOTED. LIMITS TO BE IDENTIFIED IN THE FIELD BY THE CONTRACT ADMINISTRATOR.
 13. TRAFFIC SERVICES TO PAINT TRAFFIC LINES AND BICYCLE LANE MARKINGS (IF REQ'D).
 14. CONTRACTOR TO CONFIRM LOCATION AND LIMITS OF SEWER REPAIRS BY PERFORMING VIDEO INSPECTION AND REVIEWING WITH CONTRACT ADMINISTRATOR PRIOR TO CONSTRUCTION (IF REQ'D).
 15. ADJUST ALL WATER VALVES, HYDRANTS, MANHOLES, AND CATCH BASINS IN WORK AREA TO GRADE.

PRELIMINARY
NOT FOR CONSTRUCTION

METRIC
WHOLE NUMBERS INDICATE MILLIMETRES
DECIMALIZED NUMBERS INDICATE METRES

ENGINEERS
GEOSCIENTIST
MANITOBA
Certificate of Authorization
WSP Canada Group Limited
No. 6657

EXISTING	LEGEND-PLAN	PROPOSED	EXISTING	LEGEND-PLAN	PROPOSED	EXISTING	LEGEND-PROFILE	PROPOSED
---	WATER MAIN	---	---	---	---	---	---	---
---	LAND DRAINAGE SEWER	---	---	---	---	---	---	---
---	WASTE WATER SEWER	---	---	---	---	---	---	---
---	HYDRO	---	---	---	---	---	---	---
---	M.T.S.	---	---	---	---	---	---	---
---	GAS	---	---	---	---	---	---	---
---	SIGNALS	---	---	---	---	---	---	---
○	MANHOLE	○	○	○	○	○	○	○
□	CATCH BASIN	□	□	□	□	□	□	□
△	CURB INLET	△	△	△	△	△	△	△
⌋	UTILITIES ADJUSTED	⌋	⌋	⌋	⌋	⌋	⌋	⌋
⌋	PLUG	⌋	⌋	⌋	⌋	⌋	⌋	⌋
⊕	HYDRANT	⊕	⊕	⊕	⊕	⊕	⊕	⊕
⊕	VALVE	⊕	⊕	⊕	⊕	⊕	⊕	⊕
⊕	CURB STOP	⊕	⊕	⊕	⊕	⊕	⊕	⊕
---	GROUND GRADE	---	---	---	---	---	---	---
(31.000)	PAVEMENT GRADE	(31.000)	(31.000)	(31.000)	(31.000)	(31.000)	(31.000)	(31.000)
---	ANCHOR	---	---	---	---	---	---	---
#111	CIVIC ADDRESS	#111	#111	#111	#111	#111	#111	#111
---	LEGEND-PLAN	---	---	---	---	---	---	---
---	LEGEND-PROFILE	---	---	---	---	---	---	---

LOCATIONS APPROVED UNDERGROUND STRUCTURES

SIGNED BY: _____ DATE: _____

LOCATION OF UNDERGROUND STRUCTURES AS SHOWN ARE BASED ON THE BEST INFORMATION AVAILABLE BUT NO GUARANTEE IS GIVEN THAT ALL EXISTING UTILITIES ARE SHOWN OR THAT THE GIVEN LOCATIONS ARE EXACT CONFIRMATION OF EXISTENCE AND EXACT LOCATION OF ALL SERVICES MUST BE OBTAINED FROM THE INDIVIDUAL UTILITIES BEFORE PROCEEDING

NO.	REVISIONS	DATE	BY
H			
G			
F			
E			
D			
C	ISSUE FOR TENDER	2018-03-19	MV
B	ISSUE FOR UNDERGROUND STRUCTURES	2018-10-22	MV
A	ISSUE FOR CLIENT REVIEW	2018-09-29	MV

wsp

WSP Canada Group Limited
Suite 111 - 93 Lombard Ave
Winnipeg, MB R3B 3B1
t. 204.943.3178
f. 204.943.4948
www.wsp.com

DESIGNED BY: MV
CHECKED BY: TP
DRAWN BY: SB
APPROVED BY: VM

HOR. SCALE: 1:250
VERTICAL: 1:10

DATE: 2018-02-12

ENGINEER'S SEAL

V.M. MAROTI
Member
30809

CONSULTANT ACAD. DWG. NO.
18M-00025-00-C-05

THE CITY OF WINNIPEG
PUBLIC WORKS DEPARTMENT
ENGINEERING SERVICES DIVISION

2018 REGIONAL STREET PROGRAM

COLONY STREET
PORTAGE AVENUE TO ELLICE AVENUE

PAVEMENT REHABILITATION
STA. 8+20 TO STA. 9+10

CITY DRAWING NUMBER: P-3497-02
SHEET: 05 OF 7
BID NO.: 137-2019