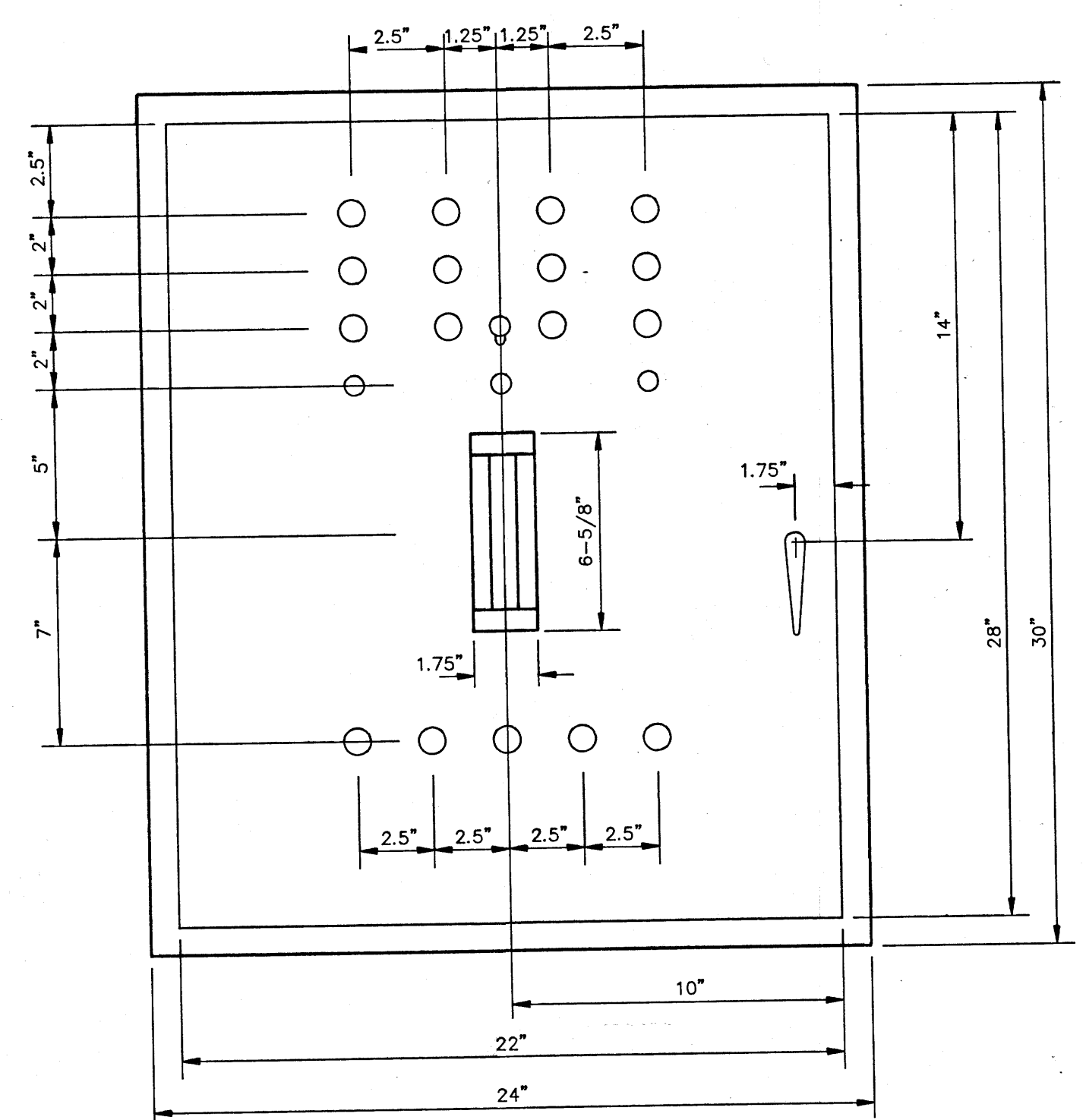
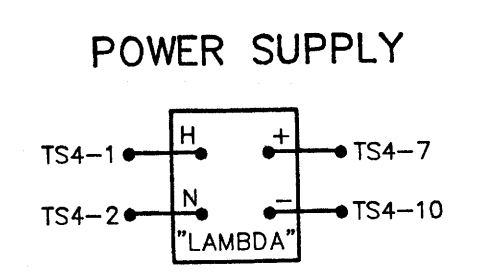
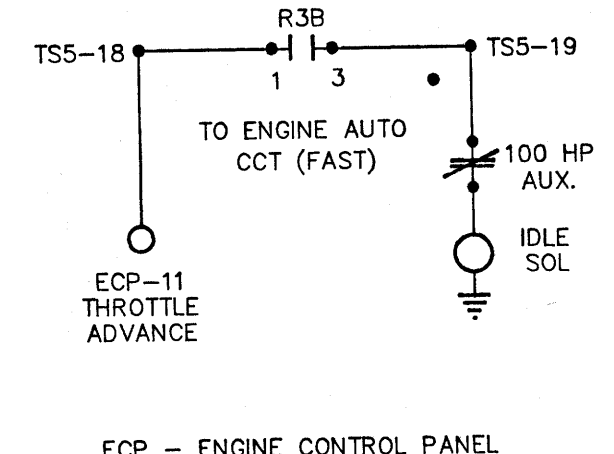
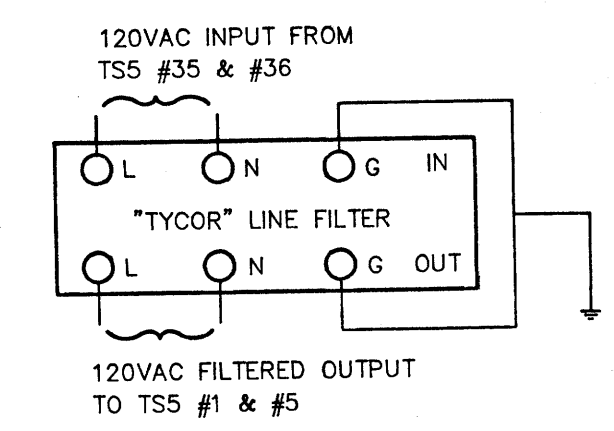
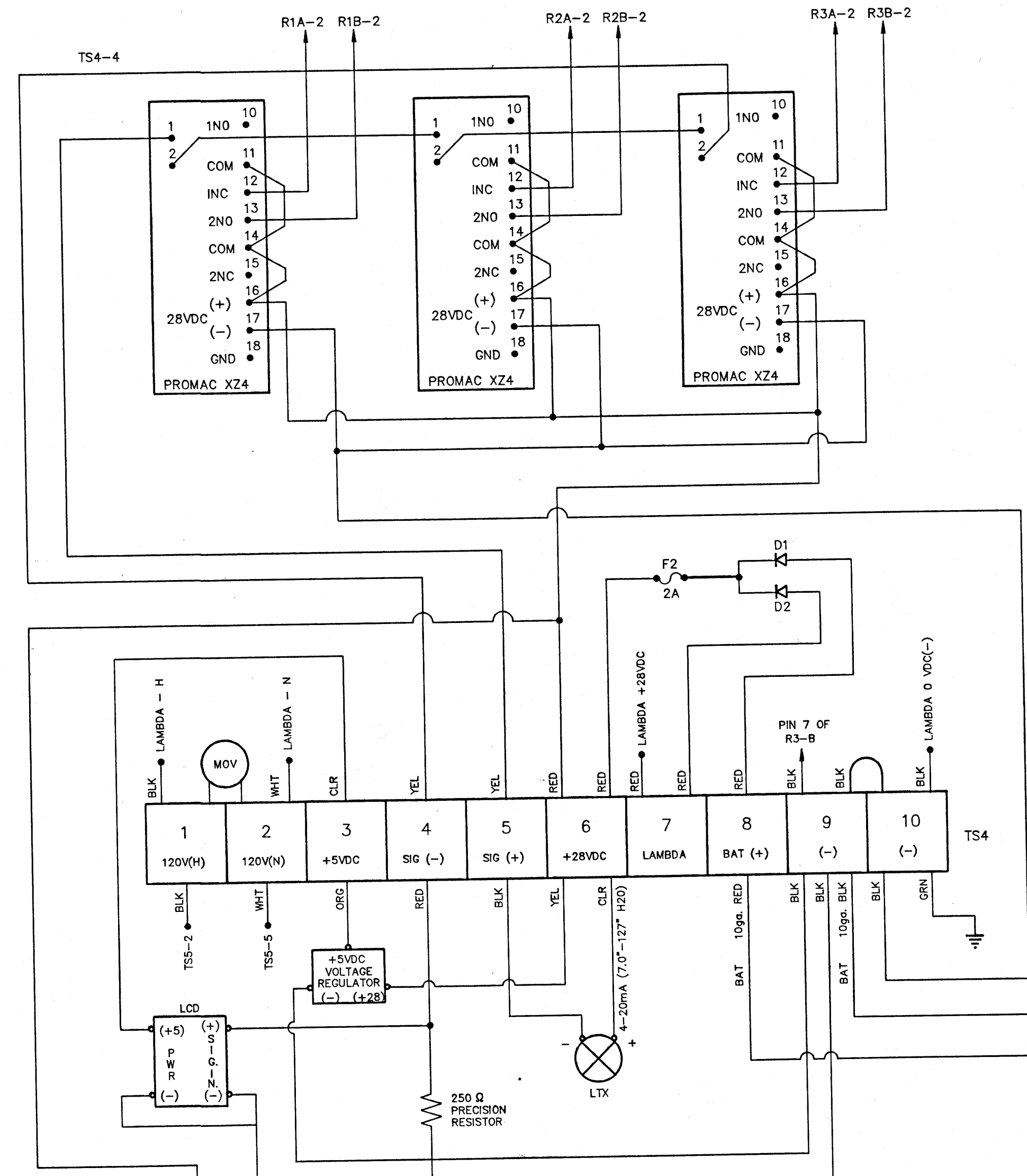
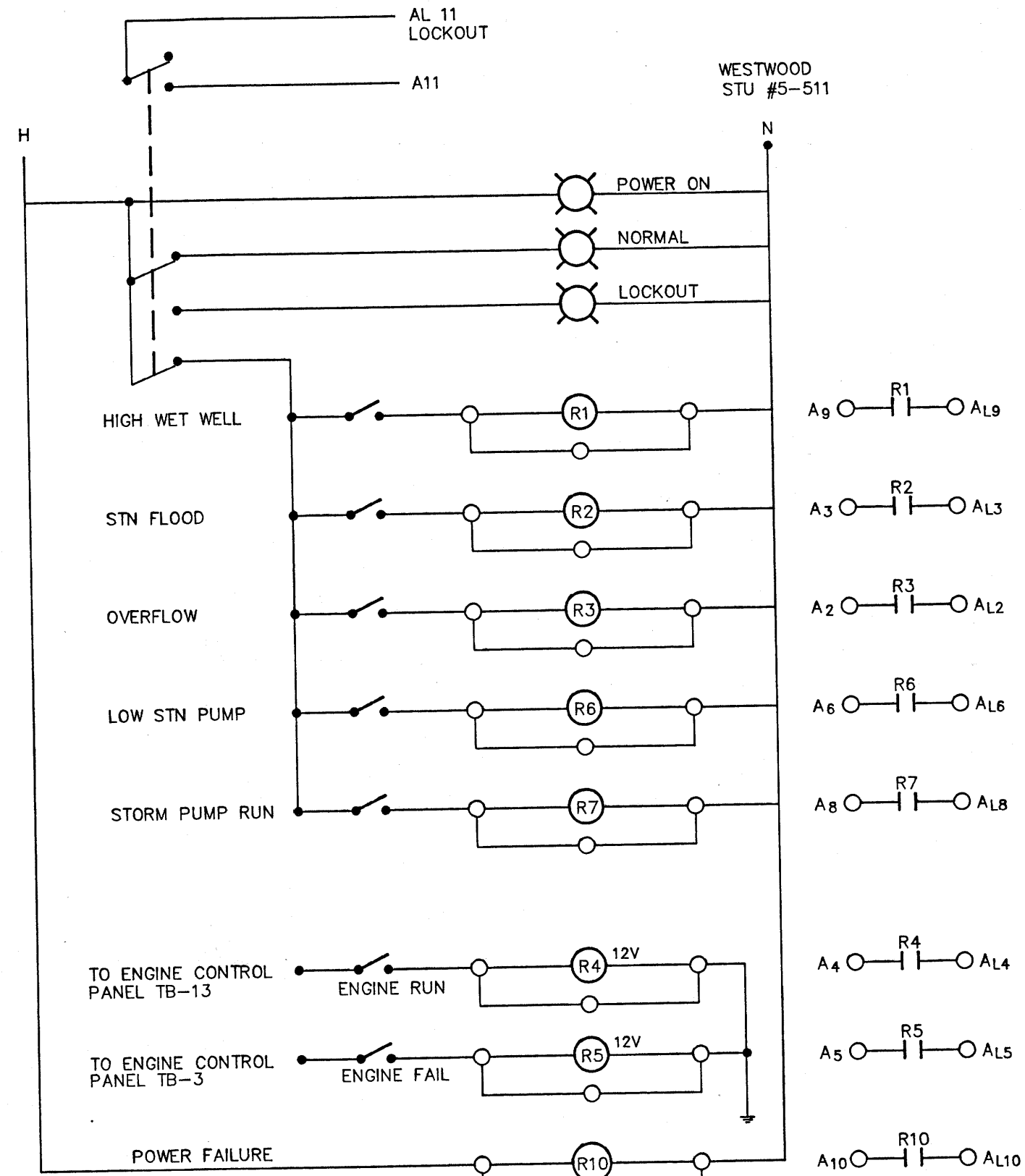
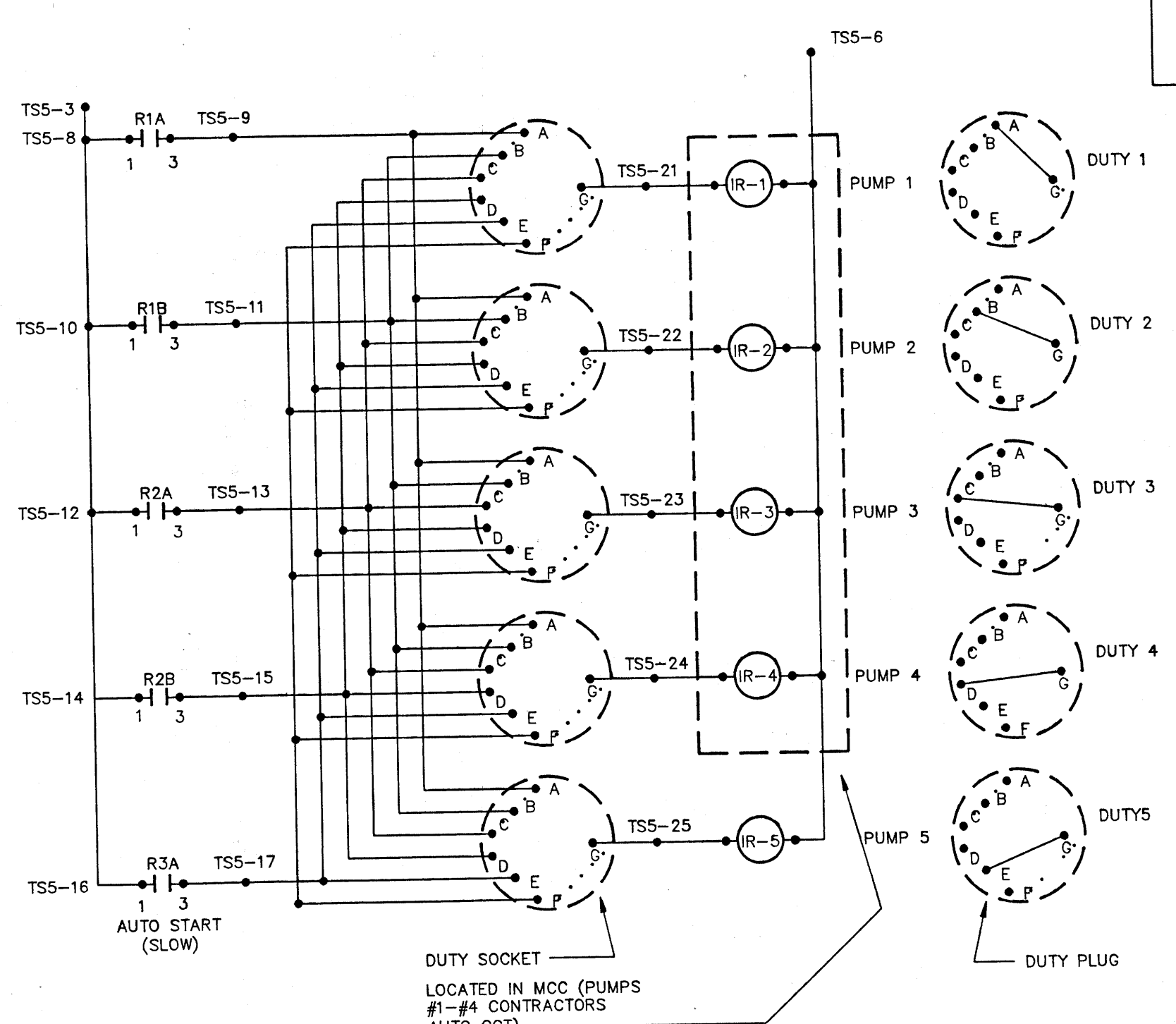


ALARM SCHEMATIC

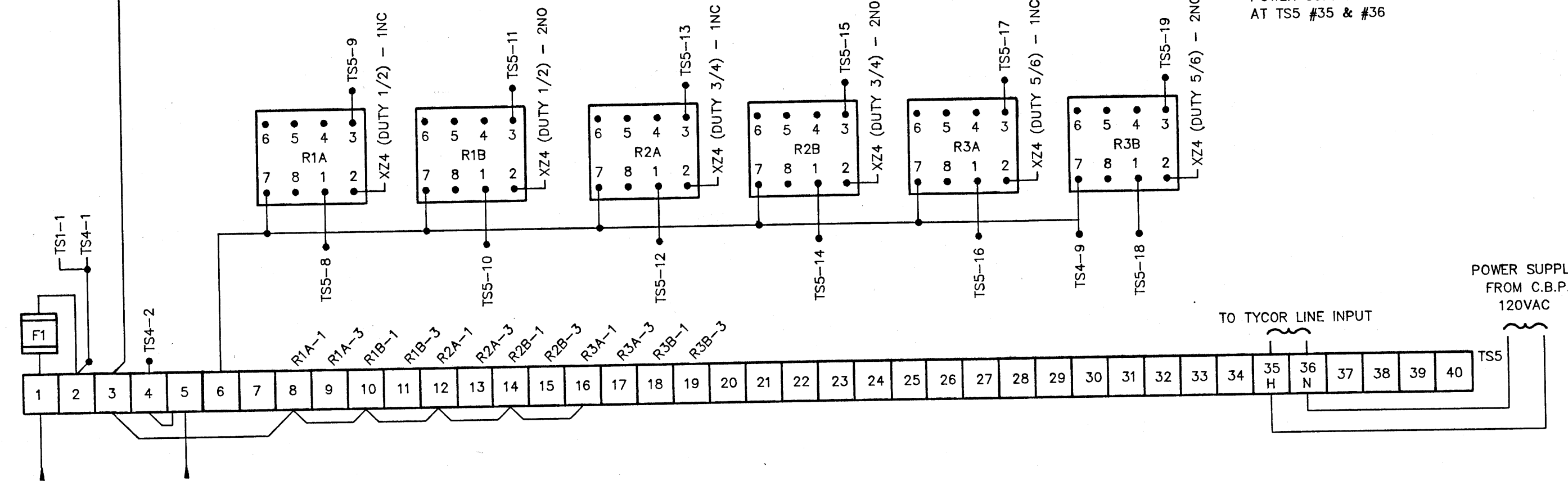
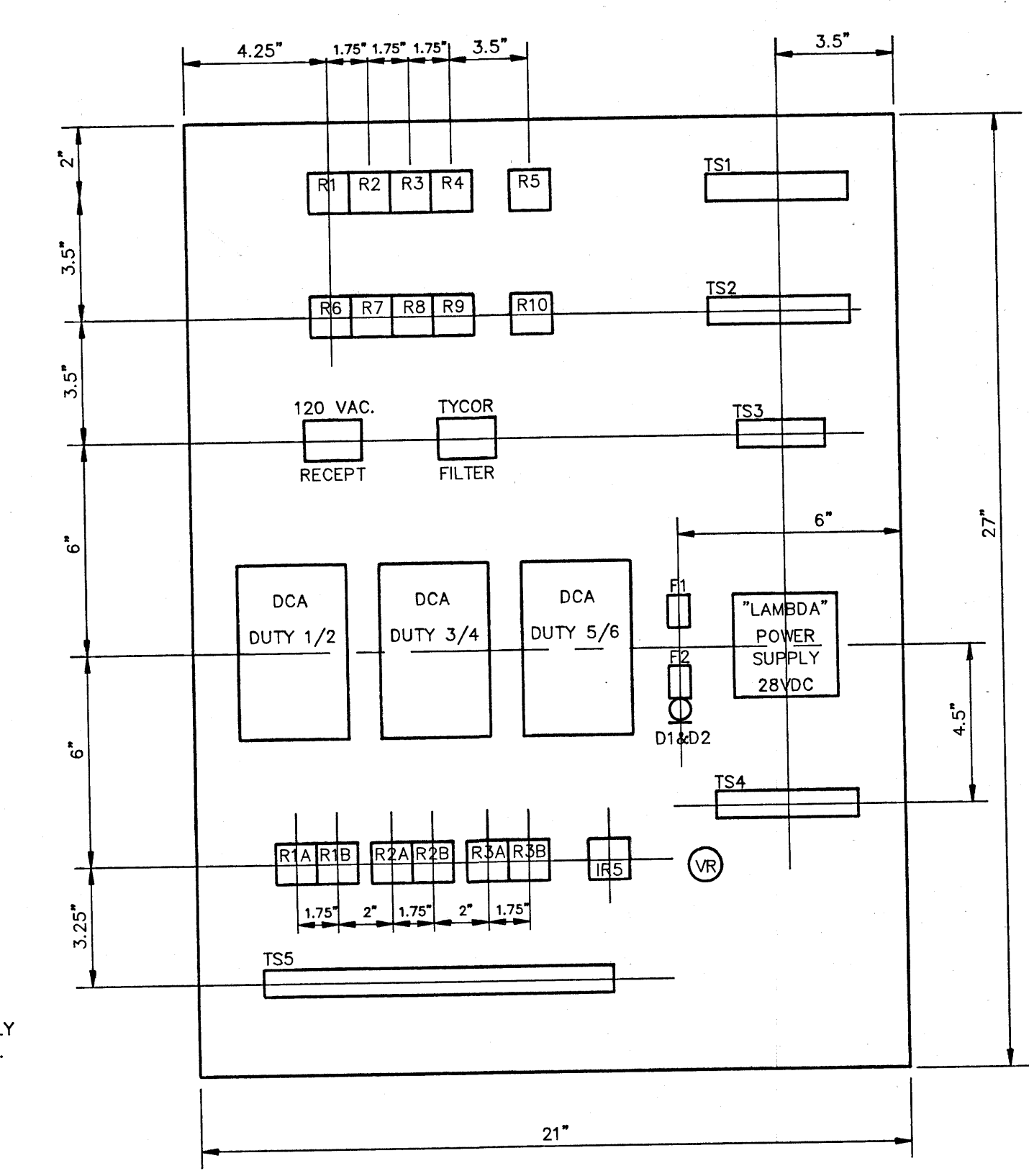
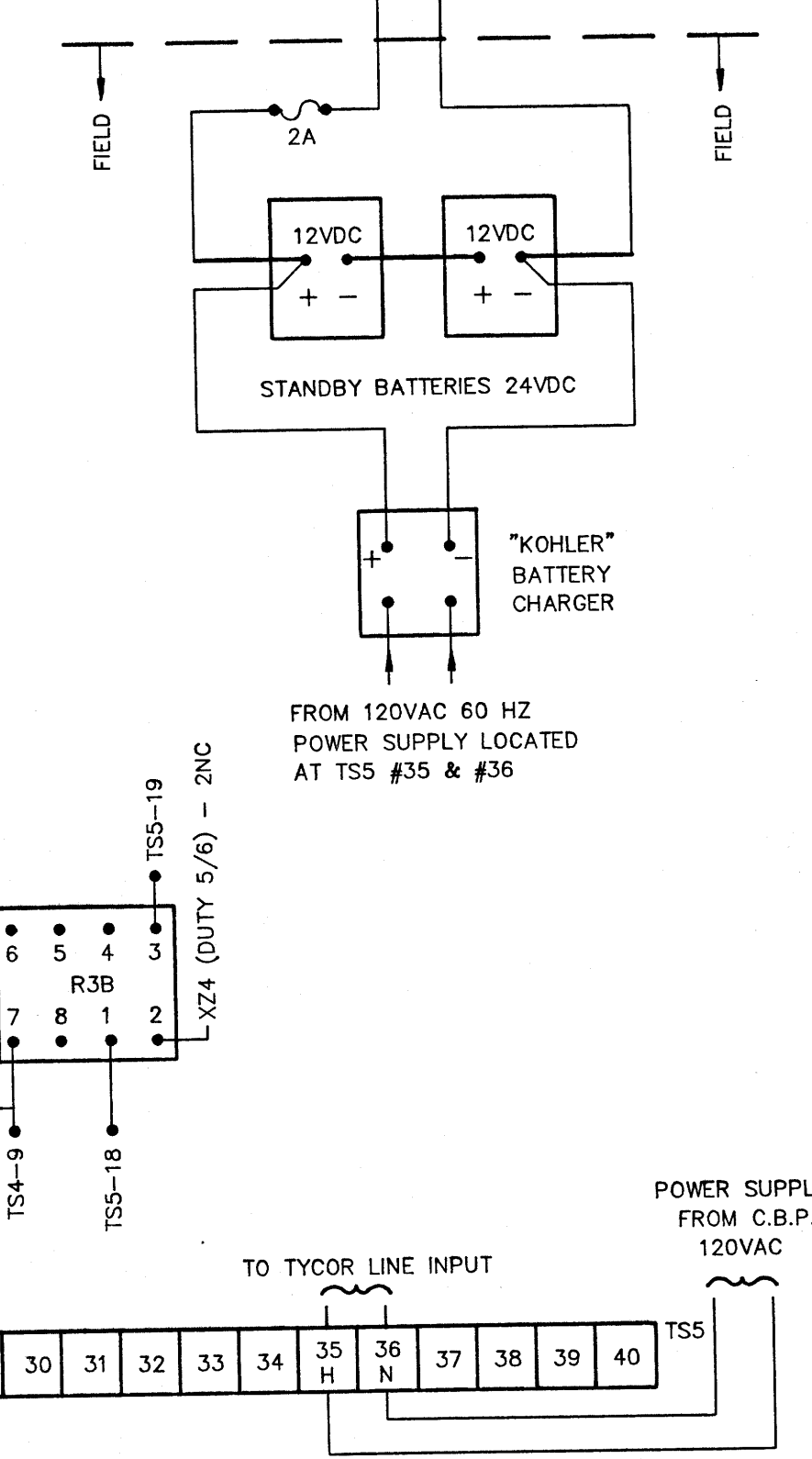


- NOTE: HOLE DIMENSIONS:
- 1.) LIGHTS - 3/8"
 - 2.) P. BUTTONS - 15/32"
 - 3.) SWITCH - 15/32"
 - 4.) DUTY SOCKETS
 - 4.1) 19 PIN - 1-3/8"
 - 4.2) 14 PIN - 1-1/4"
 - 5.) METER - 1-3/4" X 6-5/8"



DUTY	ON	VDC	%	mA	OFF	VDC	%	mA
1	54"	2.8	45	11.2	24	1.8	20	7.2
2	60"	3.0	50	12.0	30	2.0	25	8.0
3	66"	3.2	55	12.8	36	2.2	30	8.8
4	72"	3.4	60	13.6	42	2.4	35	9.6
5	90"	4.0	75	16.0	60	3.0	50	12.0
GAS (FAST)	96"	4.2	80	16.8	54	2.8	45	11.2

NOTE: ZERO SUPPRESSION OF 7.0" H2O
SPAN → 7.0" → 127" H2O



NO.	REVISIONS	DATE	BY
2	REVISED TO DATE	93.02.18	MTS
1.	MOORE ALARMS REPLACED BY PROMAC XZ4 & WIRING REVISION	93.01	LO

DESIGNED BY	R. HAHLWEG	CHECKED BY	K. DALTON
DRAWN BY	L. OBIREK	APPROVED BY	
HOR. SCALE	N.T.S.	RELEASED FOR CONSTRUCTION	
VERTICAL		DATE	1993 01 18

ENGINEER'S SEAL

THE CITY OF WINNIPEG
WORKS AND OPERATIONS DIVISION
WATERWORKS WASTE AND DISPOSAL DEPARTMENT

WESTWOOD FLOOD STATION
AUTOMATIC LEVEL CONTROL
AND ALARM SYSTEM

WIRING DIAGRAM AND PANEL LAYOUT

SHEET OF
CITY DRAWING NUMBER
92-FS-Q-5

file # FP10137