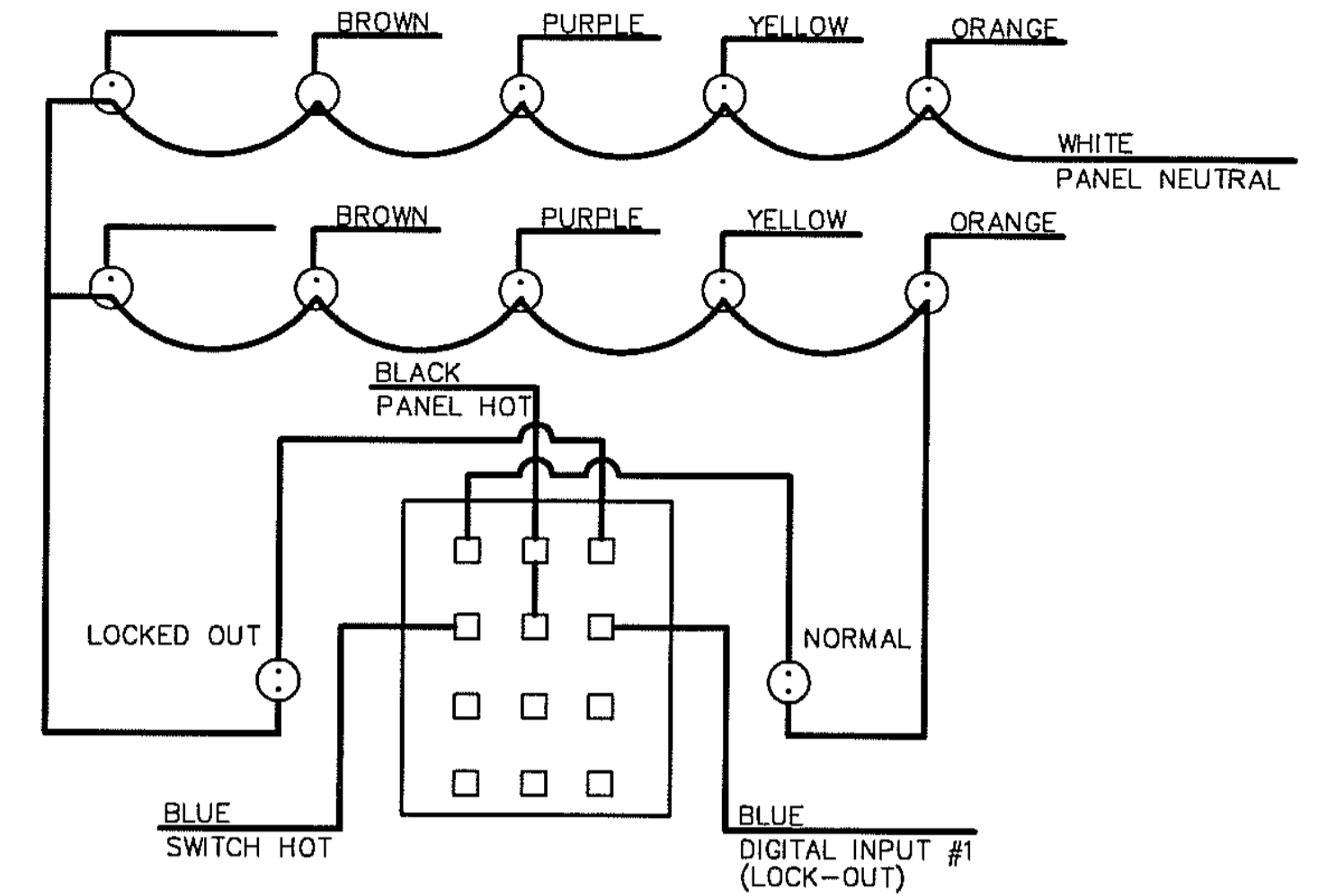
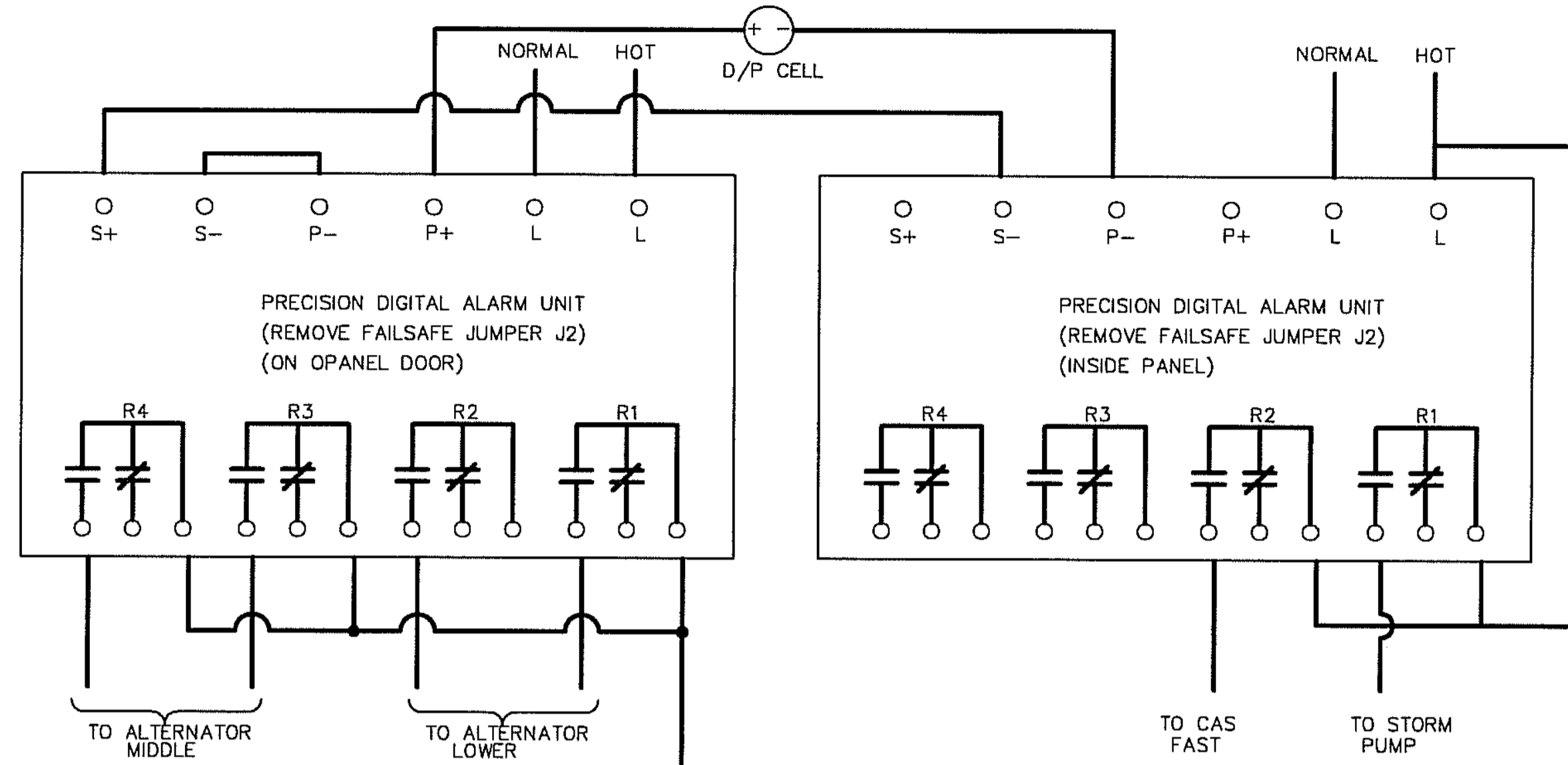


ALARM WIRING TEMPLATE

| ALARM INPUT | DESCRIPTION | PLC ADDRESS | COLOR |
|----------------|-------------------------|-------------|--------------|
| ALARM INPUT 1 | LOCKOUT | 10001 | BLUE |
| ALARM INPUT 2 | OVERFLOW | 10002 | BLUE/WHITE |
| ALARM INPUT 3 | STATION FLOOD | 10003 | BLUE/RED |
| ALARM INPUT 4 | LOW INSTR. AIR | 10004 | BLUE/BLACK |
| ALARM INPUT 5 | LOW TEMP | 10005 | RED |
| ALARM INPUT 6 | LOSS OF SEAL WATER | 10006 | RED/BLACK |
| ALARM INPUT 7 | GENERATOR RUN | 10007 | RED/WHITE |
| ALARM INPUT 8 | POWER FAILURE | 10008 | ORANGE |
| ALARM INPUT 9 | FLOOD STN HIGH WET WELL | 10009 | ORANGE/RED |
| ALARM INPUT 10 | FLOOD STN FLOOD | 10010 | ORANGE/BLACK |
| ALARM INPUT 11 | GENERATOR FAIL | 10011 | BLACK |
| ALARM INPUT 12 | WET WELL UPPER | 10012 | BLACK/WHITE |
| ALARM INPUT 13 | COM/PUMP FAILURE | 10013 | BLACK/RED |
| ALARM INPUT 14 | ENGINE RUN | | GREEN |
| ALARM INPUT 15 | ENGINE FAIL | | GREEN/BLACK |
| ALARM INPUT 16 | UPS FAIL | | GREEN/WHITE |

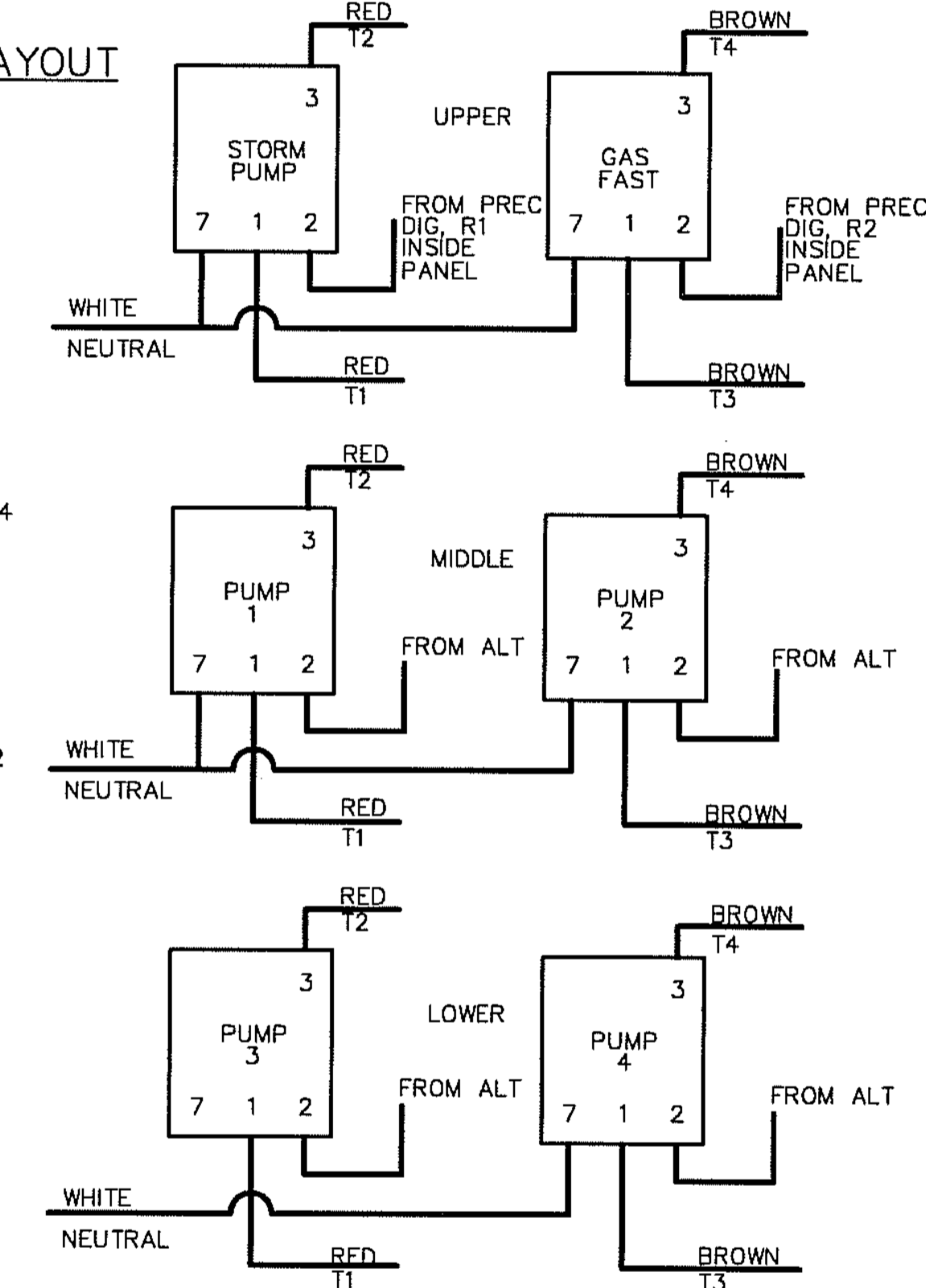
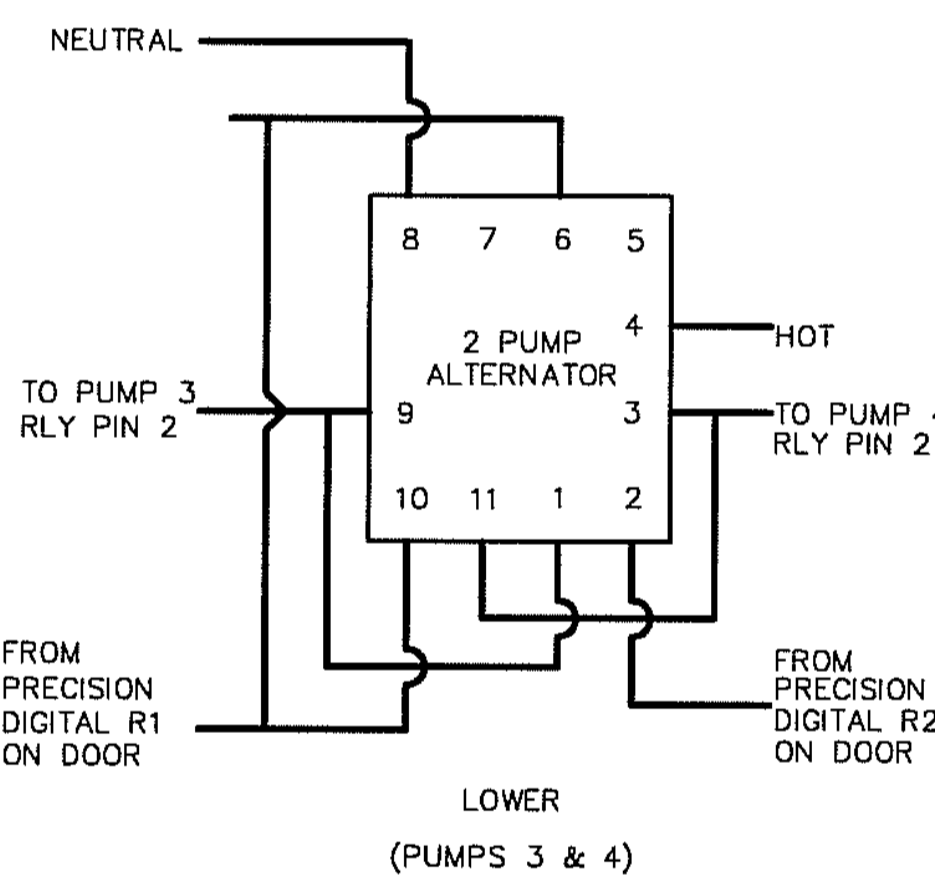
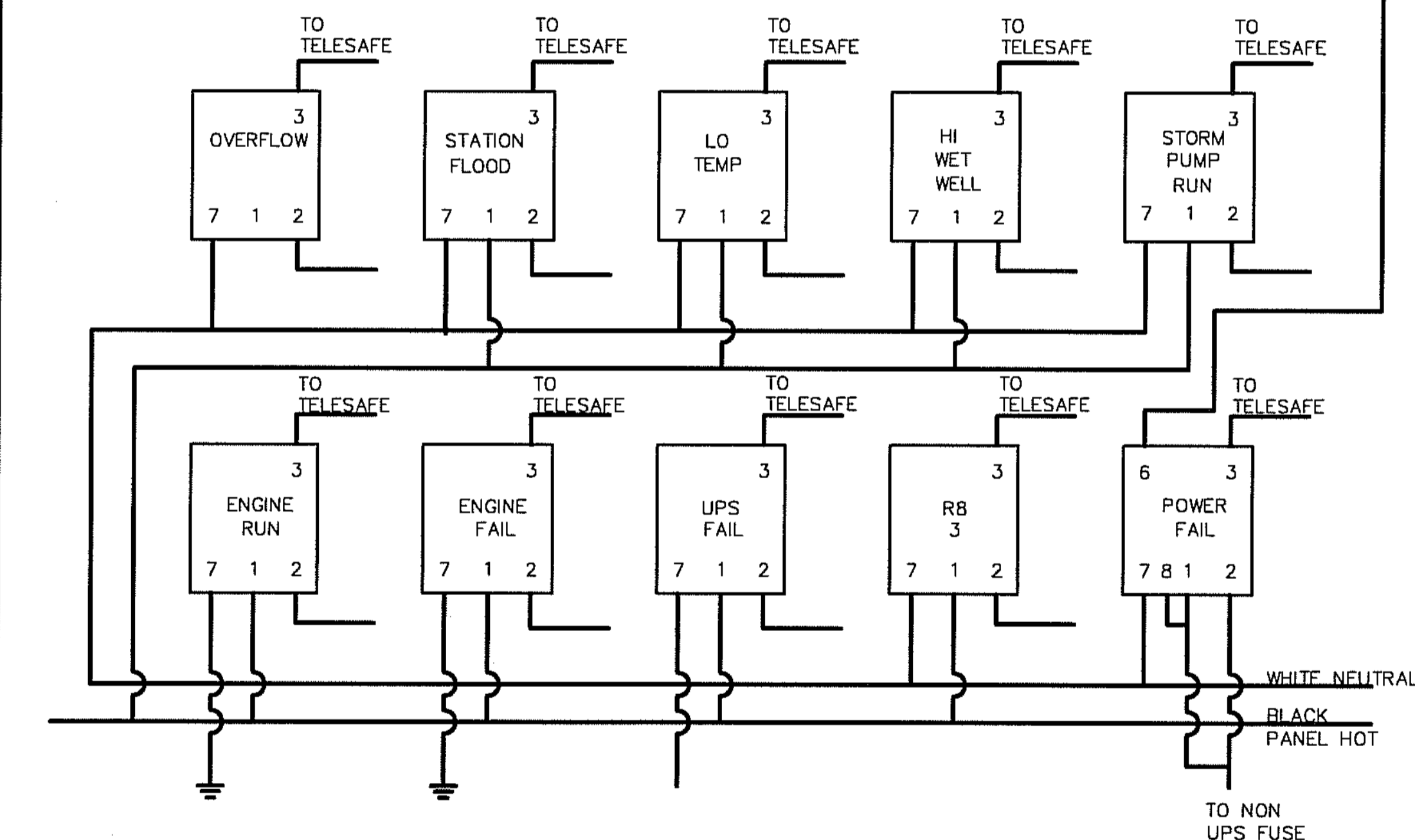
ANY OTHER TYPES OF ALARMS ARE TO BE WIRED TO ALARM INPUTS 14 TO 16 OTHERWISE CALL THE METER SHOP FOR FURTHER INSTRUCTIONS

| ANALOG WIRING | PLC ADDRESS |
|---------------|-------------------|
| INPUT 1 | LIFT LEVEL 30001 |
| INPUT 2 | FLOOD LEVEL 30002 |
| INPUT 3 | FLOW 30003 |

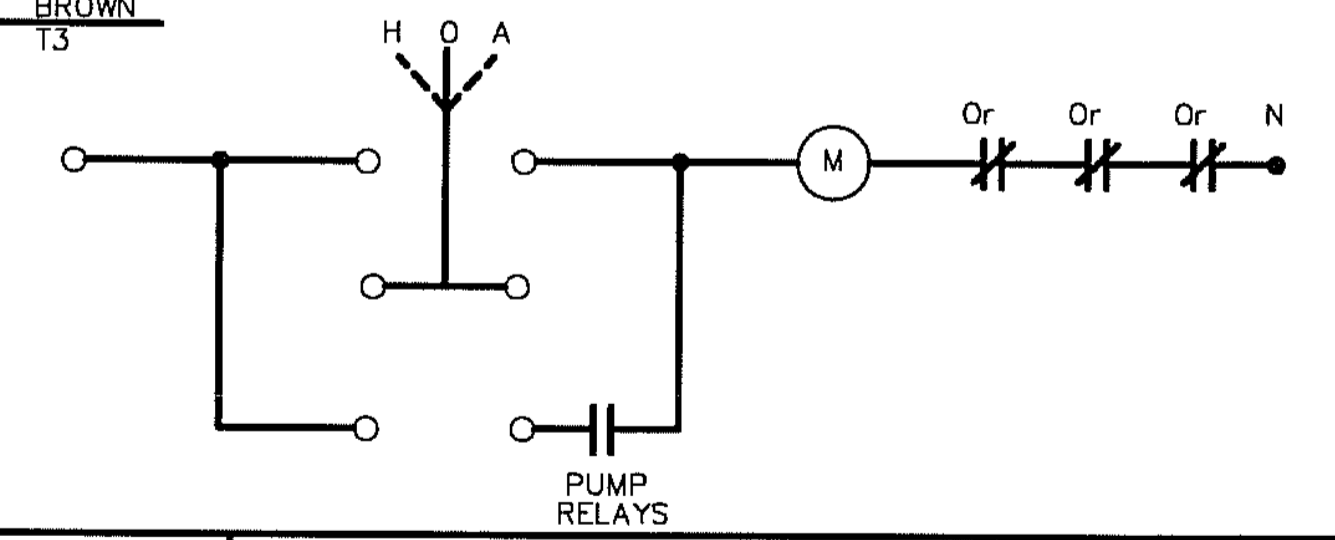
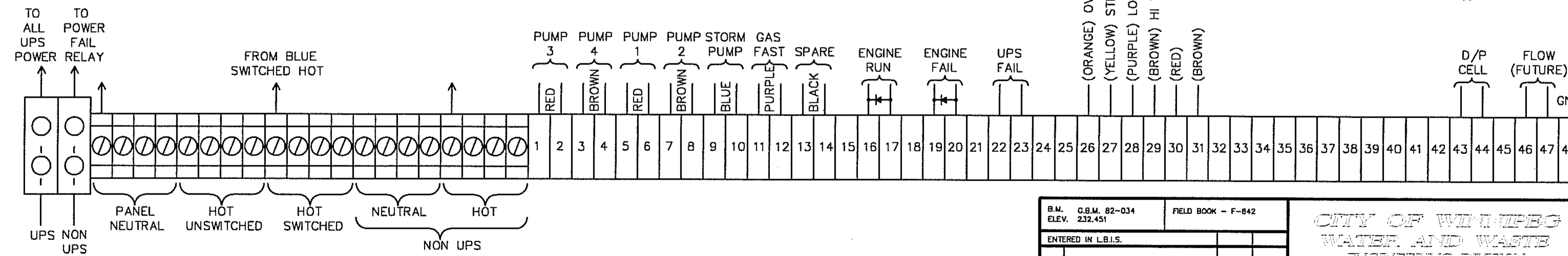


WIRING DIAGRAM

ELECTRICAL DISTRIBUTION LAYOUT



TYPICAL MOTOR STARTER



| | | | | | |
|-------------------------------------|---------------------------|--|-------------|---|--|
| B.M. G.S.M. 82-034 ELEV. 232-451 | FIELD BOOK - F-842 | CITY OF WINNIPEG WATER AND WASTE ENGINEERING DIVISION | | ENGINEER'S SEAL | THE CITY OF WINNIPEG WATER AND WASTE DEPARTMENT |
| DESIGNED BY | CHECKED BY | DRAWN BY EN | APPROVED BY | WESTWOOD LIFT STATION ELECTRICAL AND CONTROL | |
| HOR. SCALE NTS | RELEASED FOR CONSTRUCTION | DATE 200 02 15 | DATE | | SHEET OF |
| NO. REVISIONS | DATE BY | DATE | DATE | CITY DRAWING NUMBER | |
| | | | | 4589 | |

©:\DRAWINGS\SEWER\COMBINED\WFTSTATION\4589.DWG