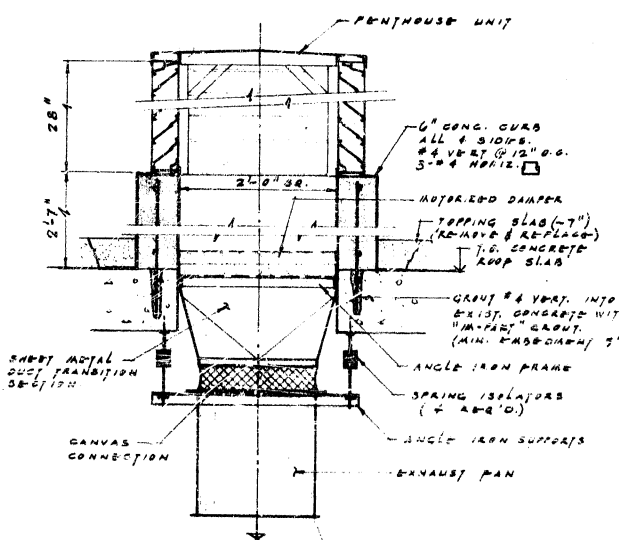
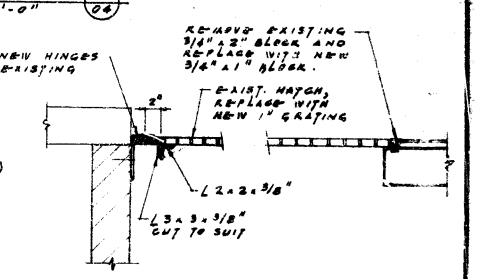
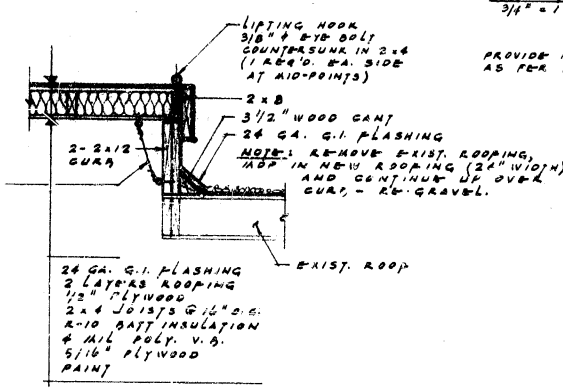
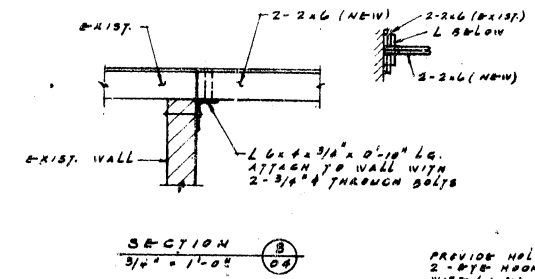
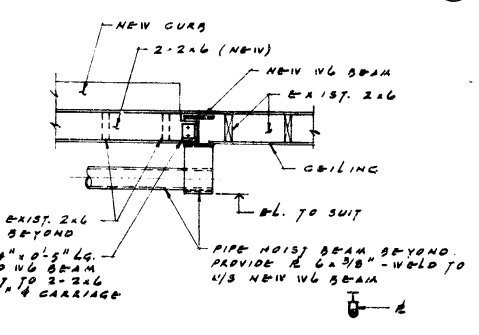
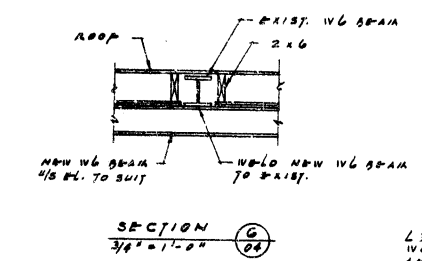
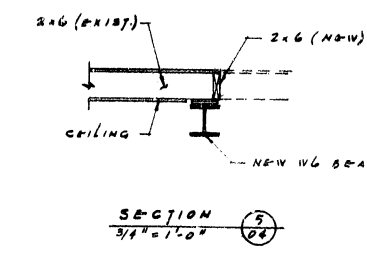
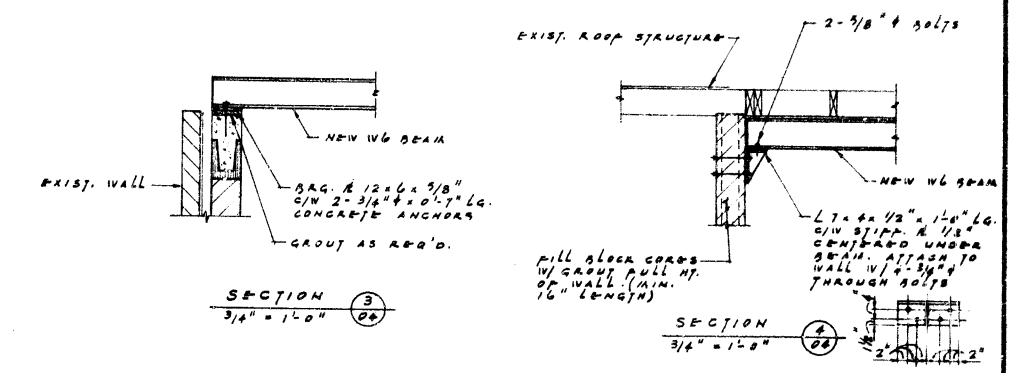
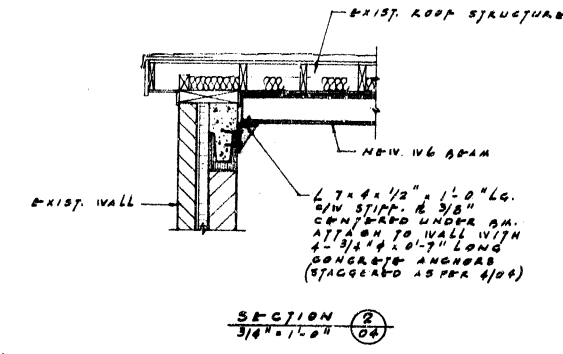
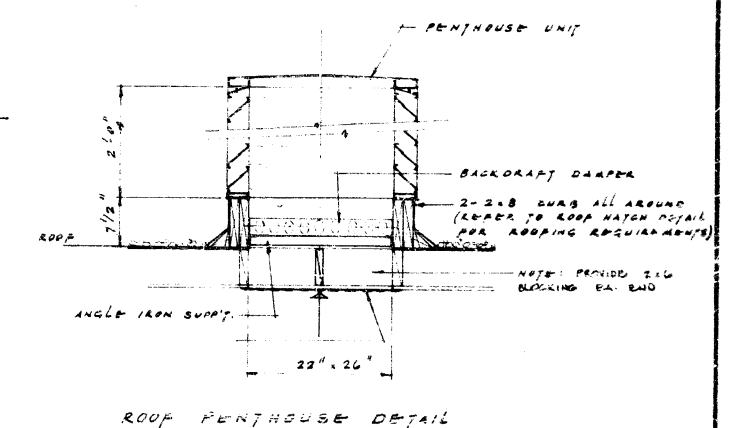


SECTION 1
3/8" = 1'-0"



ROOF HATCH DETAIL
1" = 1'-0"



ROOF PENTHOUSE DETAIL

24/1/15



UNDERWOOD McLELLAN & ASSOCIATES LTD. ENGINEERING & PLANNING CONSULTANTS BRITISH COLUMBIA, ALBERTA, SASKATCHEWAN, MANITOBA, ONTARIO			CITY OF WINNIPEG DISTRICT 2 WORKS AND OPERATIONS		SCALE AS NOTED JOB NO. 01-0265-112-01
APPROVED BY 	DRAWN BY A.T. J.K.O.	CHECKED BY 	DATE 11/20/15	SHEET 4 OF 5 DWG. No. 04	
WESTWOOD SEWAGE LIFT STATION ALTERATIONS AND ADDITIONS 2					