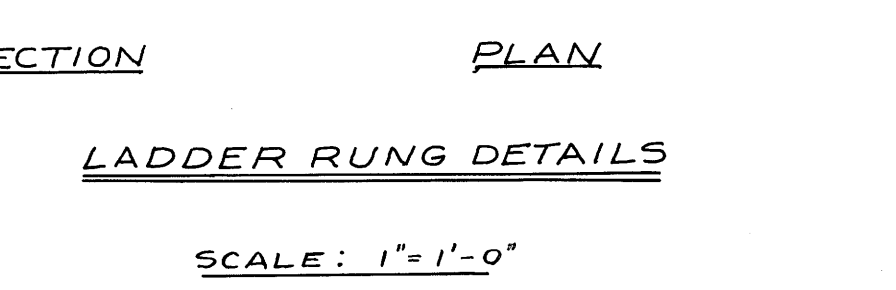
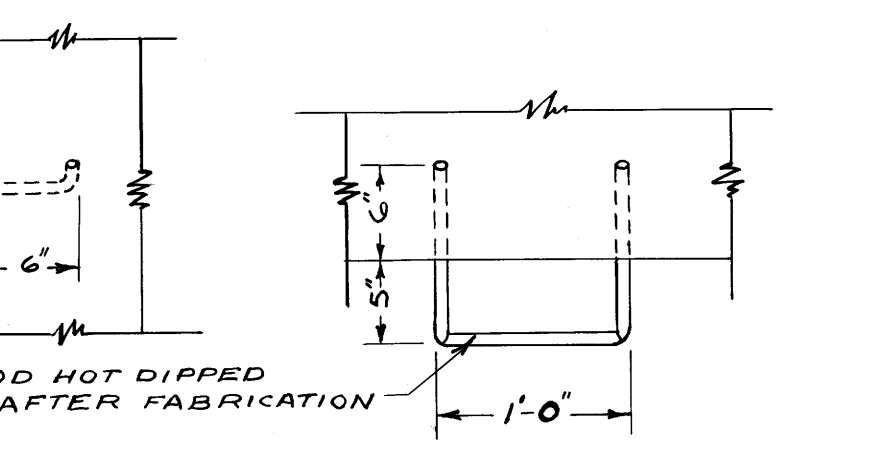
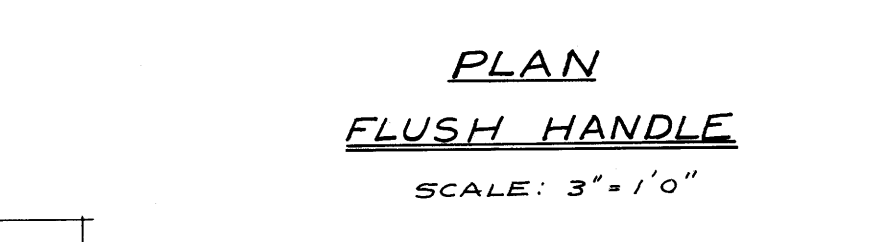
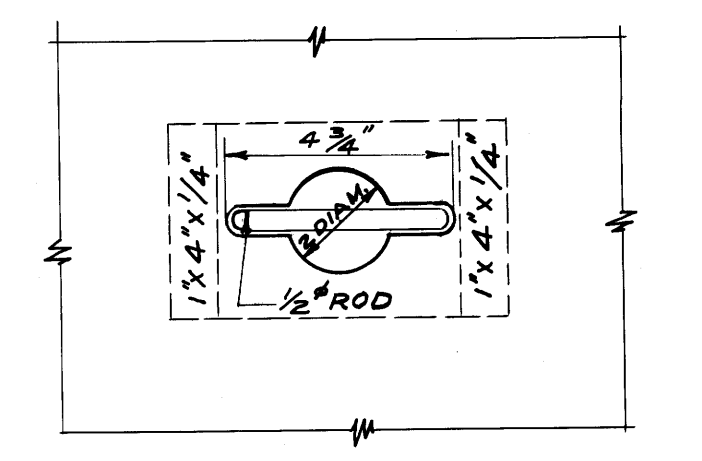
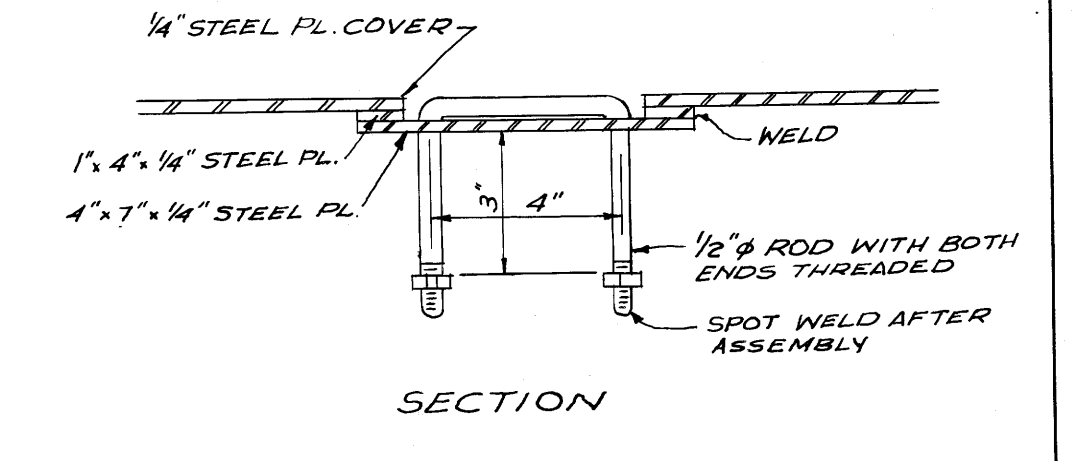
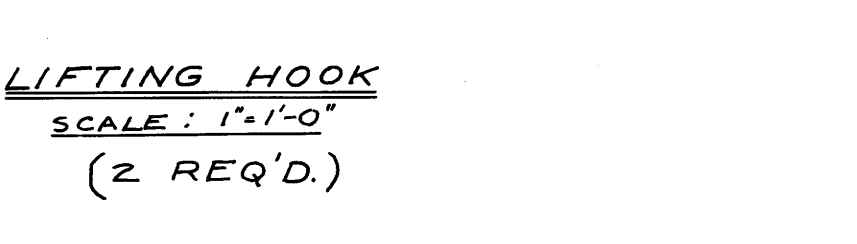
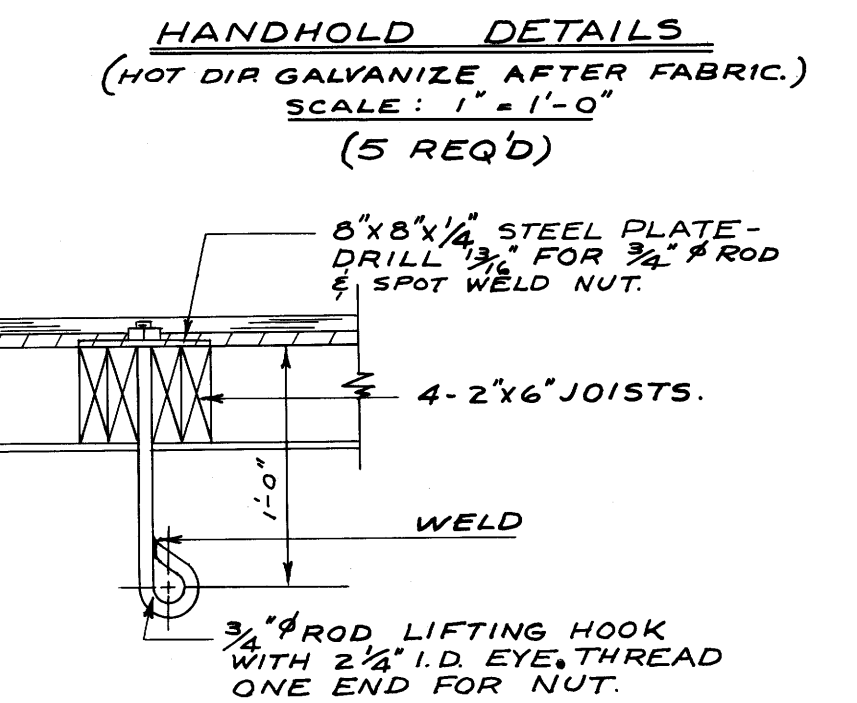
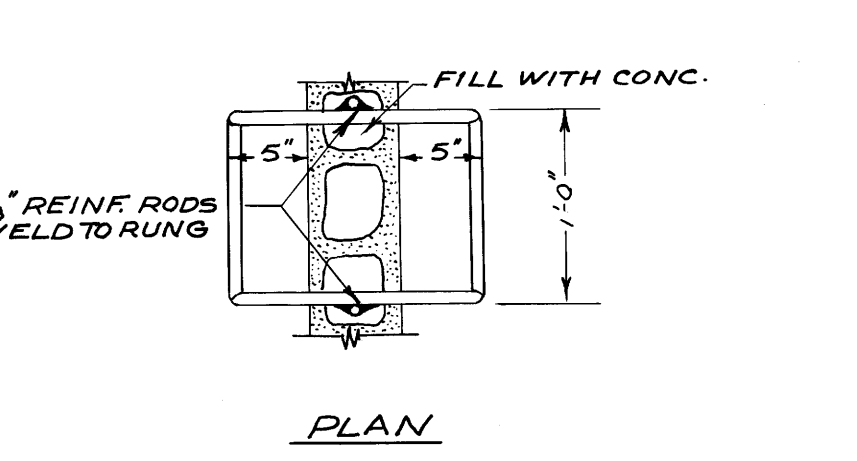
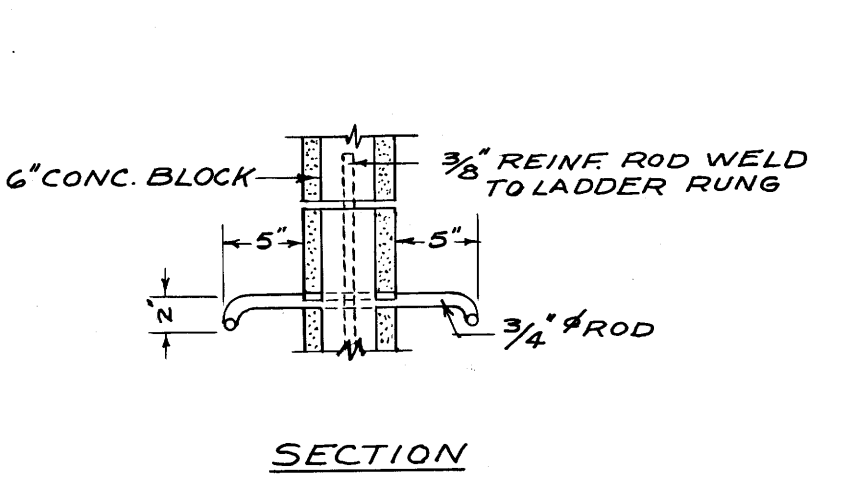
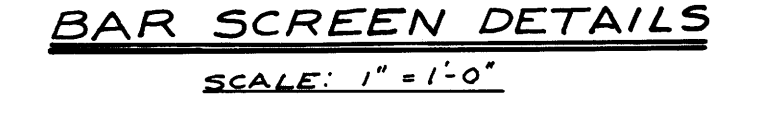
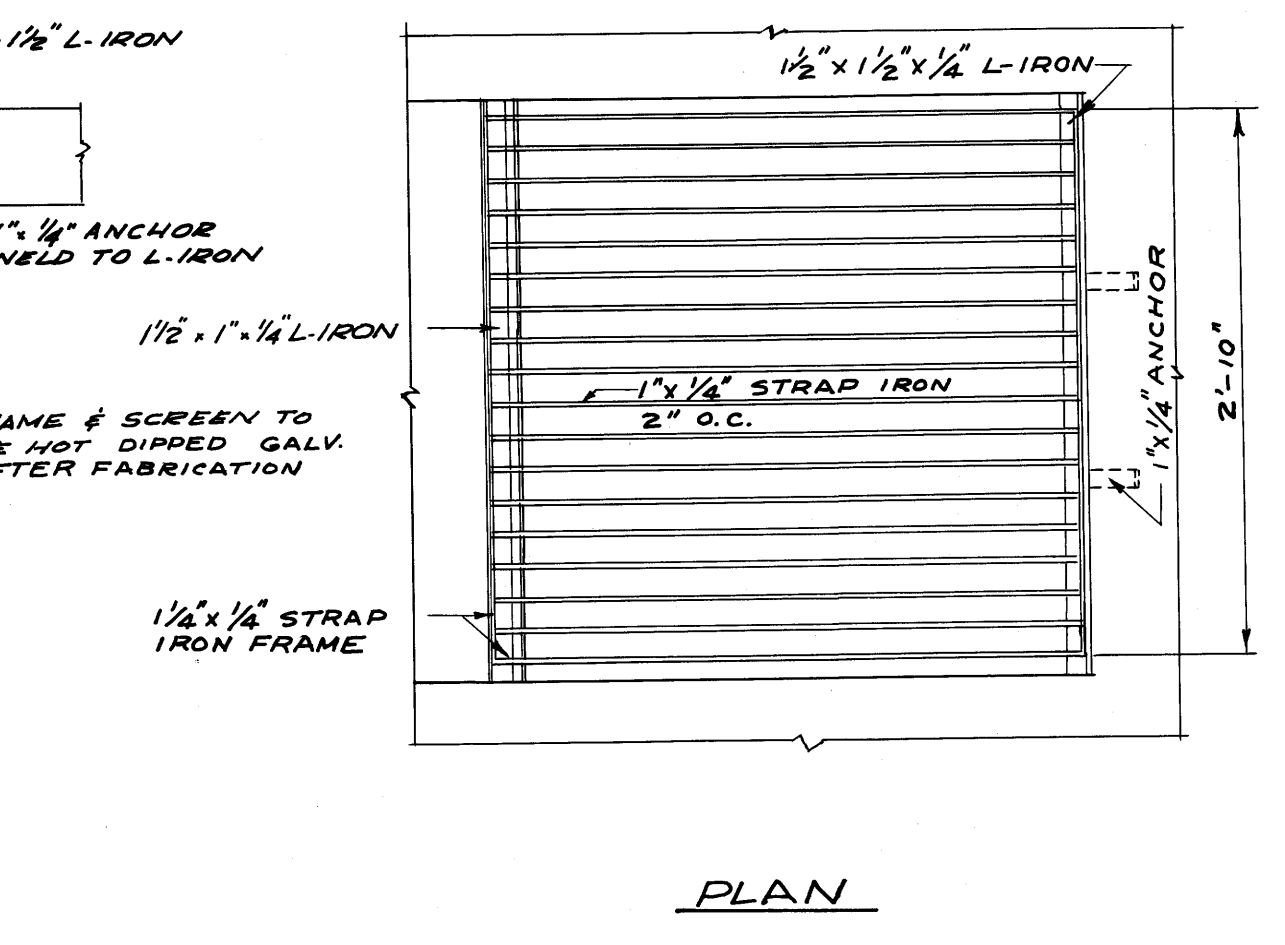
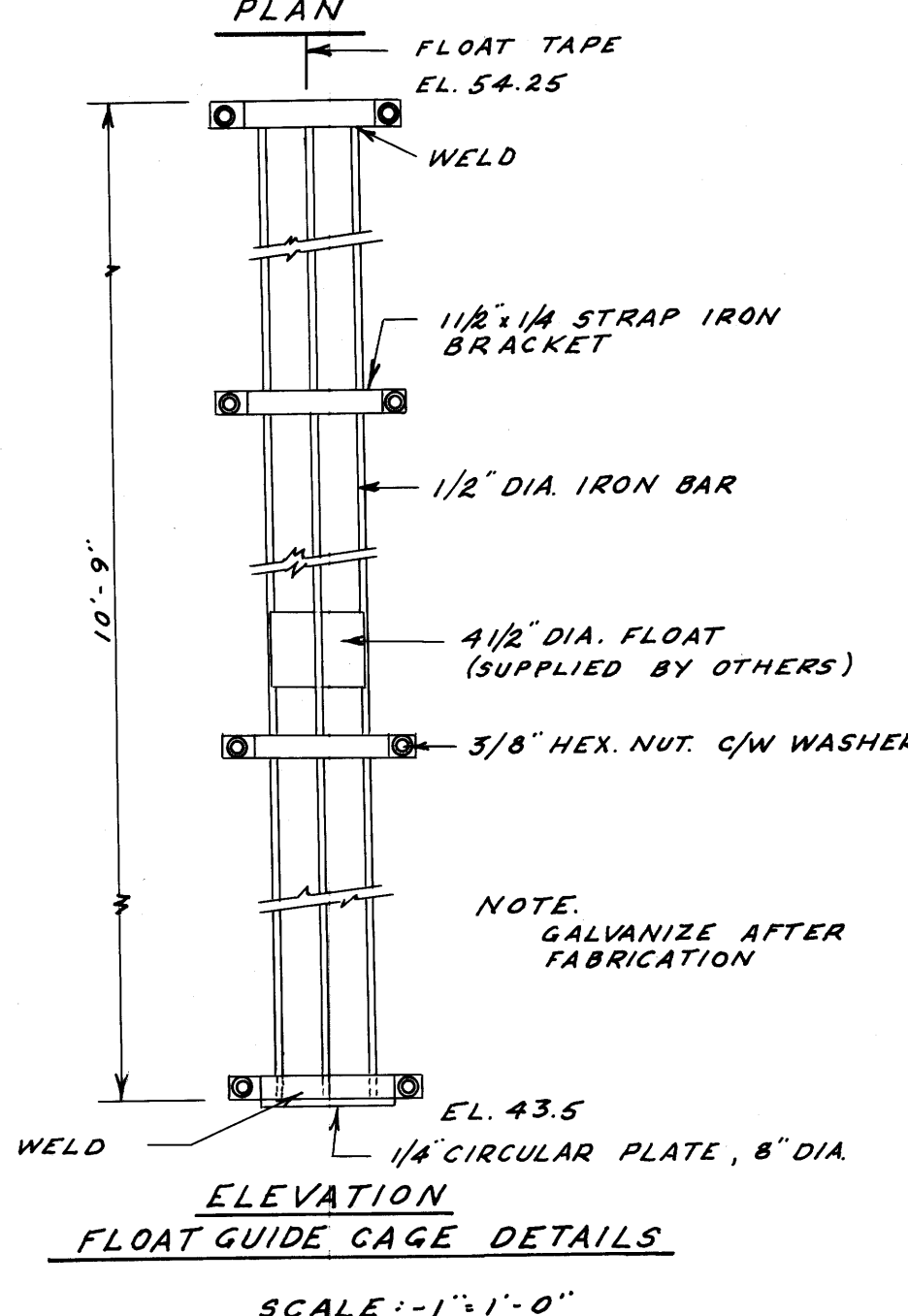
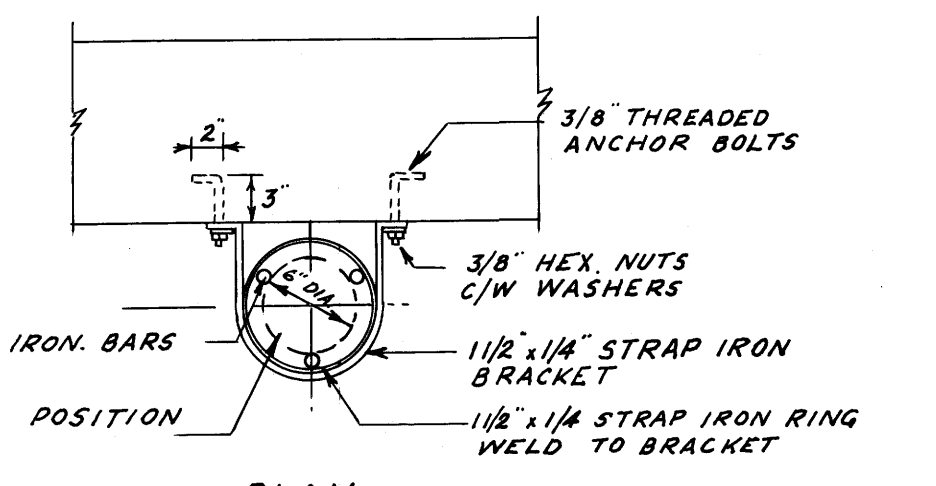
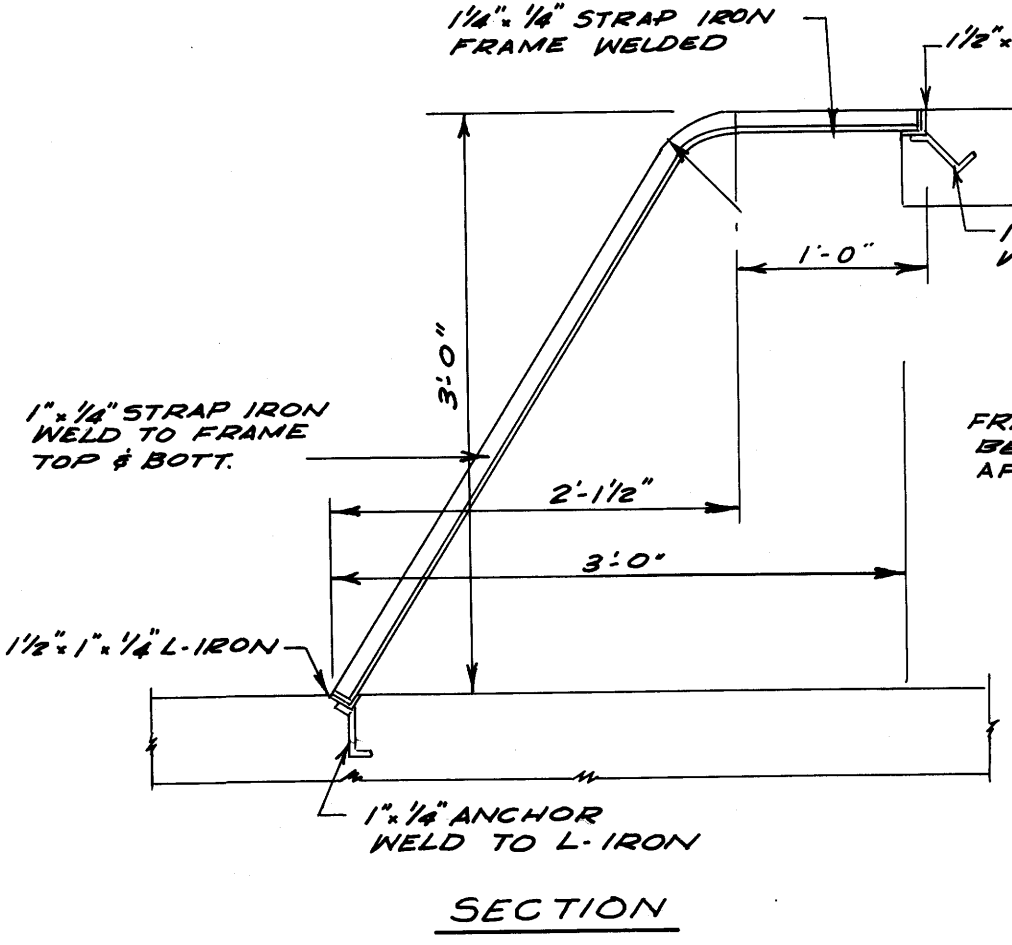
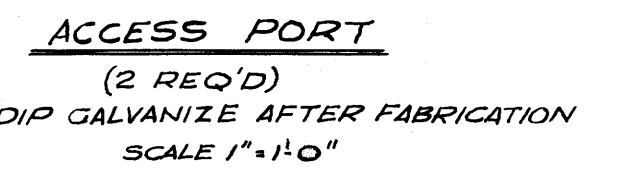
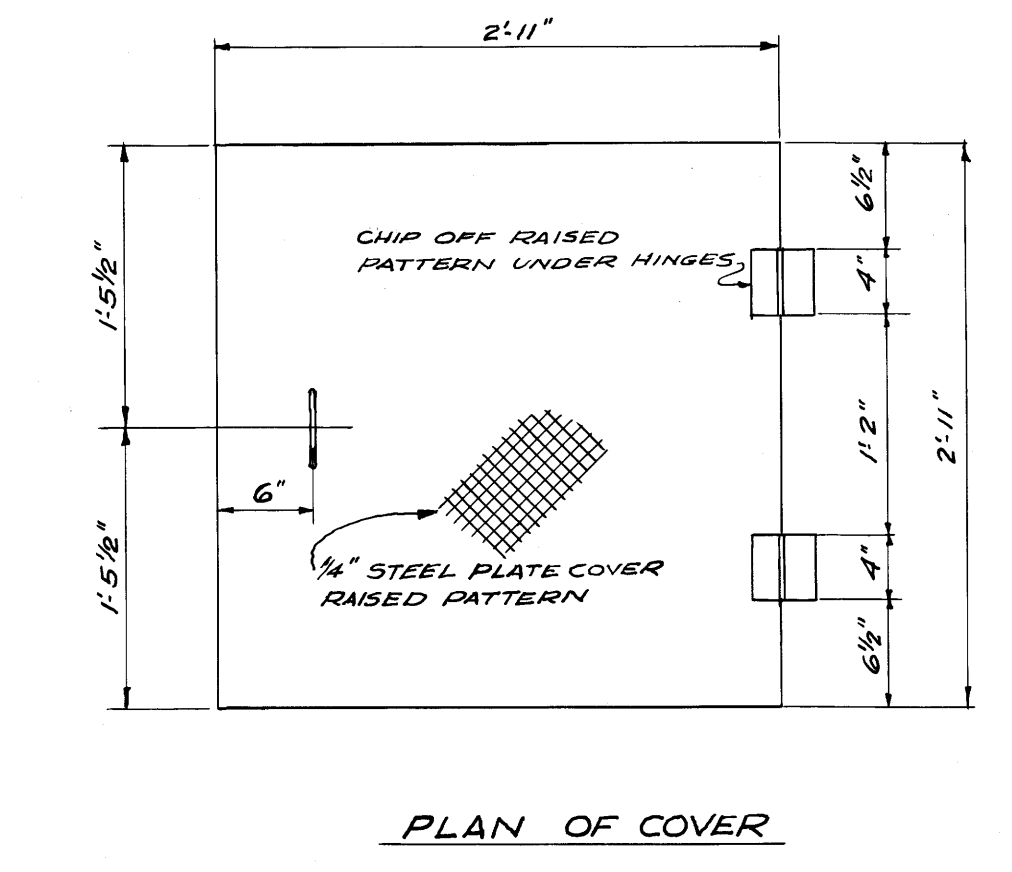
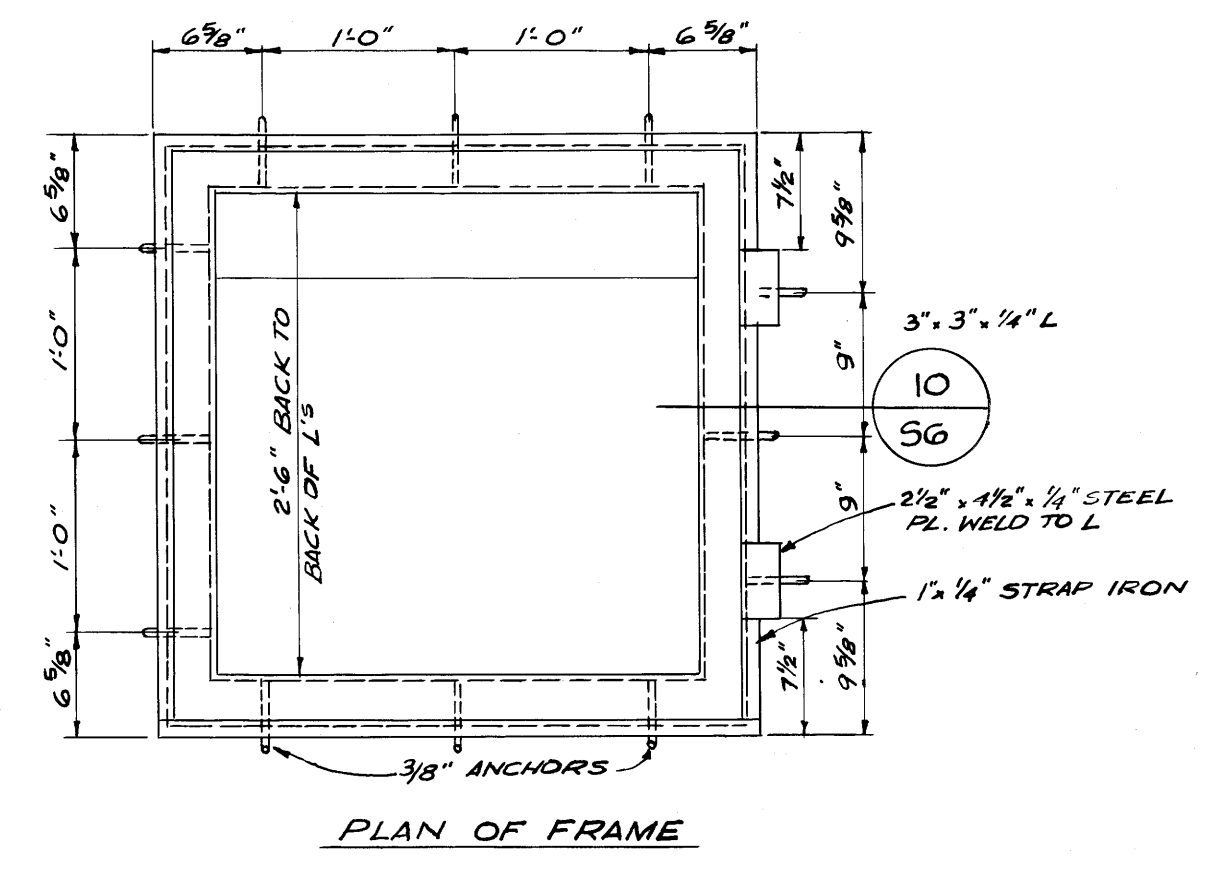
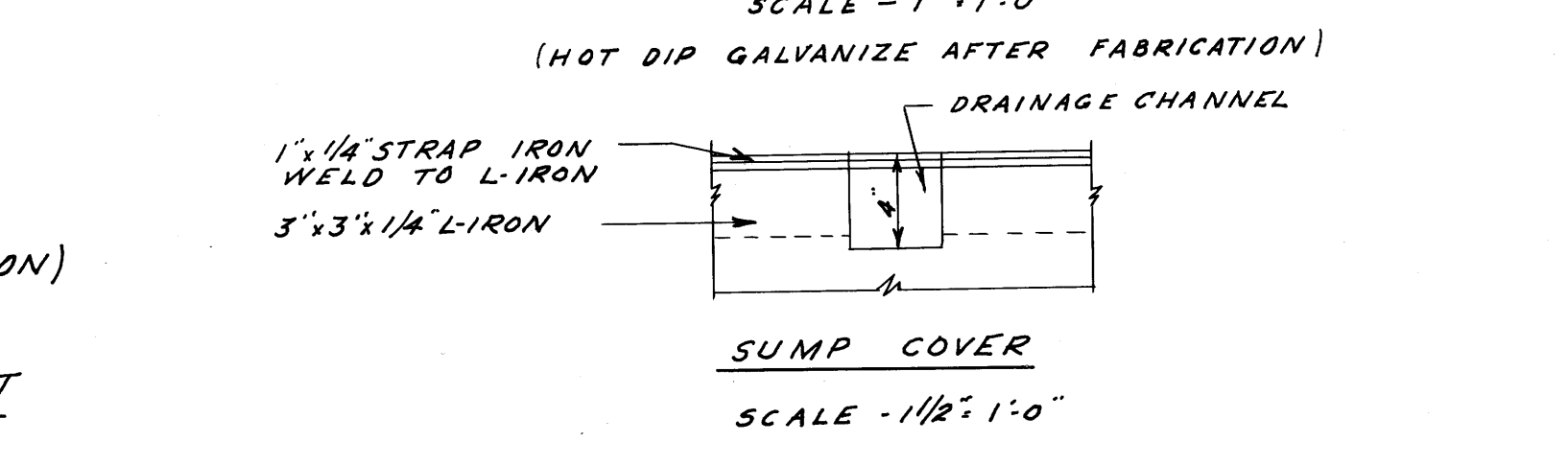
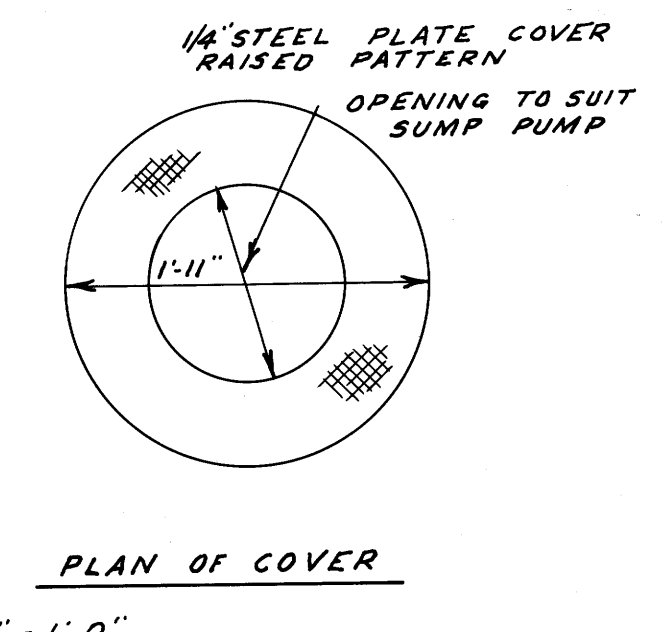
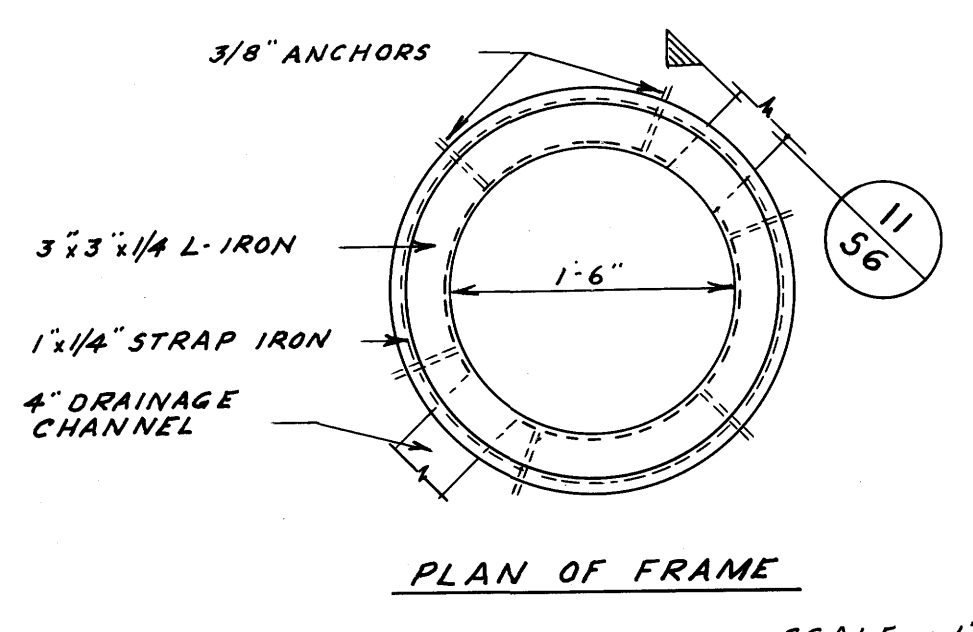
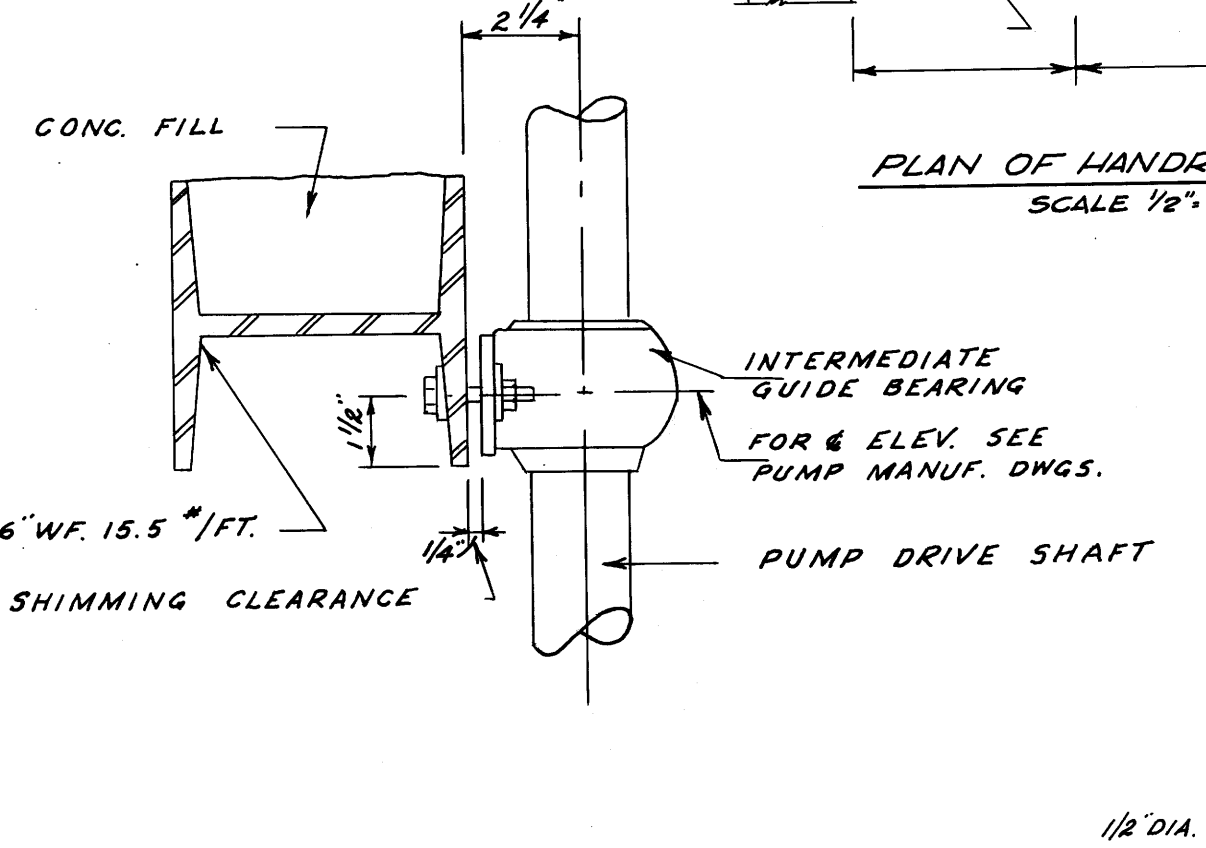
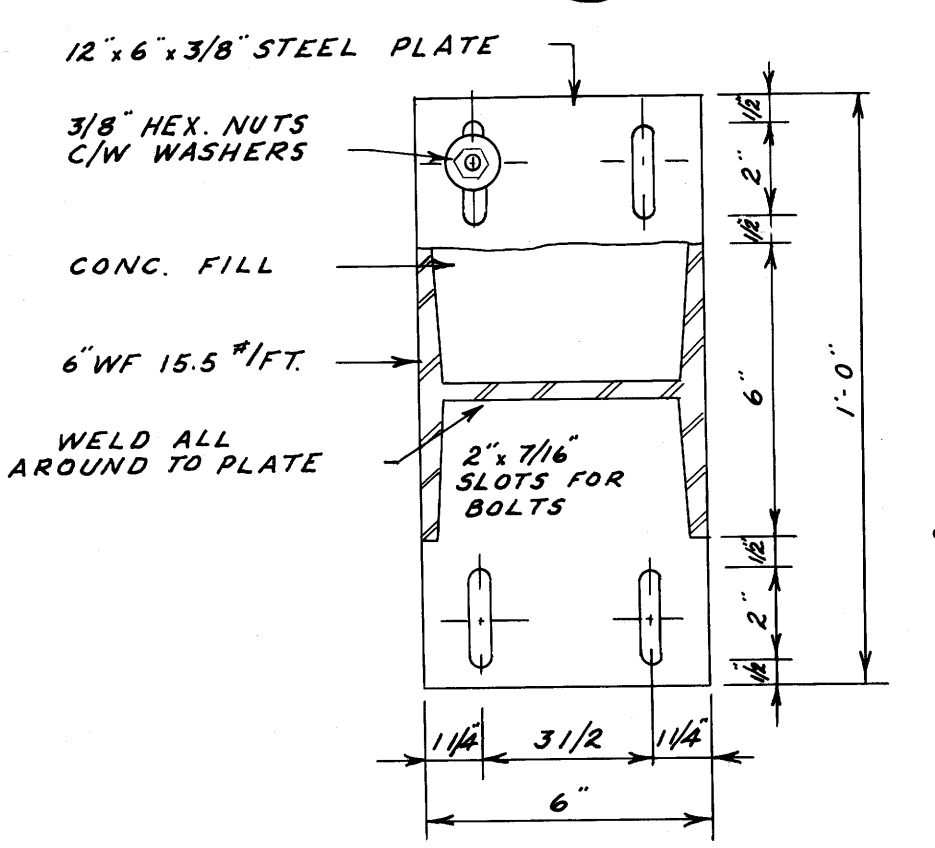
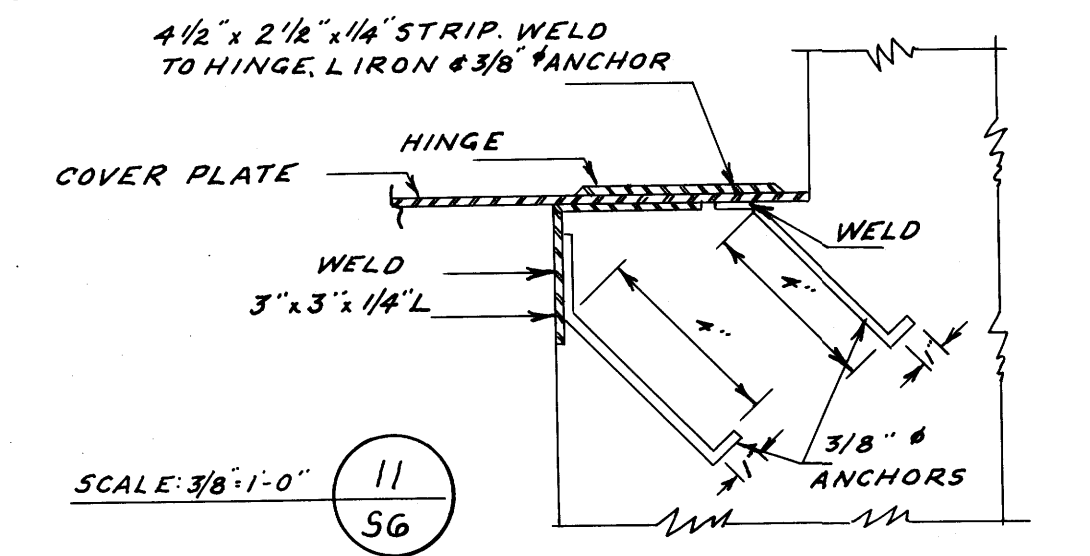
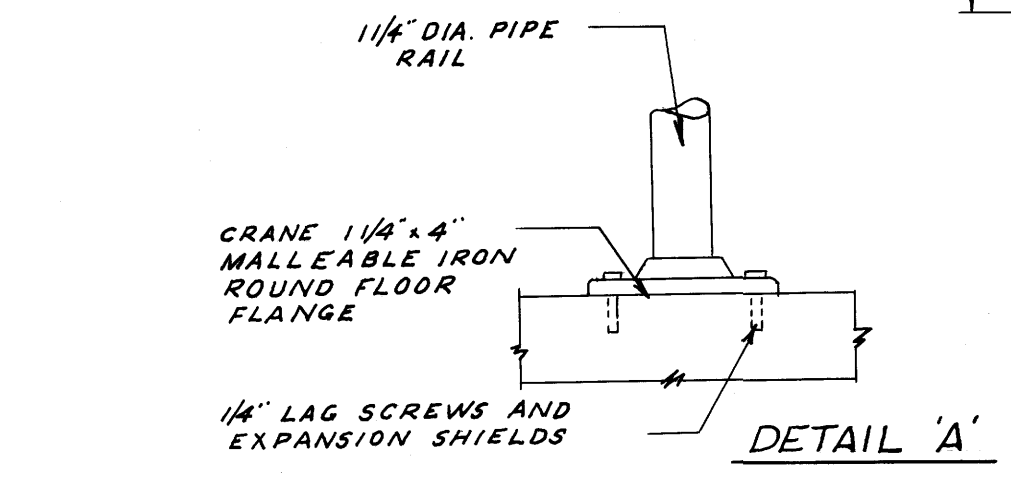
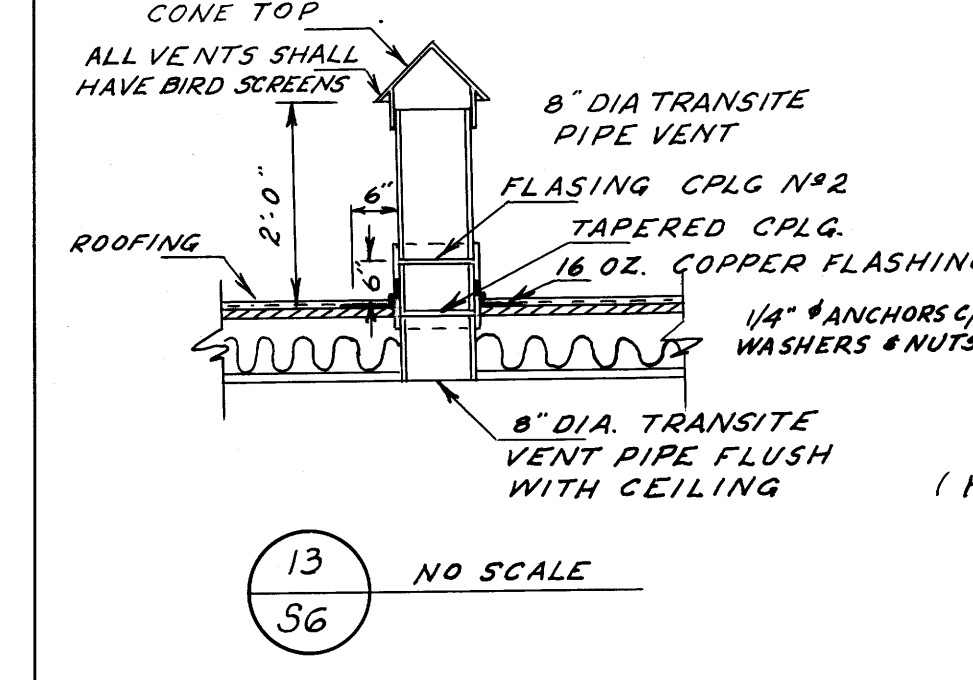
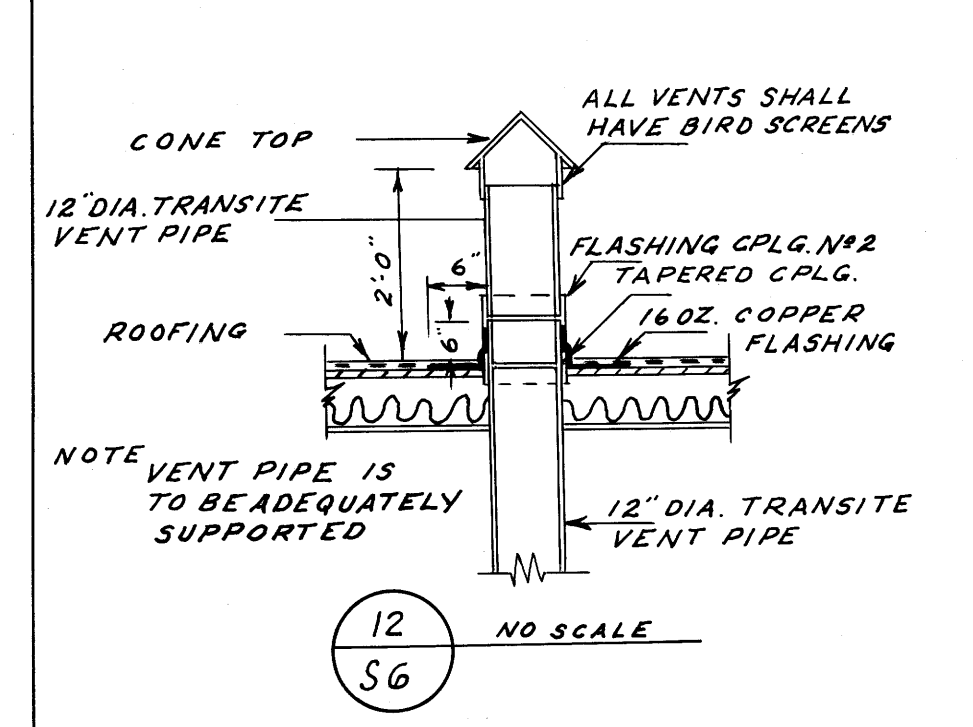
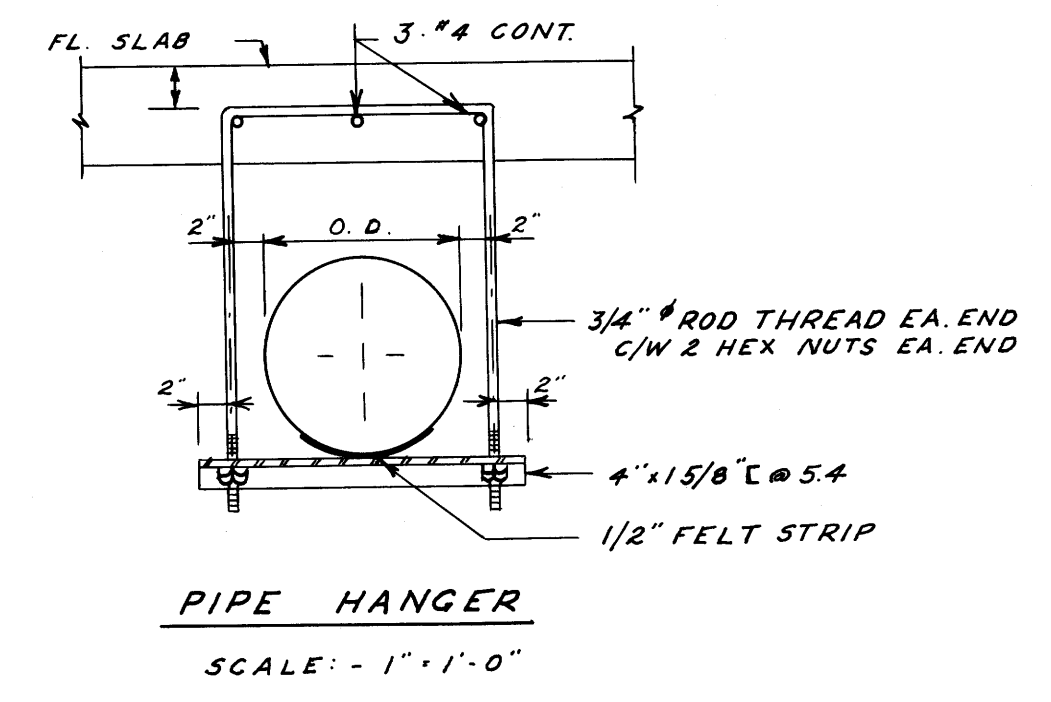
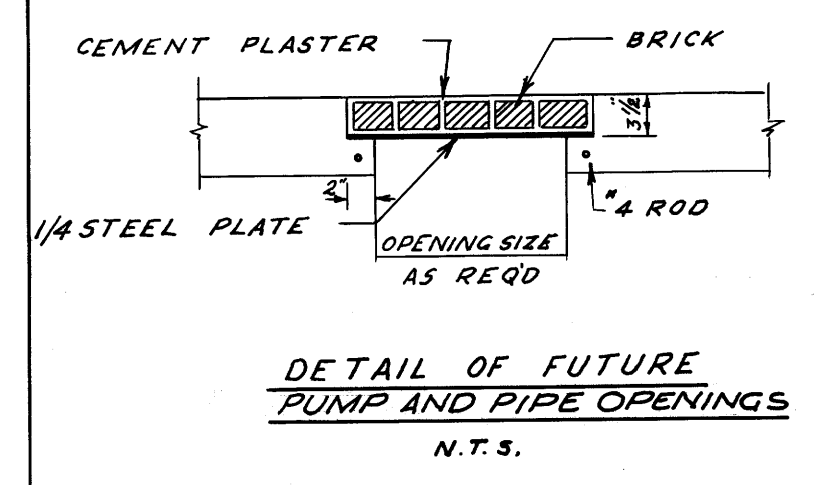
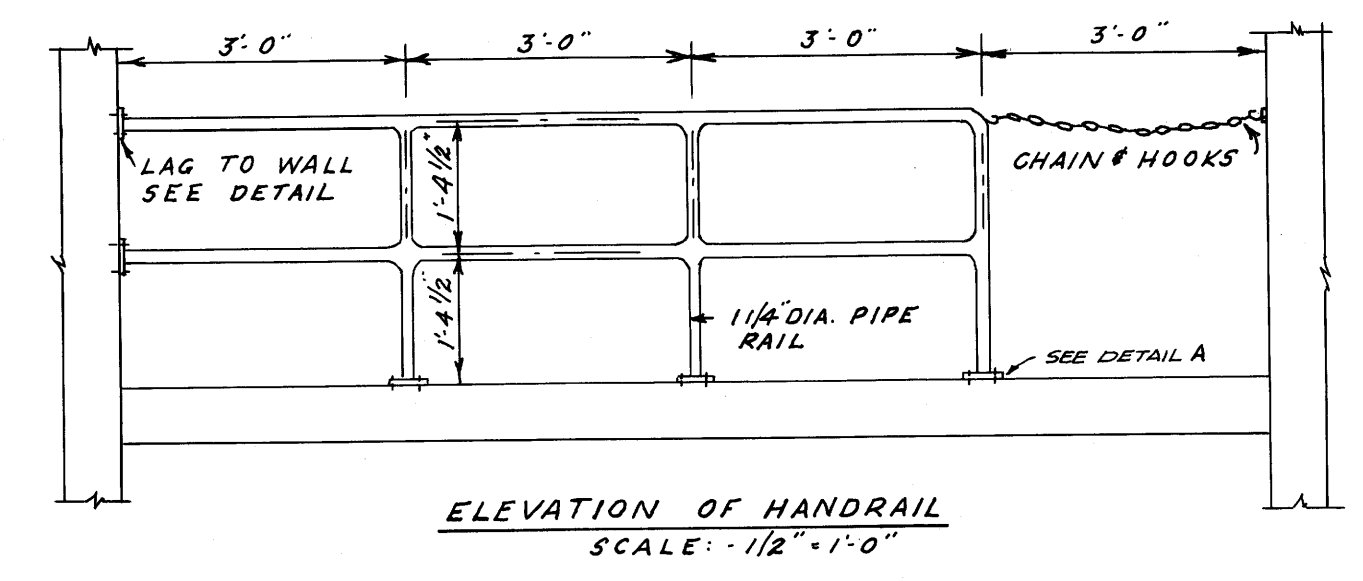


1465
 FILE #SP10712

REF. or DRAWING NO. ...
 DETAILS



WESTWOOD LIFT STATION	
MUNICIPALITY OF ASSINIBOIA	
SEWAGE PUMPHOUSE	
METAL WORK DETAILS	
DRAWN BY	UNDERWOOD McLELLAN
CHECKED BY	AND ASSOCIATES LIMITED
SHEET OF	CONSULTING PROFESSIONAL ENGINEERS
DATE	WINNIPEG SASKATOON CALGARY
SCALE: AS NOTED	DWG. NO. AB 22 063 01 S6

1465
 FILE #SP10712