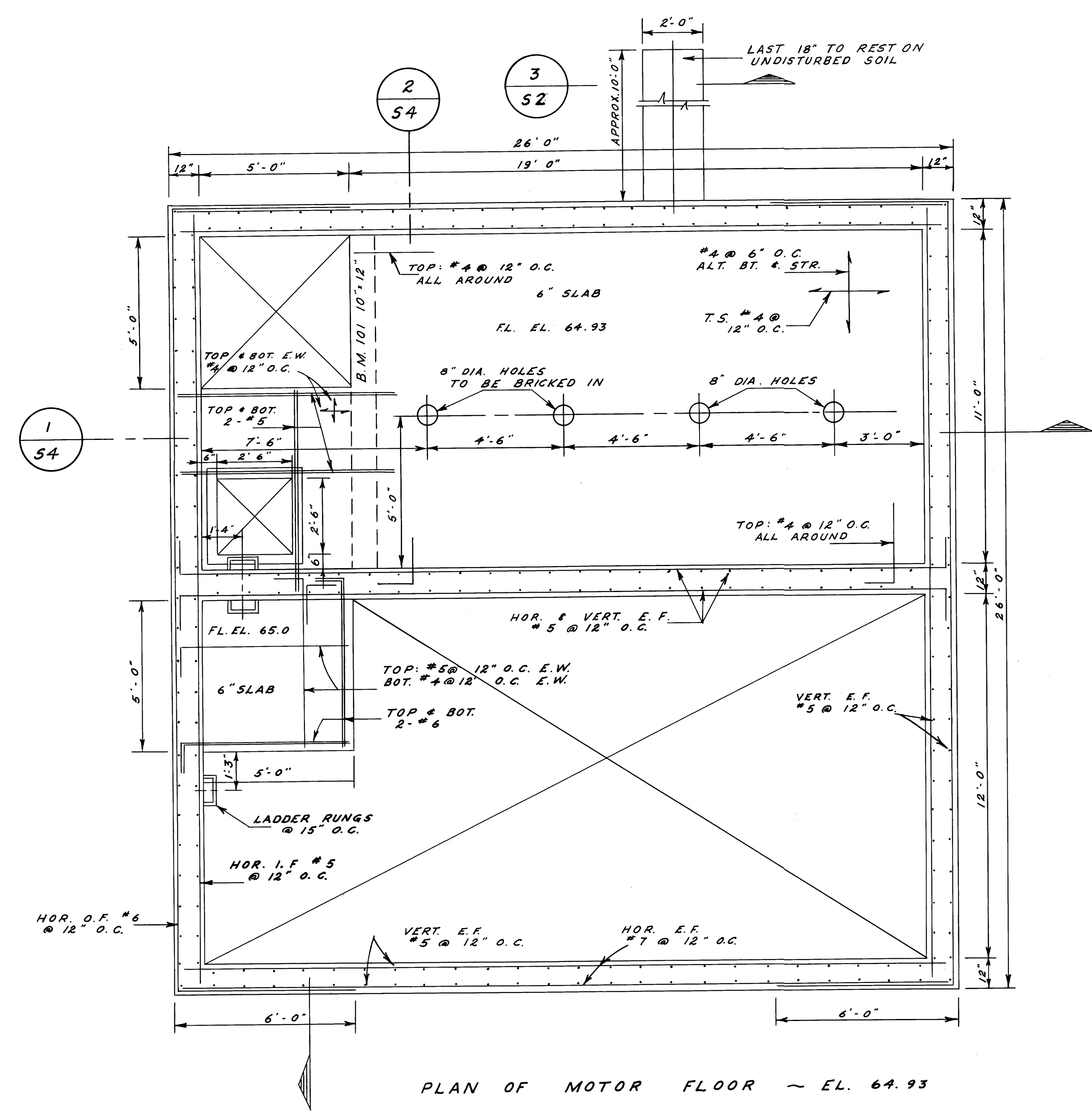


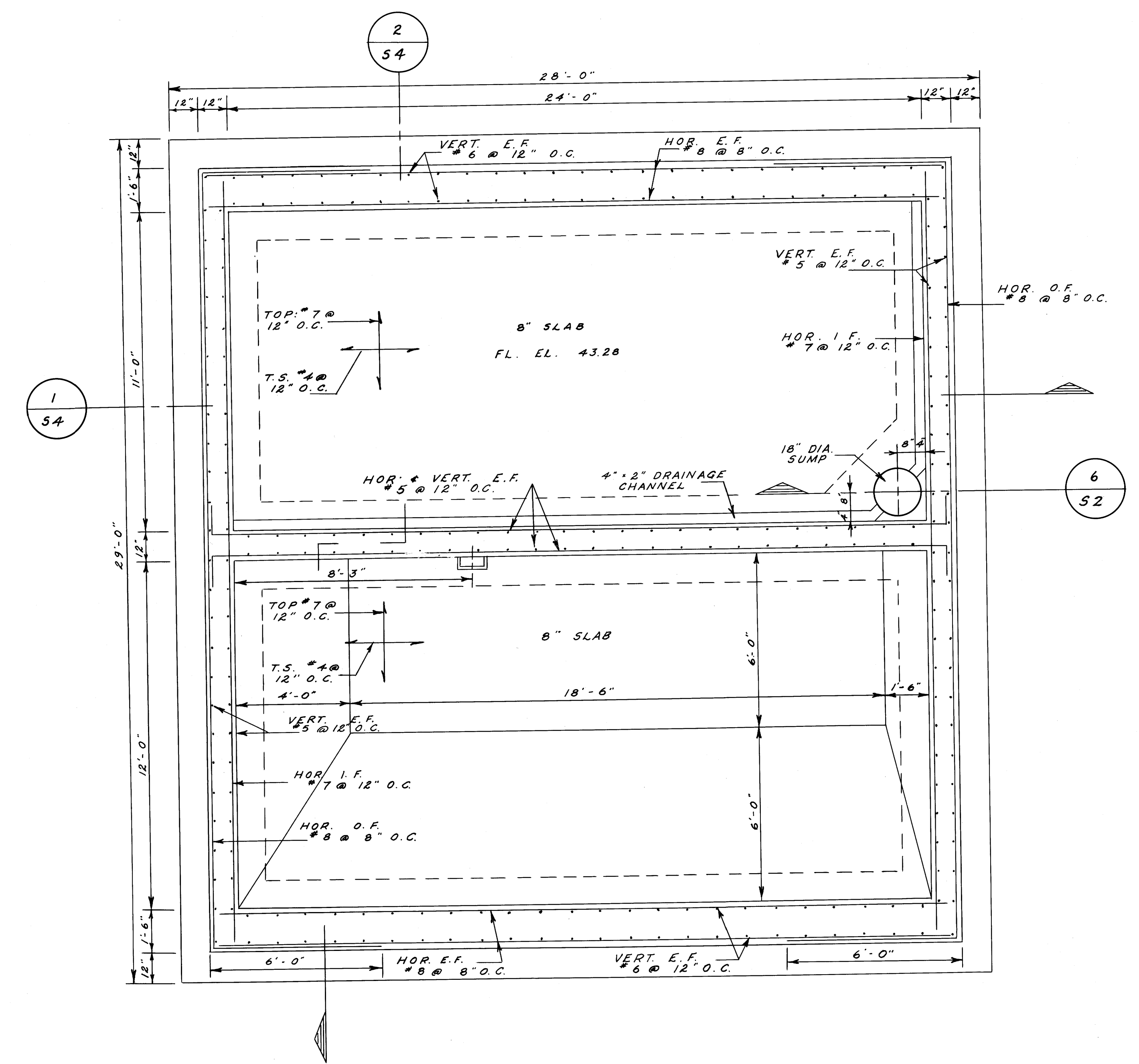
1462
 FILE # SP10709

REF. or DRAWING NO. ...
 DETAILS



PLAN OF MOTOR FLOOR ~ EL. 64.93

BEAM REINF.
 BM. 101 10" x 12" (1 REQ'D)
 TOP: 2-#5
 BOT: 3-#6
 STIR: #3 @ 12" O.C.



PLAN OF PUMP FLOOR ~ EL. 43.28

WESTWOOD LIFT STATION	
MUNICIPALITY OF ASSINIBOIA	
SEWAGE PUMPHOUSE	
STRUCTURAL	
DRAWN BY W.P. CHECKED BY J.M. SHEET 2 OF DATE	UNDERWOOD McLELLAN AND ASSOCIATES LIMITED CONSULTING PROFESSIONAL ENGINEERS WINNIPEG SASKATOON CALGARY
SCALE: 3/8" = 1'-0"	DWG. NO. 22 063 01 S3

1462
 FILE # SP10709