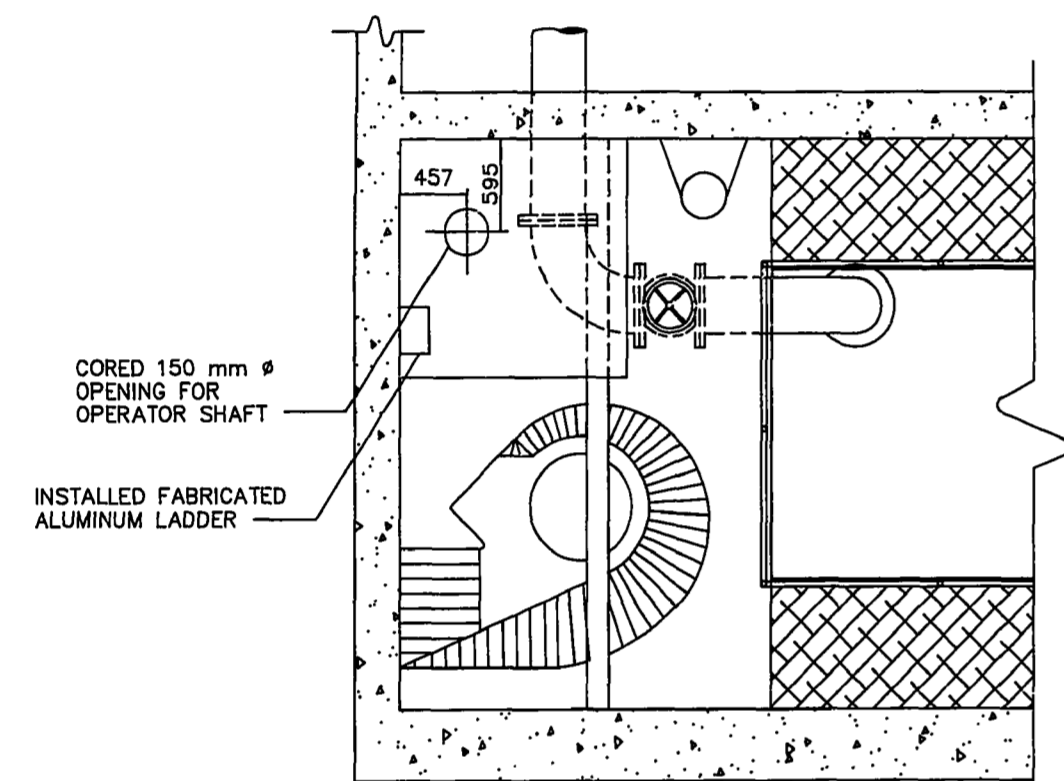
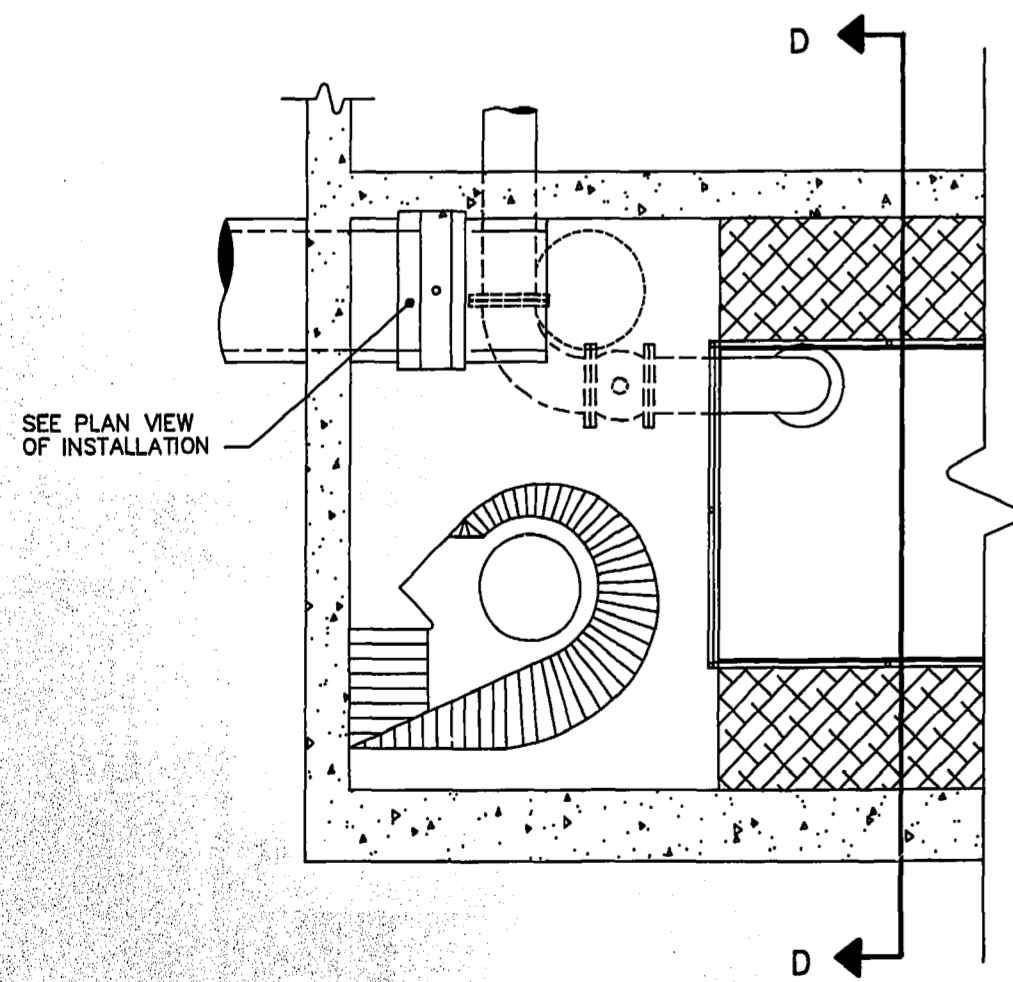


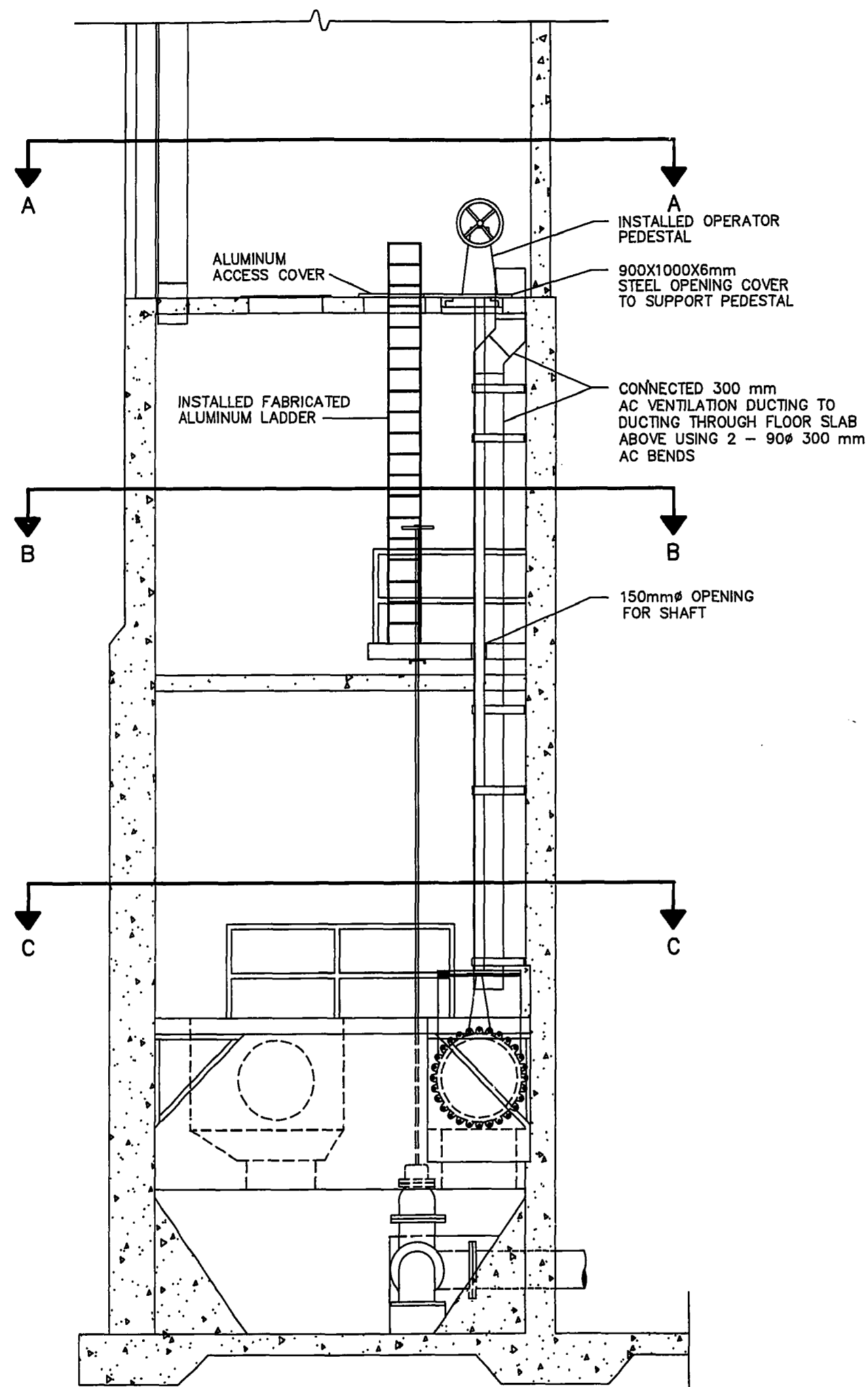
SECTION A - A
SCALE: 1 : 40



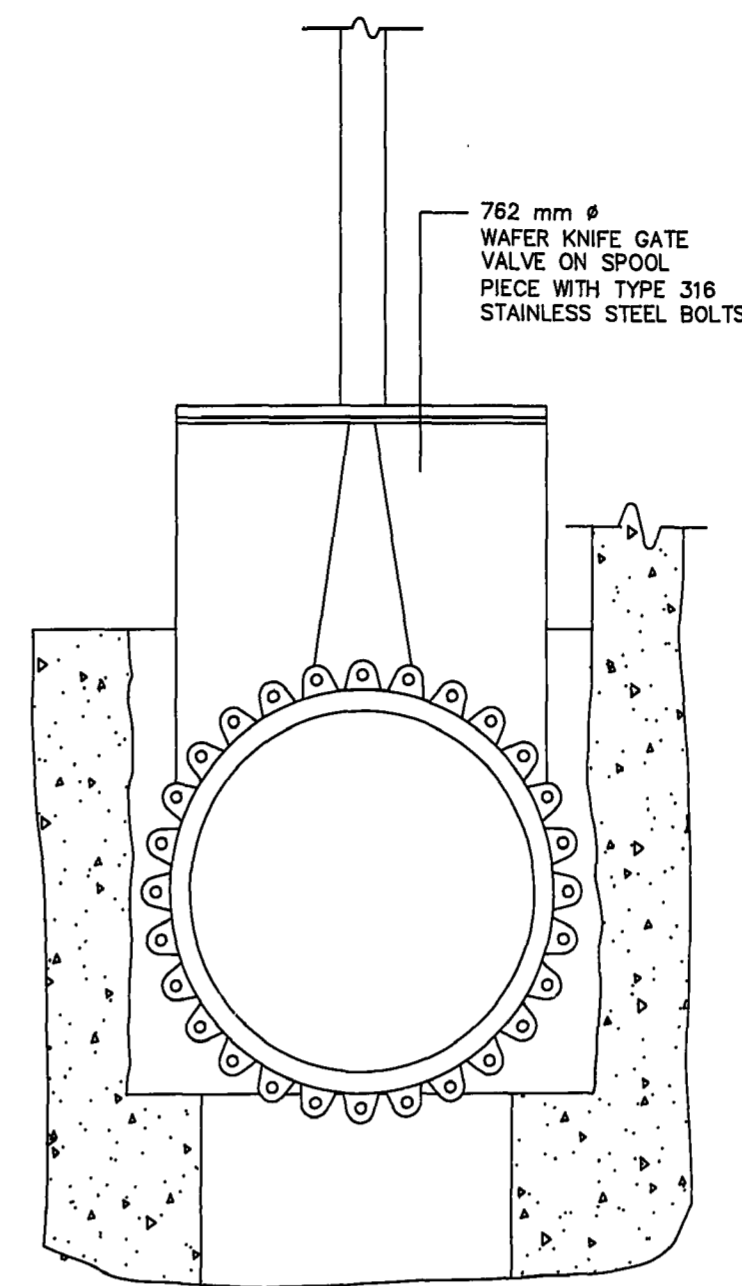
SECTION B - B
SCALE: 1 : 40



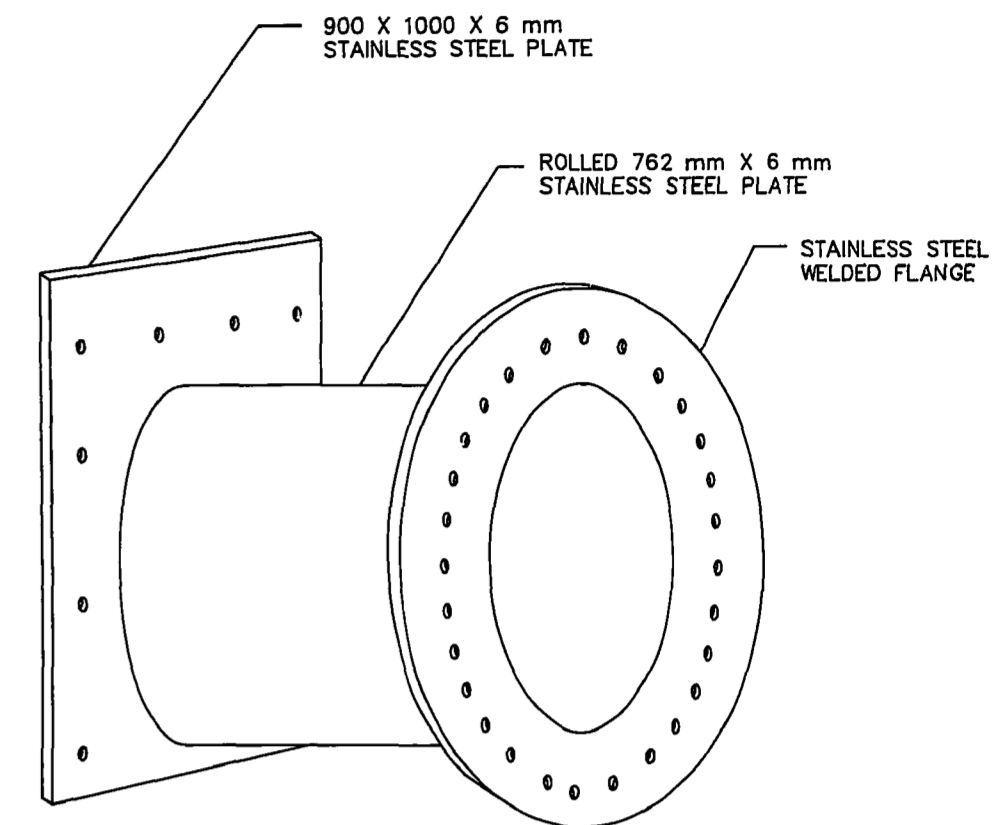
SECTION C - C
SCALE: 1 : 40



SECTION D - D
SCALE: 1 : 40

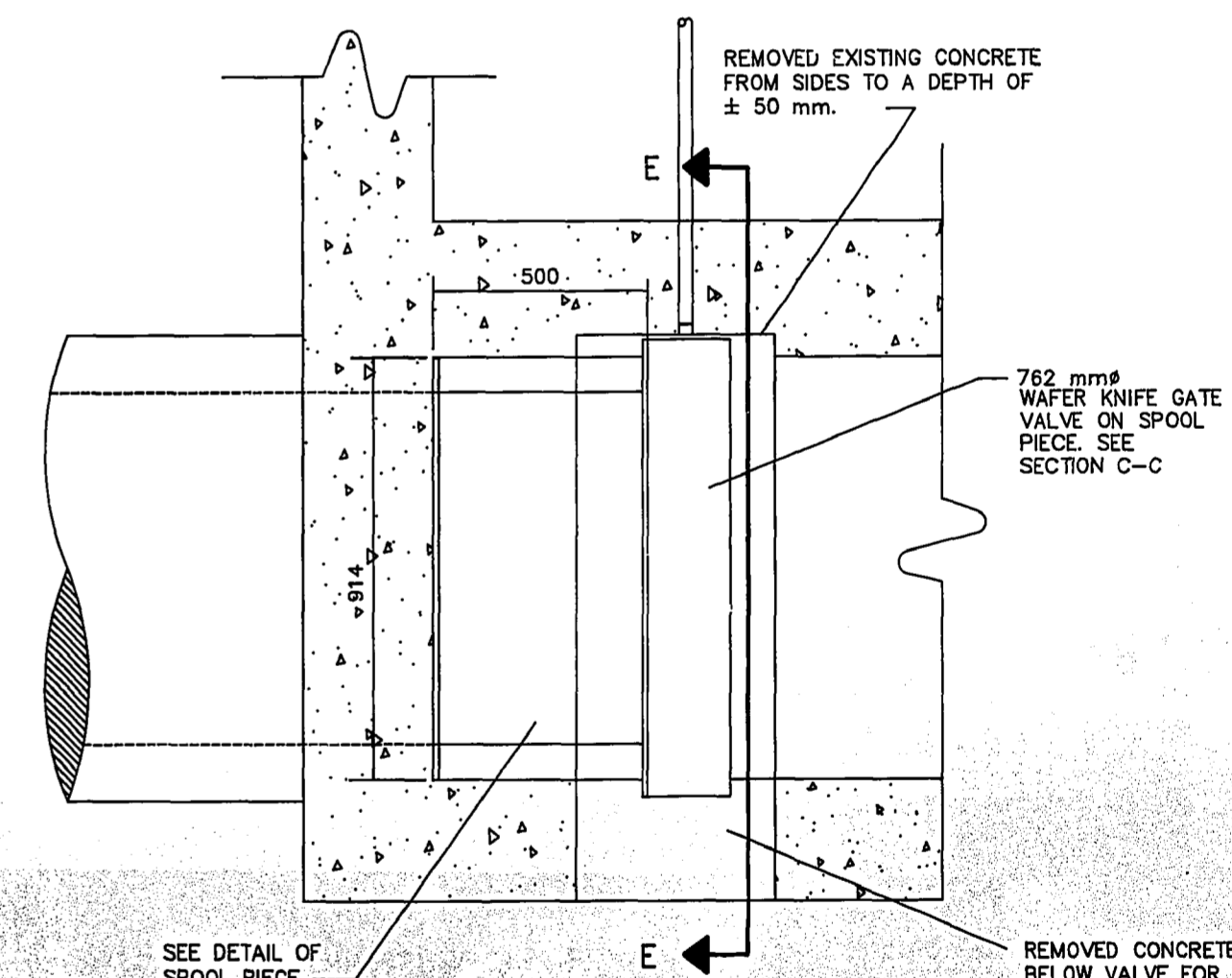


SECTION E - E
N.T.S.



NOTE: FLANGE TO FLANGE
DIMENSION = 500 mm

DETAIL OF SPOOL PIECE
N.T.S.



PLAN VIEW OF INSTALLATION
N.T.S.

AS-CONSTRUCTED
K. Calk 30.09.14
 INSPECTION / TECHNICAL SERVICES DATE
 WATERWORKS, WASTE & DISPOSAL DEPARTMENT

B.M. ELEV.			
1). AS CONSTRUCTED	05-93	MBD	
NO. REVISIONS	DATE	BY	DATE

		WORKS & OPERATIONS DIVISION	
		WATERWORKS, WASTE & DISPOSAL DEPARTMENT	
DESIGNED BY	CT	CHECKED BY	JE
DRAWN BY	TM/MBD	APPROVED BY	
HOR. SCALE	AS SHOWN	RELEASED FOR CONSTRUCTION	
VERTICAL SCALE	AS SHOWN	DATE	SEPTEMBER 1992

ENGINEER'S SEAL	
PLOT DATE	AUGUST 16, 1993

THE CITY OF WINNIPEG
 WORKS AND OPERATIONS DIVISION
 WATERWORKS WASTE AND DISPOSAL DEPARTMENT
 WESTWOOD WASTEWATER PUMPING STATION
 WAFFER KNIFE GATE VALVE
 INSTALLATION AND ASSOCIATED WORKS
 SHEET 1 OF 1
 CITY DRAWING NUMBER
1415