

INSTRUMENT LOOP DIAGRAM

LOOP NO.

TE-043-HS-1
TE-043-HS-2
TE-043-HS-3

TE-043-MIL-1
TE-043-MIL-2

MCC

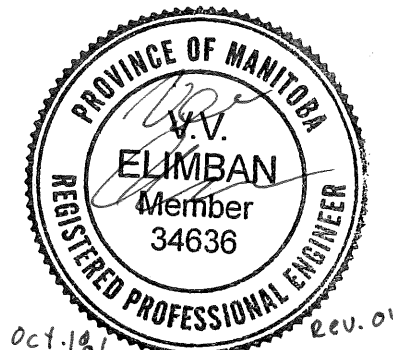
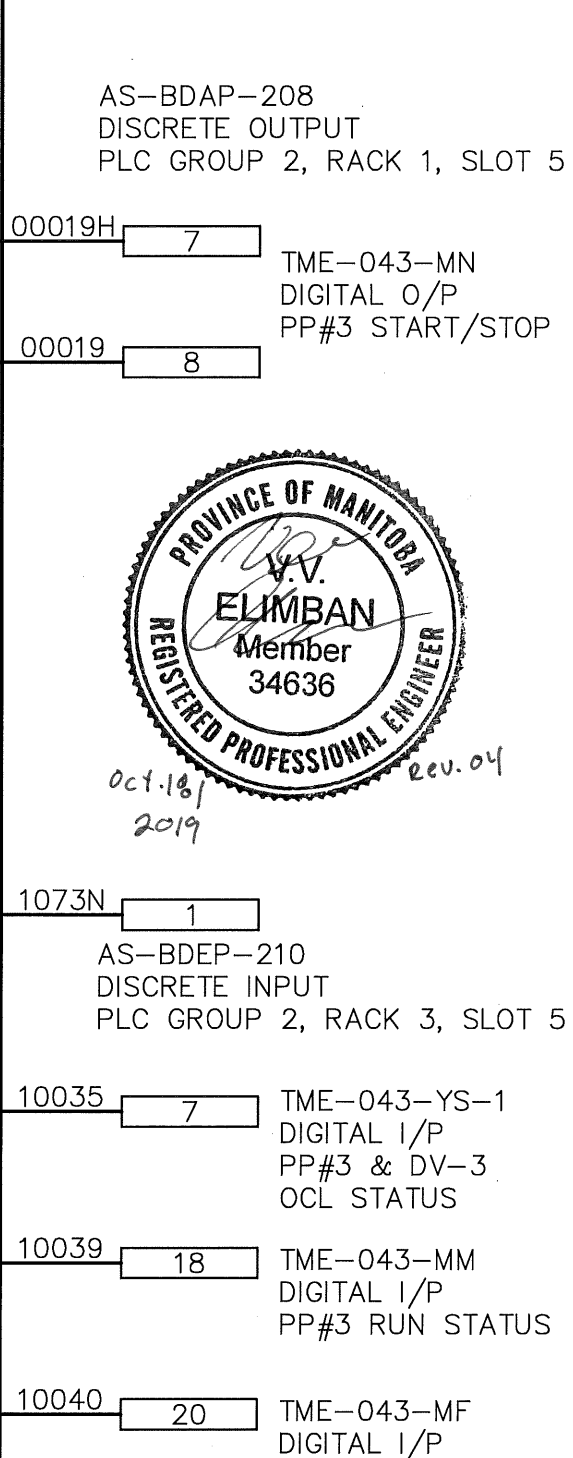
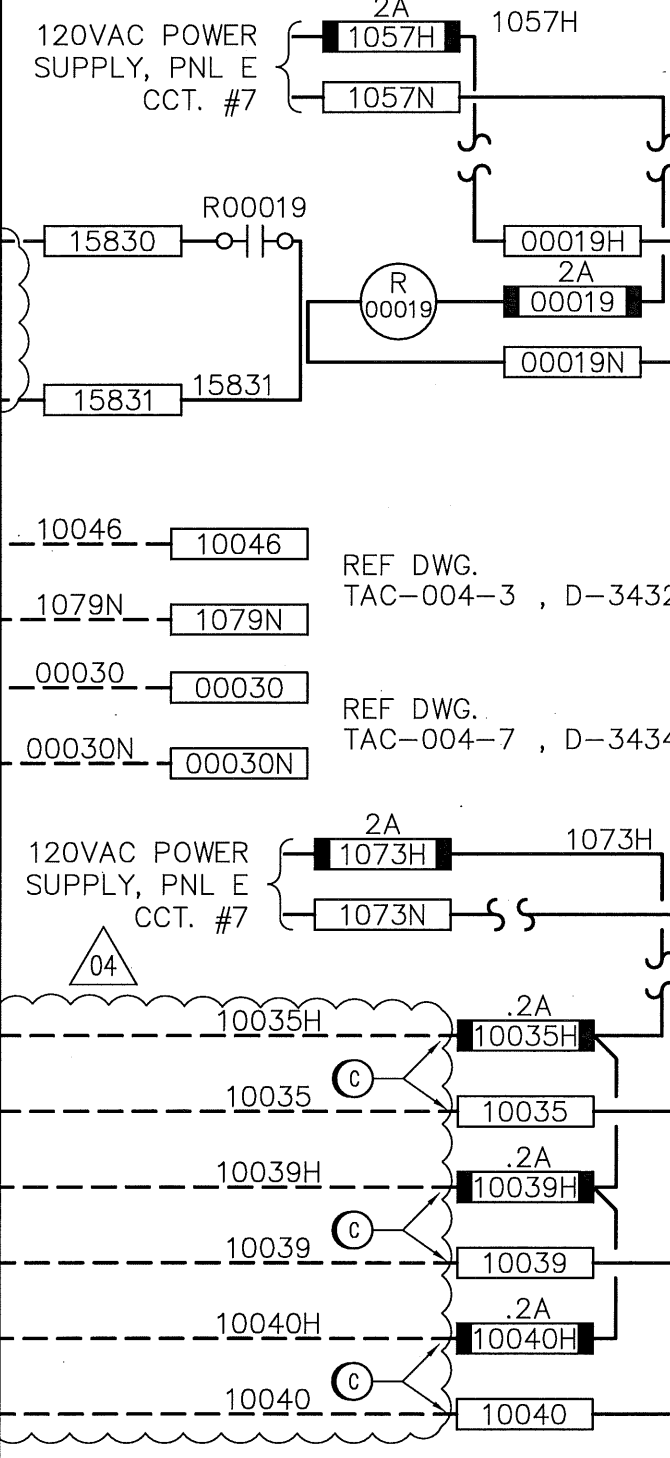
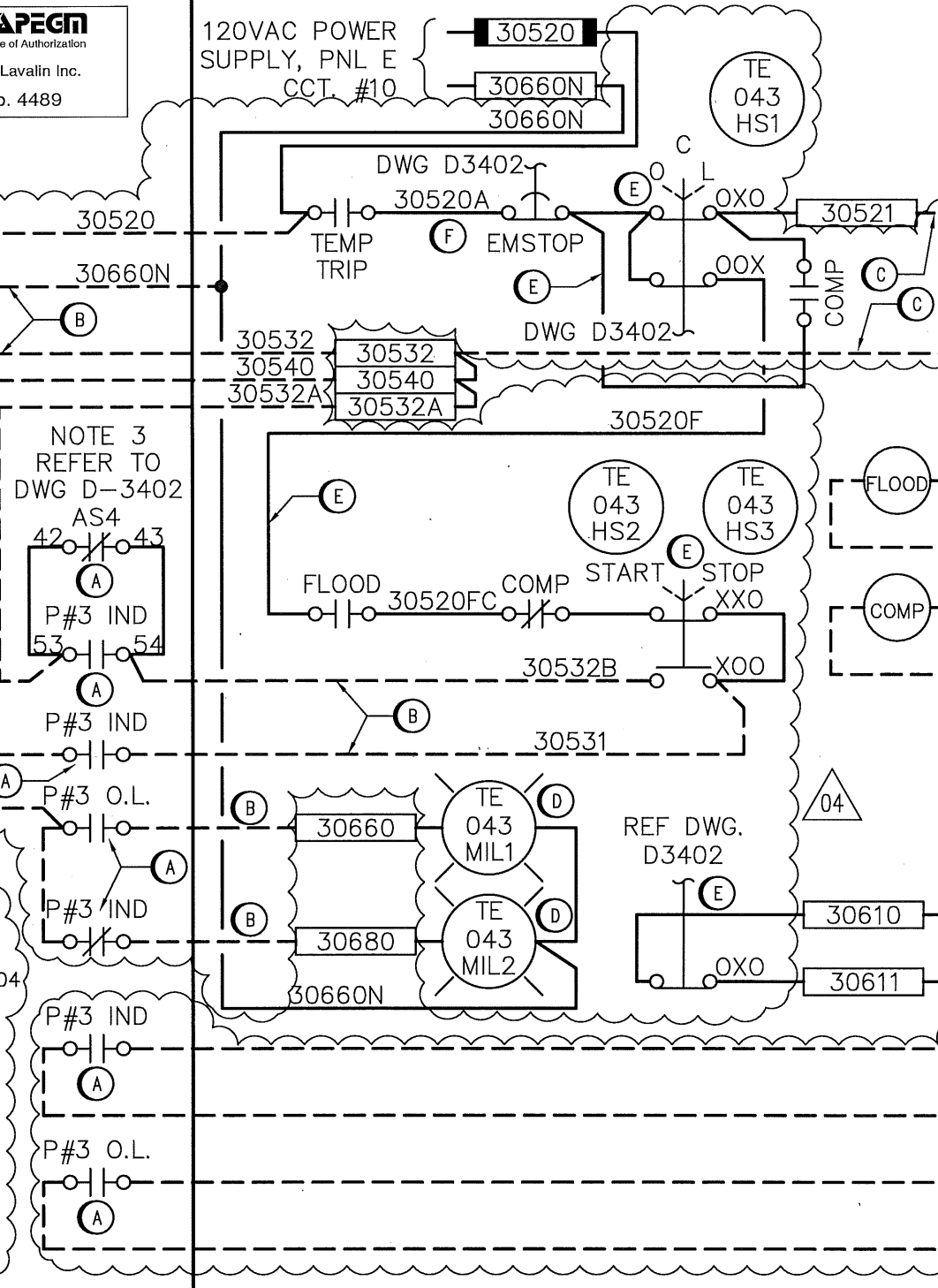
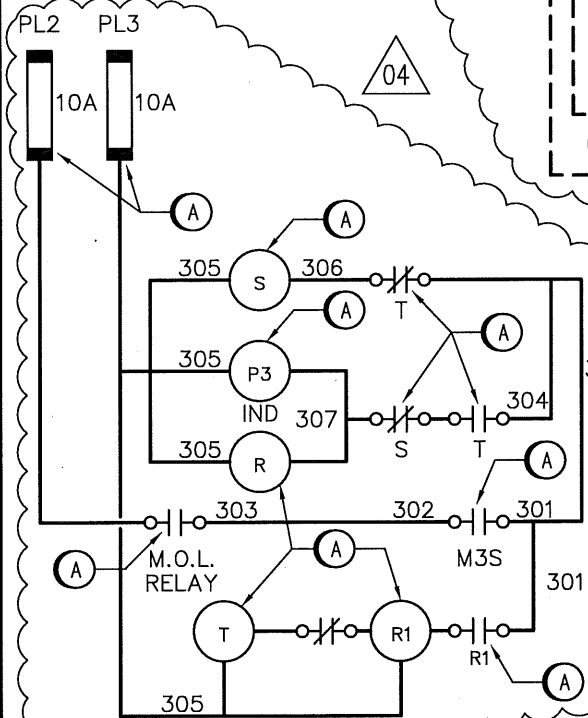
PUMP LOCAL CONTROL PANEL

MAIN CONTROL PANEL

PLC

DEMOLITION NOTES:

- (A) DISCONNECT AND REMOVE RELAY, TIMERS AND TERMINALS IN EXISTING MCC. PART OF MCC DEMOLITION PLAN.
- (B) DISCONNECT AND REMOVE ALL CABLES BETWEEN EXISTING MCC TO LCP-3 PANEL.
- (C) DISCONNECT AND REMOVE RUN, FAIL AND COMP STATUS SIGNAL WIRES IN MAIN CONTROL PANEL. DISCONNECT AND REMOVE CABLE BETWEEN EXISTING LCP TO MCP AND MCC.
- (D) DISCONNECT PILOT LIGHTS TE-043-MIL1 AND TE-043-MIL2. REMOVE INTERNAL WIRING TO TERMINAL. REPLACE EXISTING LAMACOID WITH BLANK LAMACOID. LIGHTS TO REMAIN AS SPARE.
- (E) DISCONNECT START/STOP AND OCL SELECTOR SWITCH AND REMOVE INTERNAL WIRING. REPLACE EXISTING START/STOP LAMACOID WITH BLANK LAMACOID. SWITCH TO REMAIN AS SPARE.
- (F) ONLY DISCONNECT EMSTOP WIRES SHOWN ON THIS DWG. REWIRE EMSTOP AS PER DWG. 1-0660M-E0022 001.



Oct-16/2019 Rev. 04

- NOTE:**
- INSTALL TERMINAL BLOCKS AS REQ'D FOR NEW WIRING IF SPARES ARE NOT AVAILABLE.
 - OCL SELECTOR SHALL HAVE MAKE-BEFORE-BREAK OPERATION WHEN SWITCHING FROM C TO L AND FROM L TO C.
 - WIRING FROM DV VIA MCP TO LCP CONTACT CLOSED WHEN DV CLOSED

Reid Crowther Consulting Engineers		dp Calgary, Alberta		JOB NO. 3153	FILENAME D3412
19.10.18	4	ISSUED FOR CONSTRUCTION	SB	95.08.03	1 AS-BUILT
02.06.03	3	GENERAL REVISIONS	RWK	94.09.14	0 ISSUED FOR CONST.
97.02.03	2	RCPL RECORD DRAWING	PS	94.08.26	A ISSUED FOR APPROVAL
DATE		REVISION	APP.	DATE	REVISION

THE CITY OF WINNIPEG
REGIONAL WATER SUPPLY SYSTEM
SUPERVISORY CONTROL AND DATA ACQUISITION

TACHE PUMPING STATION - MCP
PP#3 ELECTRIC PUMP DRIVE

SCALE _____
DATE 94.08.26
DES PL DWN LFB
CKD DN APP LK

DRAWING NO.
D-3412