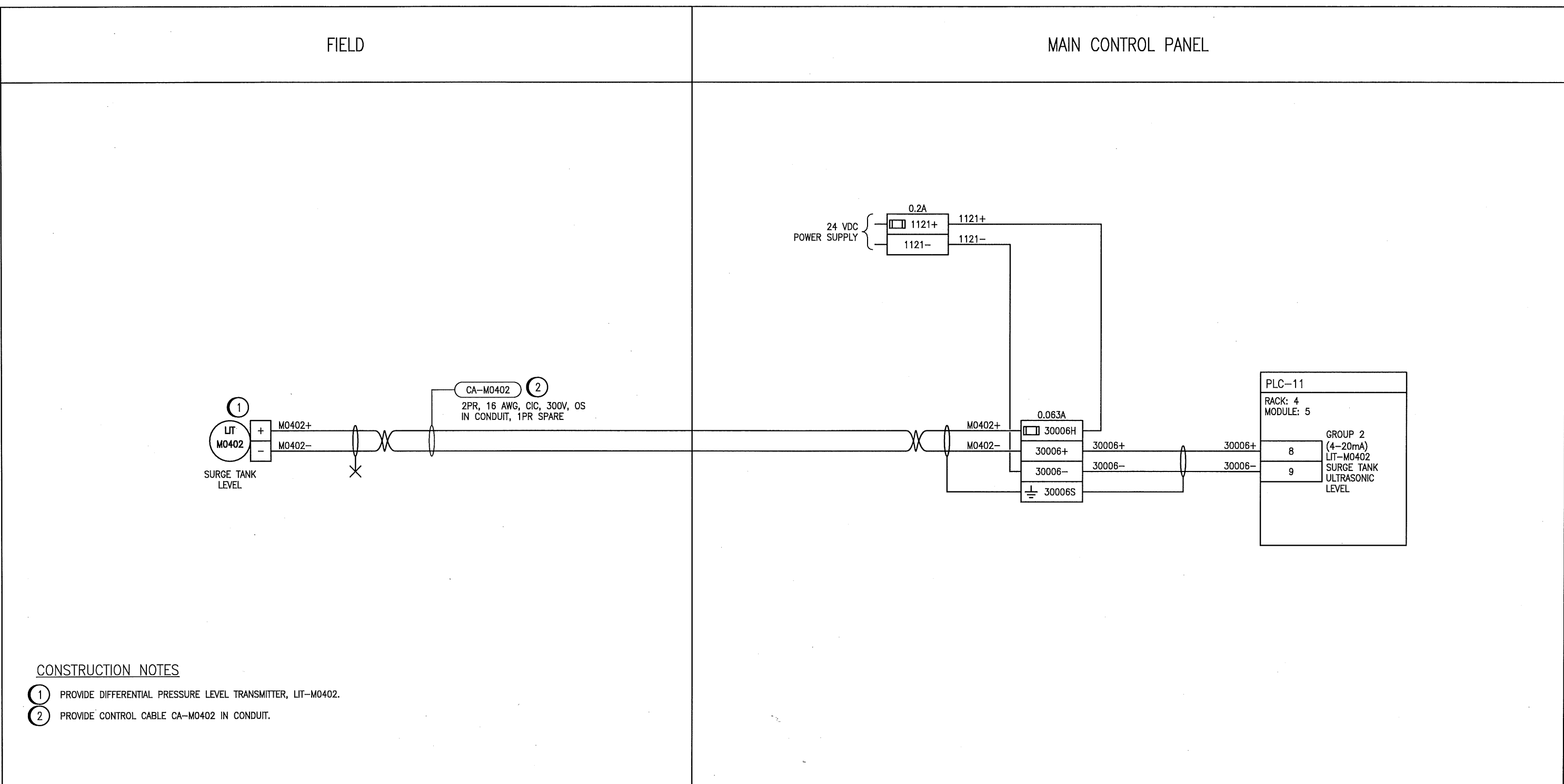
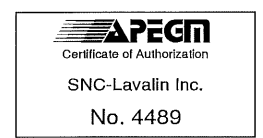


LAST SAVE: 2019/10/29 - 7:22am
 PATH: M:\661472\4ENG\48IC\DD - General DWG\02 Tache\1-0660M-A0003-001-00.dwg
 B SIZE - 279mm x 432mm



CONSTRUCTION NOTES

- ① PROVIDE DIFFERENTIAL PRESSURE LEVEL TRANSMITTER, LIT-M0402.
- ② PROVIDE CONTROL CABLE CA-M0402 IN CONDUIT.



SNC-LAVALIN INC.
 148 Nature Park Way
 Winnipeg, MB, Canada R3P 0X7
 204-786-8080

NO.	REVISIONS	DATE	DESIGN	CHECK
00	ISSUED FOR TENDER AND CONSTRUCTION	2019/10/18	SB	BC

DESIGNED BY: S. BOGHOSIAN	CHECKED BY: B. CLEVEN
DRAWN BY: J. GRAGASIN	APPROVED BY: D. BECKER
SCALE: NTS	DATE: 2019/05/22
ISSUED FOR CONSTRUCTION	
BY: A. WEISS	DATE: 2019/10/18
CONSULTANT NO.:	

ENGINEER'S SEAL

Oct 18 / 2019

THE CITY OF WINNIPEG
 WATER AND WASTE DEPARTMENT

TACHE BOOSTER PUMPING STATION

LOOP DIAGRAM
 SURGE TANK DIFFERENTIAL PRESSURE LEVEL TRANSMITTER
 LIT-M0402

CITY DRAWING NUMBER	SHEET	REV.	SIZE
1-0660M-A0003	001	00	B