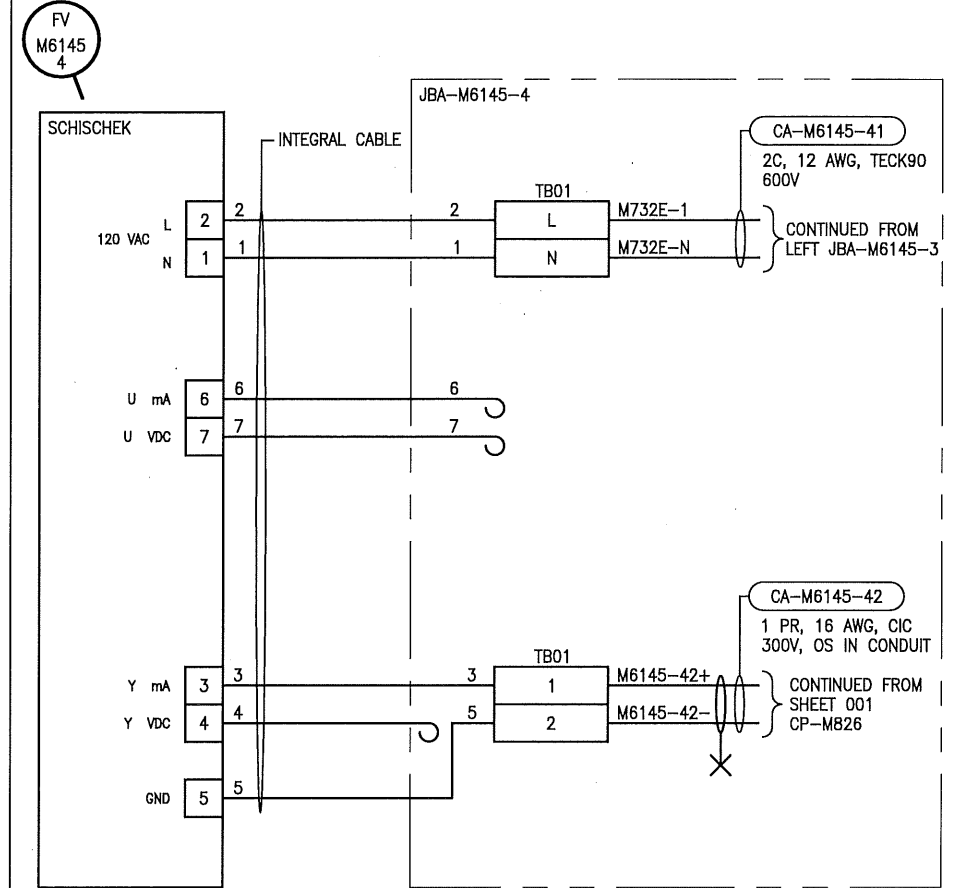
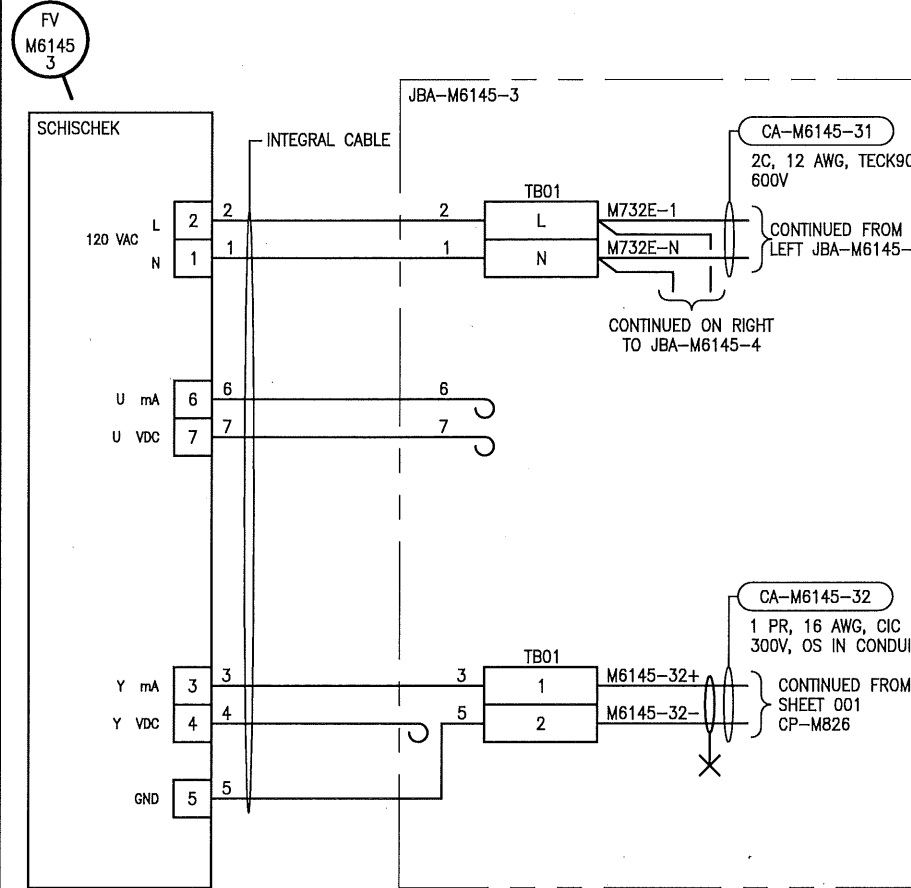
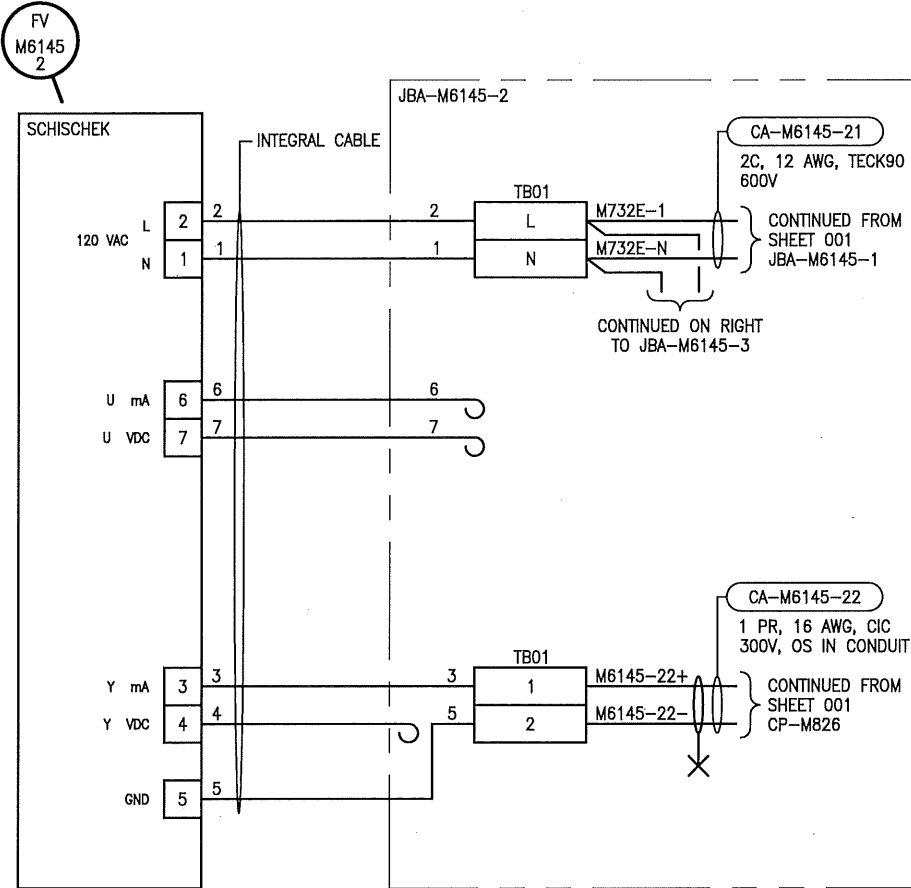


B SIZE - 279mm x 432mm

General DWG\01 McPhillips\1-0640M-A0063-002-00.dwg

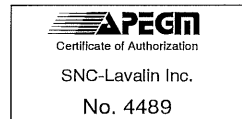
LAST SAVE: 2019/10/30 - 9:46am  
 PATH: M:\661472\4ENG\48IC\DD -

FIELD



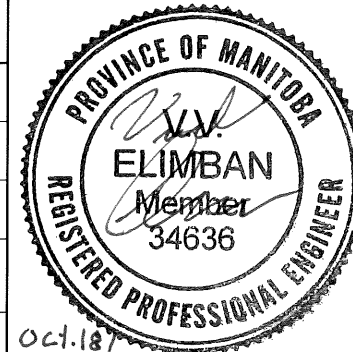
NOTES

ASSOCIATED REFERENCE DRAWINGS:  
 1-0640M-A0048  
 1-0640M-A0051  
 1-0640M-A0056  
 1-0640M-A0057  
 1-0640M-P0013



SNC-LAVALIN INC.  
 148 Nature Park Way  
 Winnipeg, MB, Canada R3P 0X7  
 204-786-8080

ENGINEER'S SEAL



DESIGNED BY: S. BOGHOSIAN	CHECKED BY: B. CLEVEN
DRAWN BY: C. DUBON	APPROVED BY: D. BECKER
SCALE: NTS	DATE: 2019/05/29
ISSUED FOR CONSTRUCTION	
BY: A. WEISS	DATE: 2019/10/18
CONSULTANT NO.:	

Oct 18 / 2019



THE CITY OF WINNIPEG  
 WATER AND WASTE DEPARTMENT

MCPHILLIPS PUMPING STATION

LOOP DIAGRAM  
 FV-M6145  
 OUTDOOR AIR FLOW DAMPER

NO.	REVISIONS	DATE	DESIGN	CHECK
00	ISSUED FOR TENDER AND CONSTRUCTION	2019/10/18	SB	BC

CITY DRAWING NUMBER	SHEET	REV.	SIZE
1-0640M-A0063	002	00	B