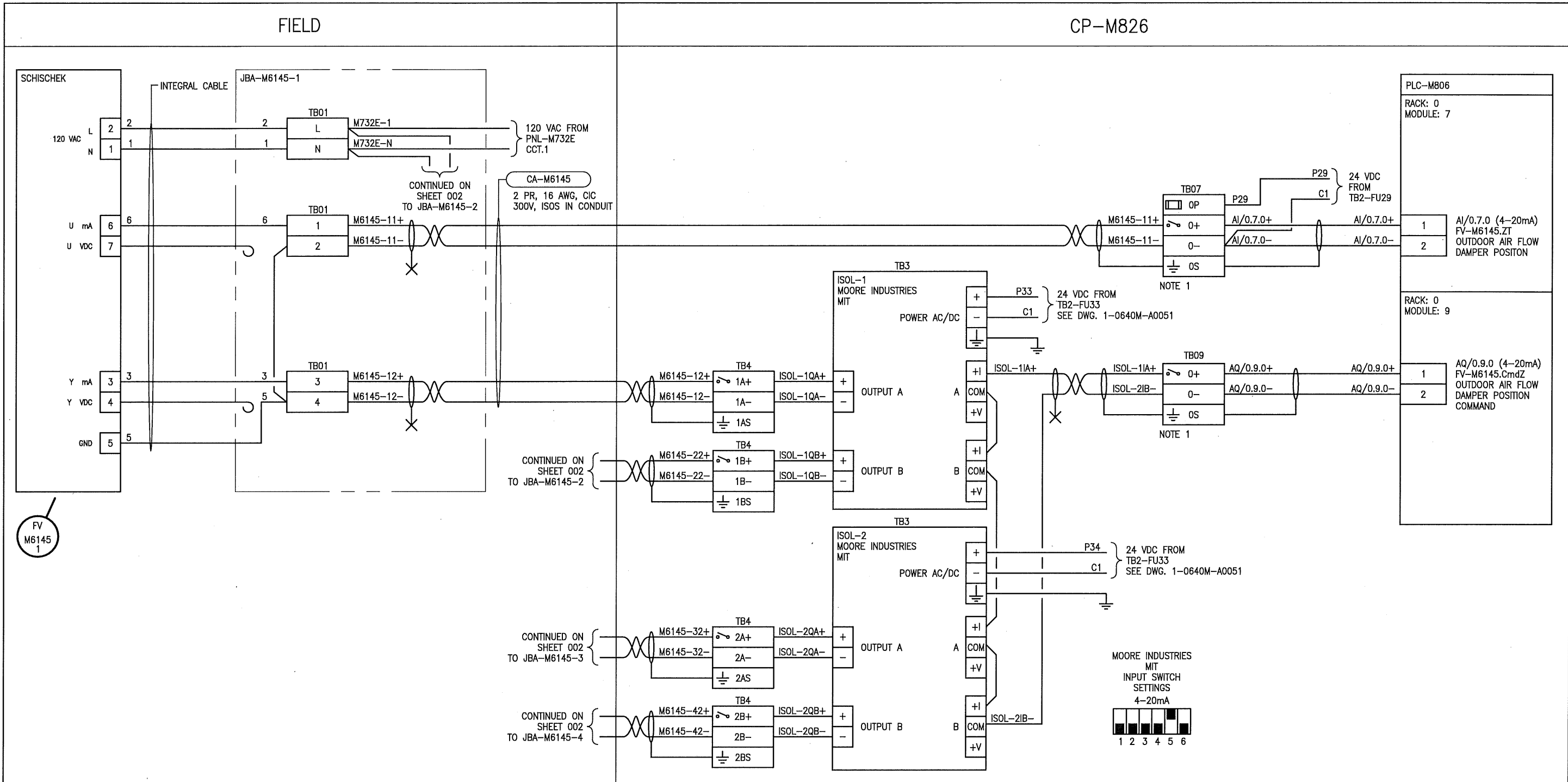


B SIZE - 279mm x 432mm

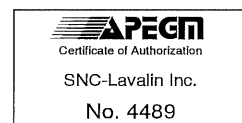
LAST SAVE: 2019/10/30 - 9:46am
 PATH: M:\661472\4ENG\48IC\DD - General DWG\01 McPhillips\1-0640M-A0063-001-00.dwg



NOTES

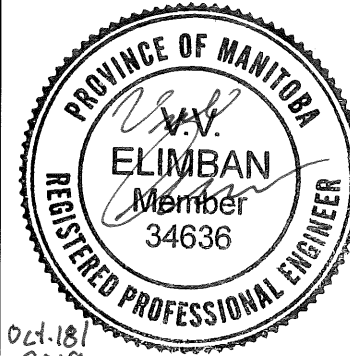
1. GROUNDED TERMINALS CONNECTED TO ISOLATED GROUND THROUGH DIN RAIL.
2. EXPOSED PARTS OF THE DRAIN WIRES SHOULD BE INSIDE INSERTION JACKETS. DRAIN WIRES FOR DIFFERENT LOOPS SHOULD NOT TOUCH EACH OTHER WITHIN THE JUNCTION BOXES, I/O OR MARSHALLING CABINETS. ALL OF THE SHIELD DRAIN WIRES SHALL BE CUT AND TAPED IN THE FIELD NEAR THE INSTRUMENT.

ASSOCIATED REFERENCE DRAWINGS:
 1-0640M-A0048
 1-0640M-A0051
 1-0640M-A0056
 1-0640M-A0057
 1-0640M-P0013



SNC-LAVALIN INC.
 148 Nature Park Way
 Winnipeg, MB, Canada R3P 0X7
 204-786-8080

ENGINEER'S SEAL



THE CITY OF WINNIPEG
 WATER AND WASTE DEPARTMENT

MCPHILLIPS PUMPING STATION

LOOP DIAGRAM
 FV-M6145
 OUTDOOR AIR FLOW DAMPER

NO.	REVISIONS	DATE	DESIGN	CHECK
00	ISSUED FOR TENDER AND CONSTRUCTION	2019/10/18	SB	BC

DESIGNED BY: S. BOGHOSIAN	CHECKED BY: B. CLEVEN
DRAWN BY: C. DUBON	APPROVED BY: D. BECKER
SCALE: NTS	DATE: 2019/05/29
ISSUED FOR CONSTRUCTION	DATE: 2019/10/18
BY: A. WEISS	DATE: 2019/10/18
CONSULTANT NO.:	

Oct. 18/2019

CITY DRAWING NUMBER 1-0640M-A0063	SHEET 001	REV. 00	SIZE B
--------------------------------------	--------------	------------	-----------