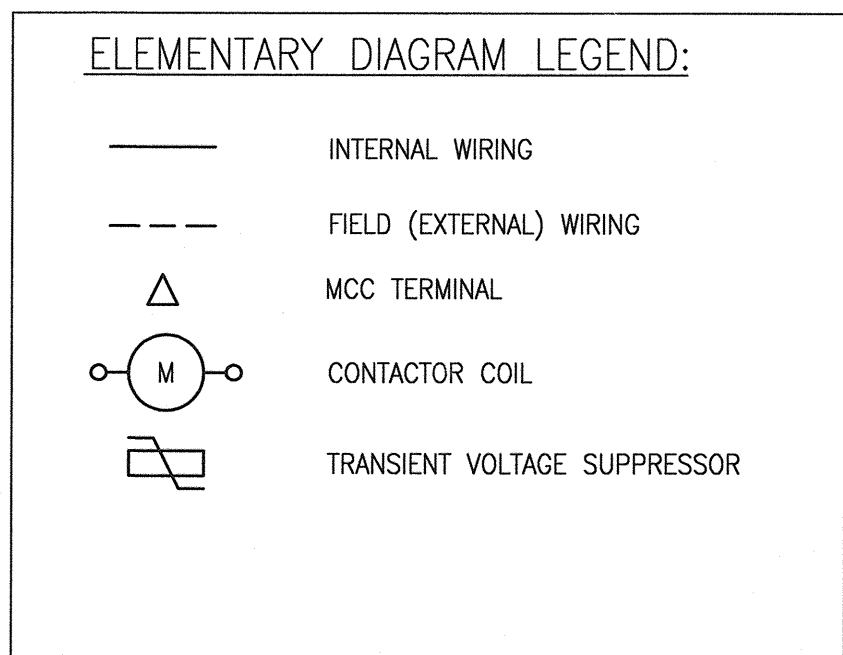
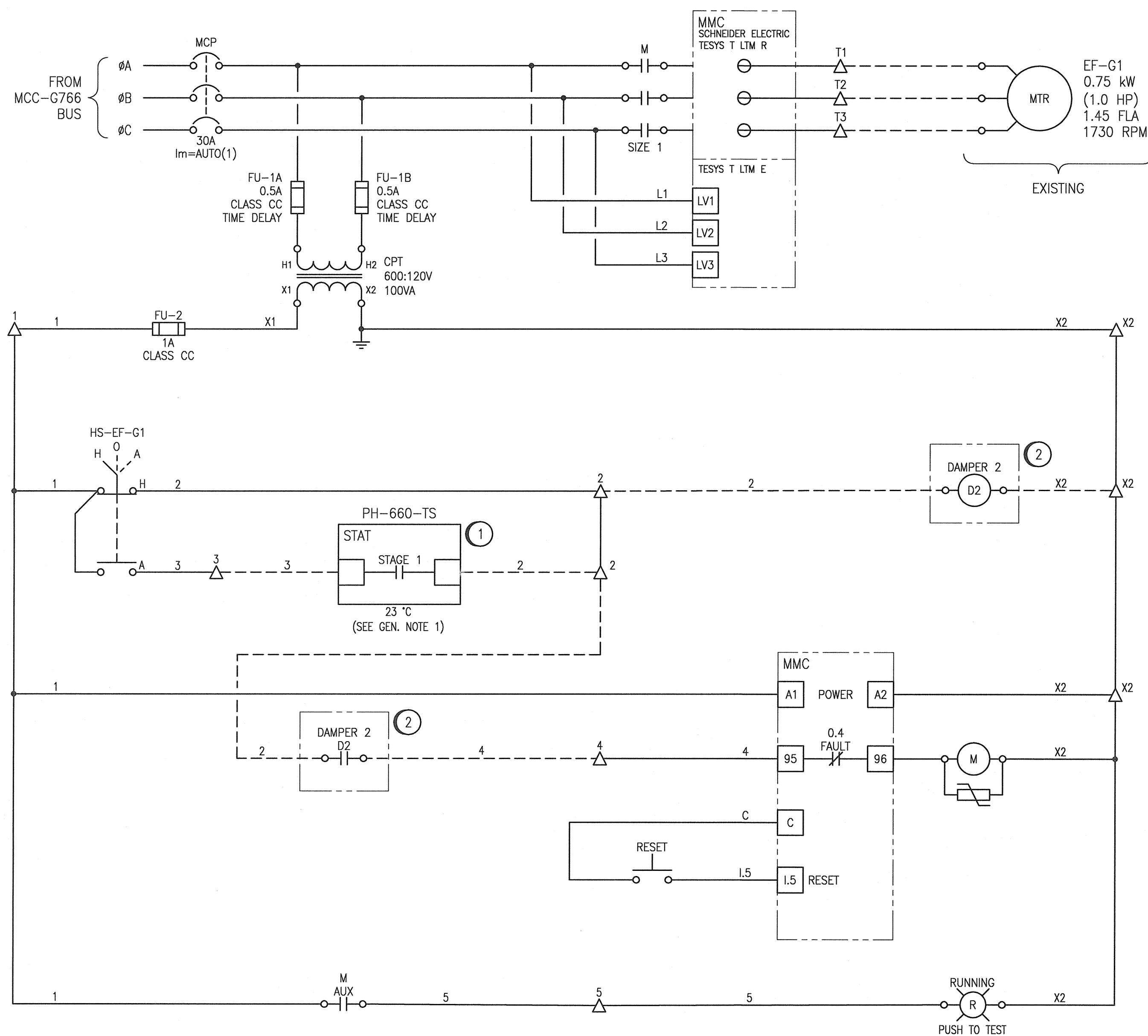
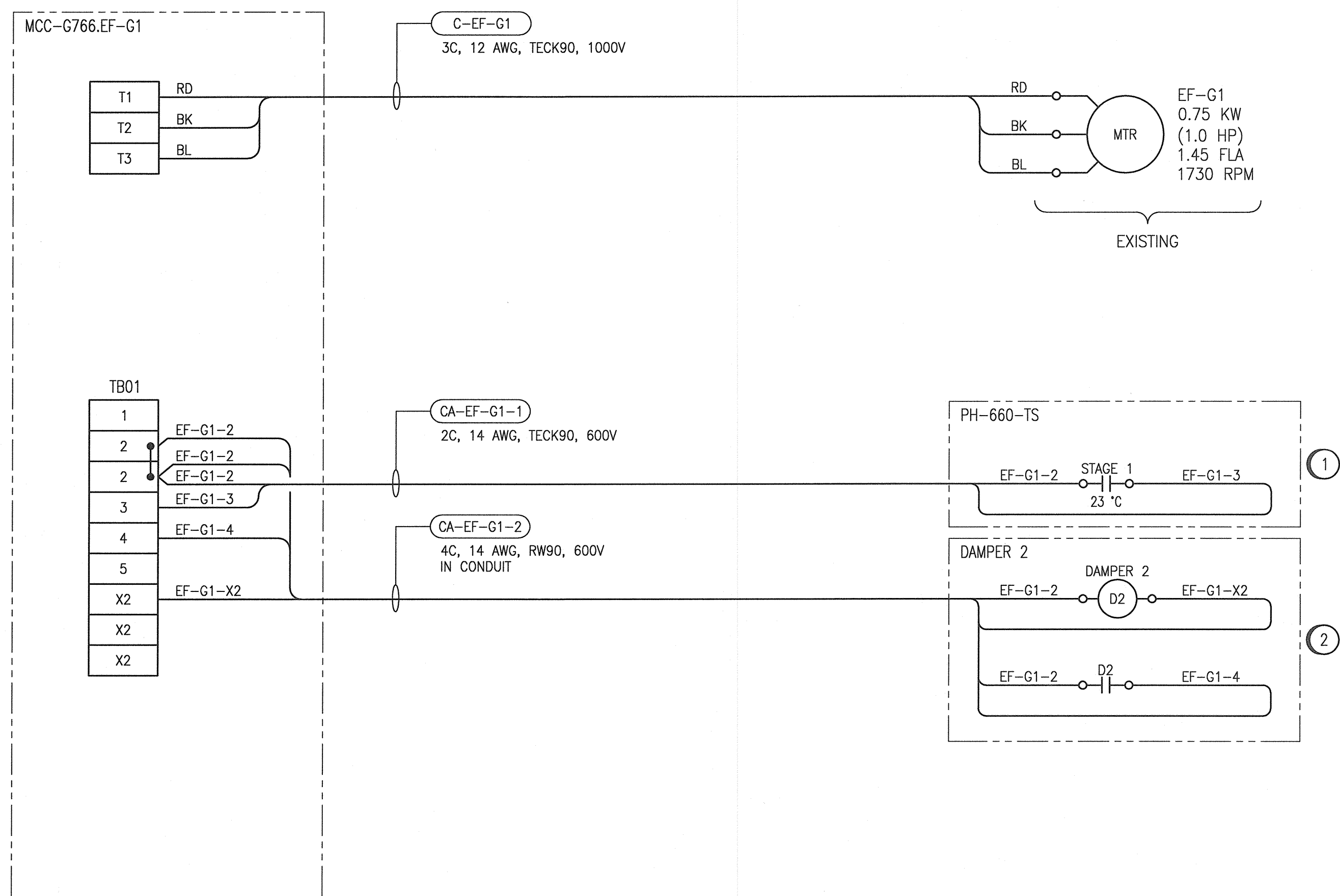


ELEMENTARY DIAGRAM:



FIELD CONNECTION DIAGRAM:



GENERAL NOTES:

1. AT 23 °C, DAMPER 2 OPENS AND STARTS EXHAUST FAN EF-G1.
2. EXHAUST FAN EF-G1 CONTROL SCHEME IS PER EXISTING SCHEME BASED ON EXISTING DOCUMENTATION.

CONSTRUCTION NOTES:

- ① THERMOSTAT IS EXISTING. WIRE TO THERMOSTAT SIMILAR TO EXISTING.
- ② DAMPER 2 IS EXISTING. WIRE TO DAMPER SIMILAR TO EXISTING.

1-0640M-E0008	EQUIPMENT PLAN, GENERATOR RM. & LOAD BANK LLD-G767
1-0640B-E0006	MCC ELEVATION & SINGLE LINE, GENERATOR ROOM, MCC-G766
DRAWING NUMBER	REFERENCE DRAWINGS



		SNC-LAVALIN INC. 148 Nature Park Way Winnipeg, MB, Canada R3P 0X7 204-788-8080		ENGINEER'S SEAL 	
DESIGNED BY: V. ELIMBAN		CHECKED BY: K. SAPIAK		THE CITY OF WINNIPEG WATER AND WASTE DEPARTMENT MCHILLIPS PUMPING STATION ELECTRICAL AND HVAC UPGRADES, MCC REPLACEMENT MOTOR STARTER SCHEMATIC GENERATOR ROOM EF-G1 EXHAUST FAN	
DRAWN BY: J. GRAGASIN		APPROVED BY: D. BECKER		CITY DRAWING NUMBER 1-0640B-E0009	
SCALE: NTS		ISSUED FOR CONSTRUCTION BY: A. WEISS DATE: 2019/10/18		SHEET 001	
DATE: 2019/06/11		CONSULTANT NO.:		REV. 00	
NO. REVISIONS		DATE		SIZE A1	