

BILL OF MATERIAL			
ITEM	QTY	DESCRIPTION	MANUFACTURER / PART NUMBER
1	AS REQ'D	UNIVERSAL SERVIT, COPPER RUN 1/0 - 2/0 AND TAP #8-2/0 AWG	BURNDY P/N: KSU26
2	AS REQ'D	FENCE POST GROUNDING CONNECTOR, HOT DIPPED TIN PLATED COPPER 40 (1 5/8"-1 7/8") O.D. PIPE SIZE TO 2/0 AWG - 250 MCM CABLE	BURNDY P/N: GAR1729W
3	AS REQ'D	FENCE LINE AND LIGHT POST GROUNDING CONNECTOR, HOT DIPPED TIN PLATED COPPER 50 (2"-2 1/4") O.D. PIPE SIZE TO 2/0 AWG - 250 MCM CABLE	BURNDY P/N: GAR1829W
4	AS REQ'D	FENCE CORNER POST GROUNDING CONNECTOR, HOT DIPPED TIN PLATED COPPER 80 (3"-3 1/2") O.D. PIPE SIZE TO 2/0 AWG - 250 MCM CABLE	BURNDY P/N: GAR2029W
5	AS REQ'D	FENCE GATE POST GROUNDING CONNECTOR, HOT DIPPED TIN PLATED COPPER 115 (4"-4 1/2") O.D. PIPE SIZE TO 2/0 AWG - 250 MCM CABLE	BURNDY P/N: GAR2229W
6	AS REQ'D	COMPRESSION CONNECTOR, COPPER, RUN #1-2/0 AWG TO TAP #1-2/0 AWG	BURNDY P/N: YGHC26C26
7	AS REQ'D	1/0 AWG EXTRA FLEX COPPER TIN-PLATED CABLE (FT)	(GENERIC)
8	AS REQ'D	2/0 AWG STR. CU CABLE TIN-PLATED (FT)	(GENERIC)

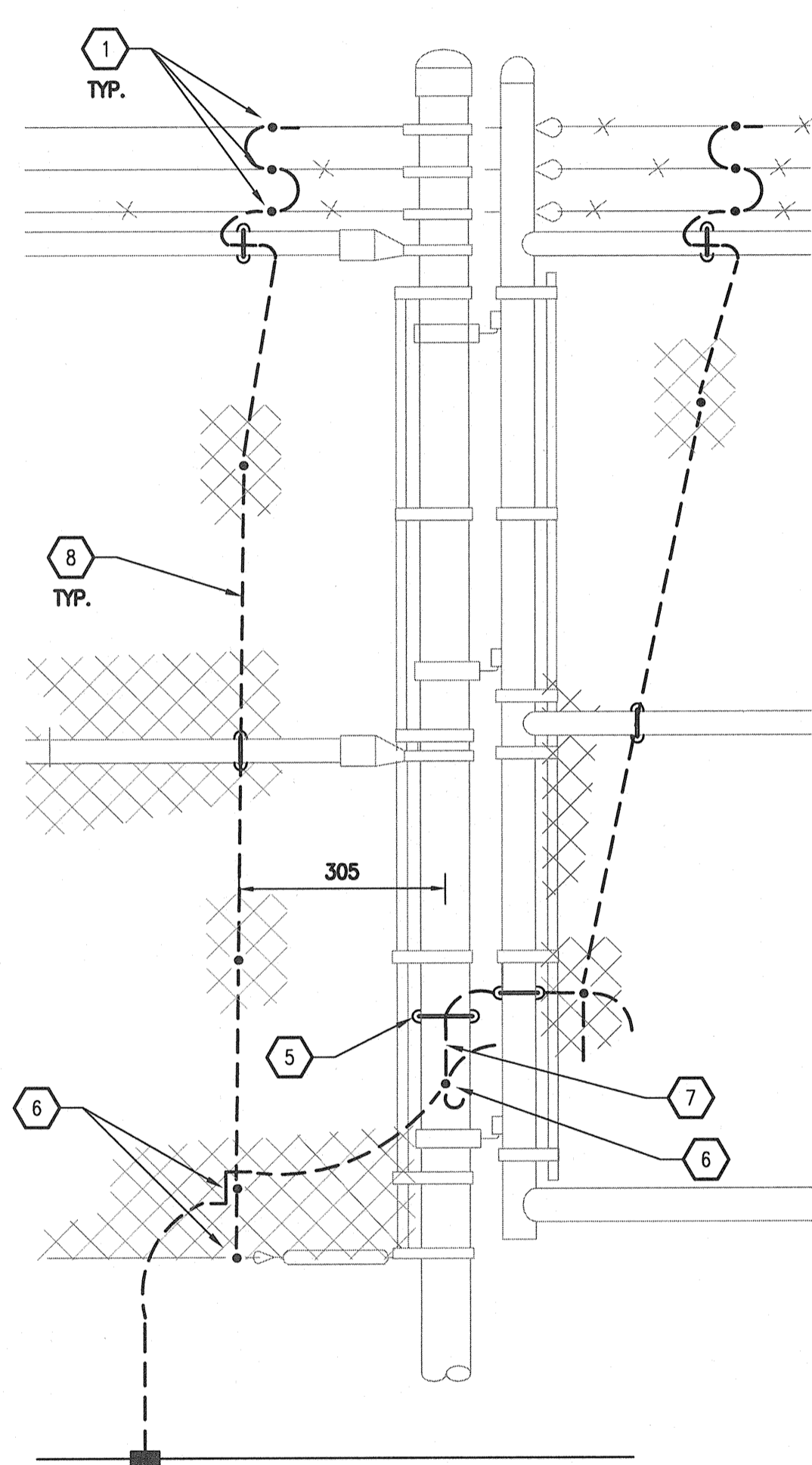
* THIS BILL OF MATERIALS IS INDICATIVE ONLY AND DOES NOT NECESSARILY INCLUDE ALL MATERIALS OR MISCELLANEOUS MATERIALS REQUIRED. IT IS INTENDED TO BE USED AS A GENERAL GUIDELINE ONLY AND IT IS THE RESPONSIBILITY OF THE VENDOR/FABRICATOR/ELECTRICAL CONTRACTOR TO PROVIDE ALL MATERIALS REQUIRED FOR A COMPLETE AND WORKING SYSTEM.

GENERAL NOTES:

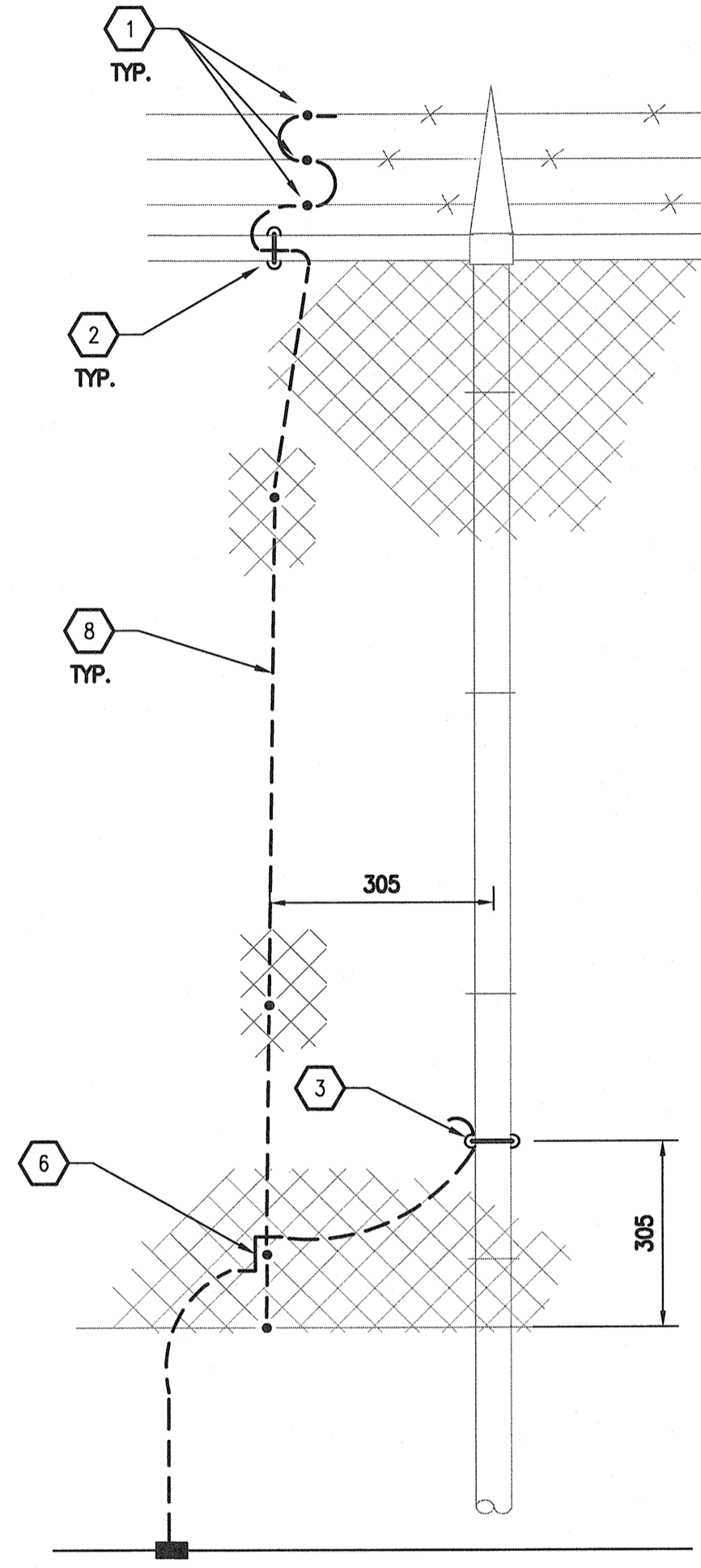
1. THE FENCE SHALL BE BONDED TO THE GROUND GRID AT EVERY CORNER POST, GATE POST, AND AT EVERY FENCE SIDE.
2. THE FENCE BONDING CONDUCTOR SHALL BE WOVEN THROUGH THE FENCE A MINIMUM OF TWO TIMES.

LEGEND:

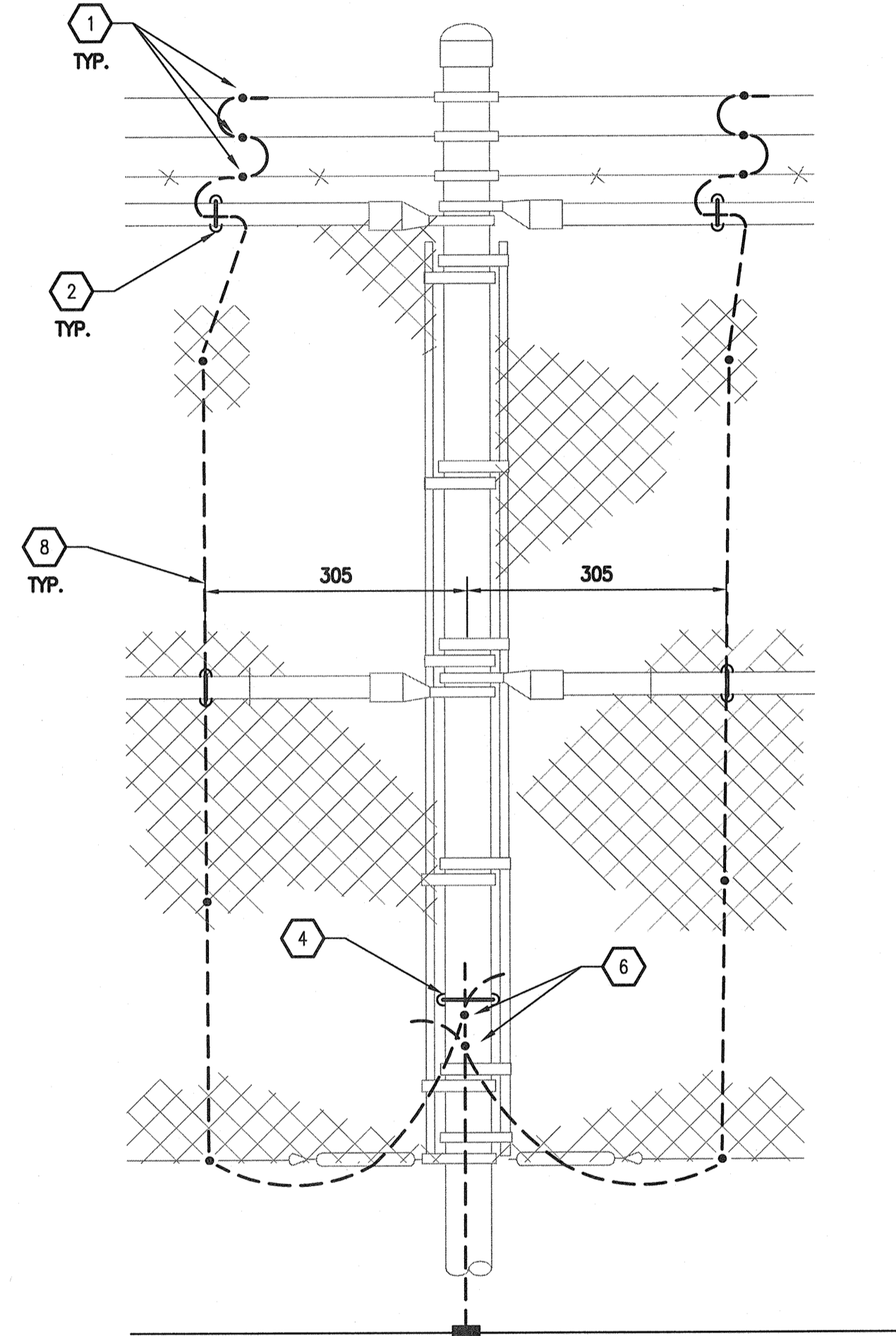
- 2/0 TINNED CU GROUND CONDUCTOR (8)
- 4/0 TINNED CU GROUND CONDUCTOR
- COMPRESSION CONNECTION (1)
- EXOTHERMIC CONNECTION



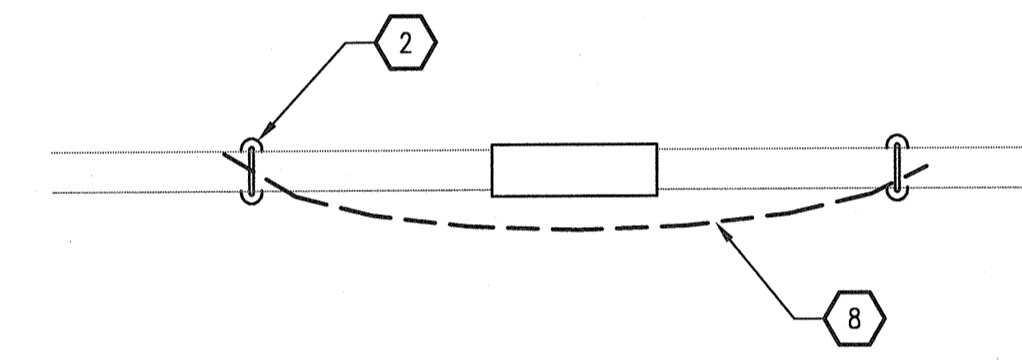
(A) GATE POST DETAIL (TYPICAL)
NTS



(B) LINE POST DETAIL (TYPICAL)
NTS



(C) CORNER POST DETAIL (TYPICAL)
NTS



(D) TOP RAIL DETAIL (TYPICAL)
NTS

LAST SAVE: 2019/11/04 - 8:50am
PATH: M:\661472\FENG\252STR\DD - General DWG\01 McPhillips\1-0640A-S0002-002.dwg

1-0640M-E0045-001	MAIN FLOOR GROUNDING LAYOUT
1-640A-S0002-001	CDR-M640 FENCING LAYOUT
DRAWING NUMBER	REFERENCE DRAWINGS



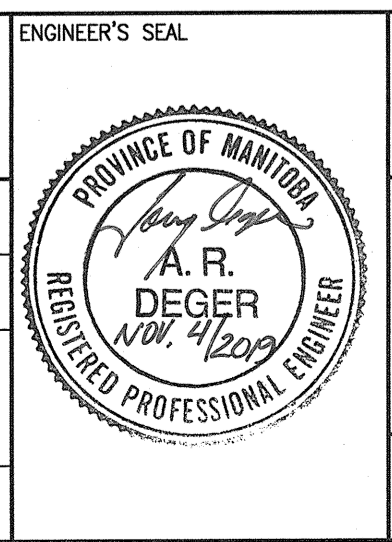
NO.	REVISIONS	DATE	DESIGN	CHECK
00	ISSUED FOR TENDER AND CONSTRUCTION	2019/11/04	TD	TD

SNC-LAVALIN INC.
148 Nature Park Way
Winnipeg, MB, Canada R3P 0X7
204-786-8080

DESIGNED BY: I. DEGER
DRAWN BY: K. MCINTOSH
SCALE: AS NOTED
DATE: 2019/09/05

CHECKED BY: I. DEGER
APPROVED BY: D. BECKER
ISSUED FOR CONSTRUCTION BY: A. WEISS
DATE: 2019/11/04

CONSULTANT NO.: 661472-0000-43DD-0001



THE CITY OF WINNIPEG
WATER AND WASTE DEPARTMENT

MCPHILLIPS PUMPING STATION
MAIN PUMPING STATION BUILDING
CIVIL
CDR-M640 FENCE
GROUNDING DETAILS

CITY DRAWING NUMBER: 1-0640A-S0002
SHEET: 002
REV: 00
SIZE: A1