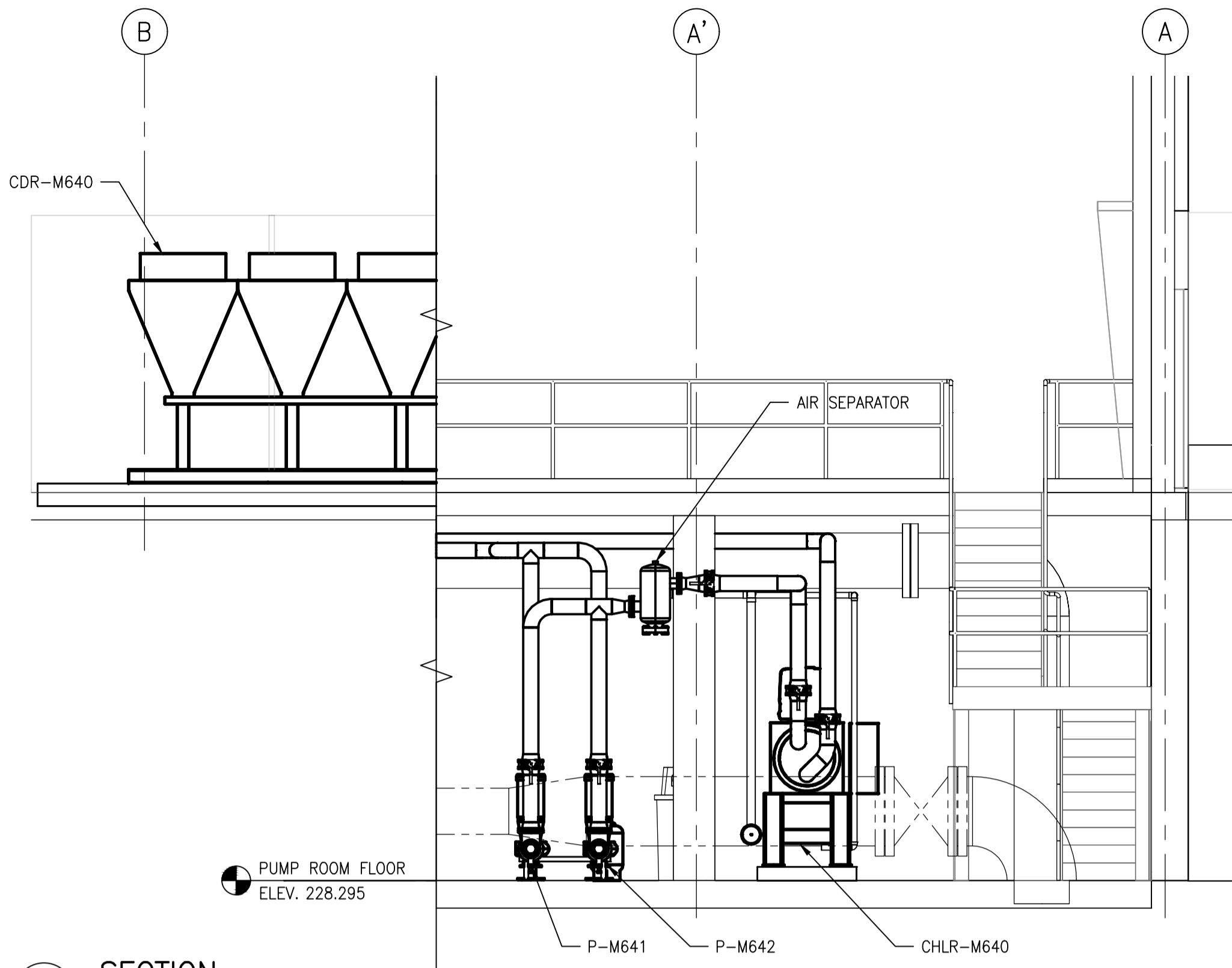


1 SECTION
SCALE: 1:50

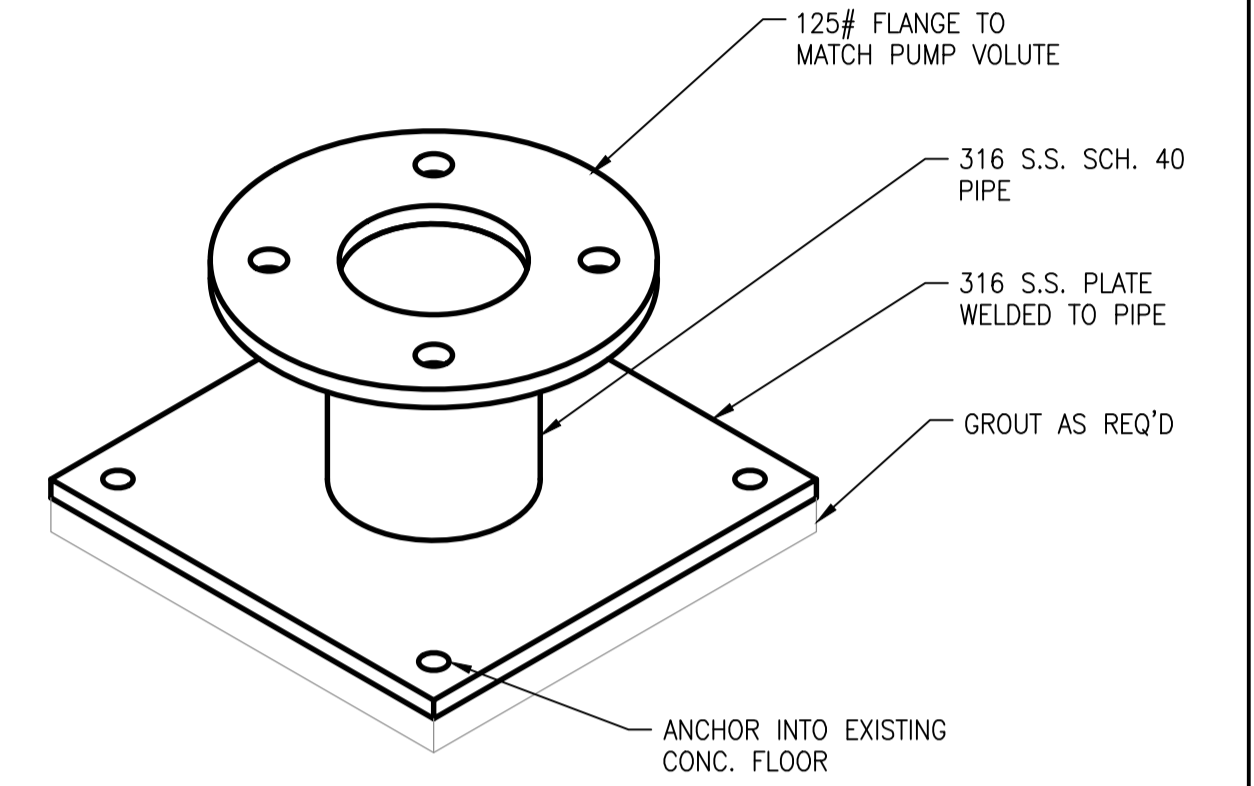
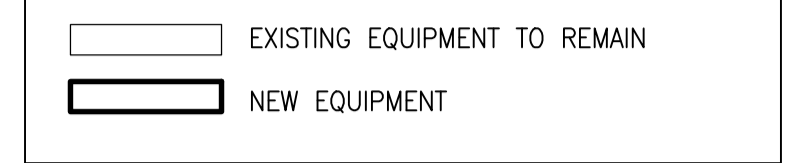


2 SECTION
SCALE: 1:50

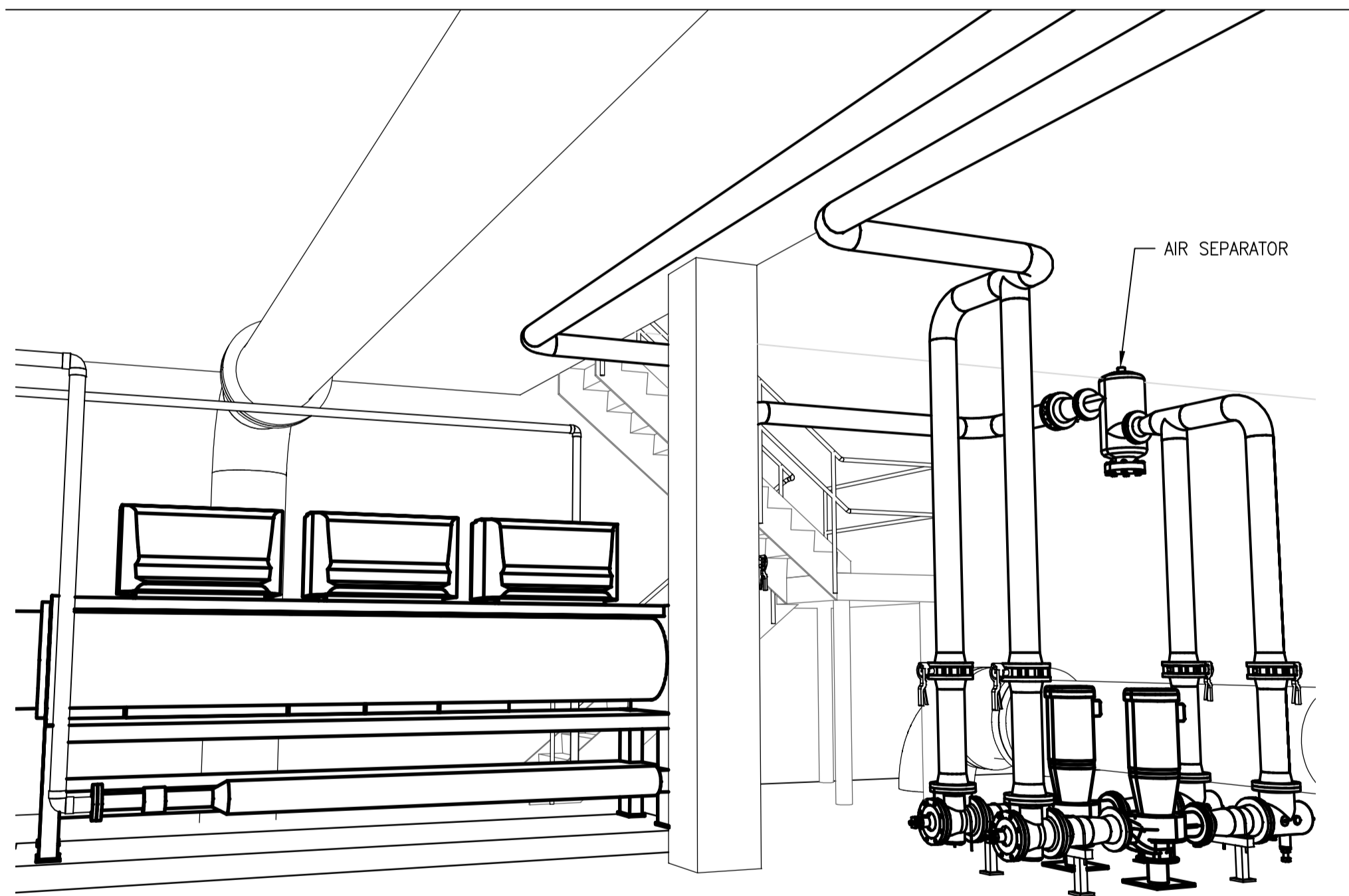
GENERAL NOTES

1. DRAWING INFORMATION BASED ON HISTORICAL DRAWING McP-230 AND SITE INVESTIGATIONS.

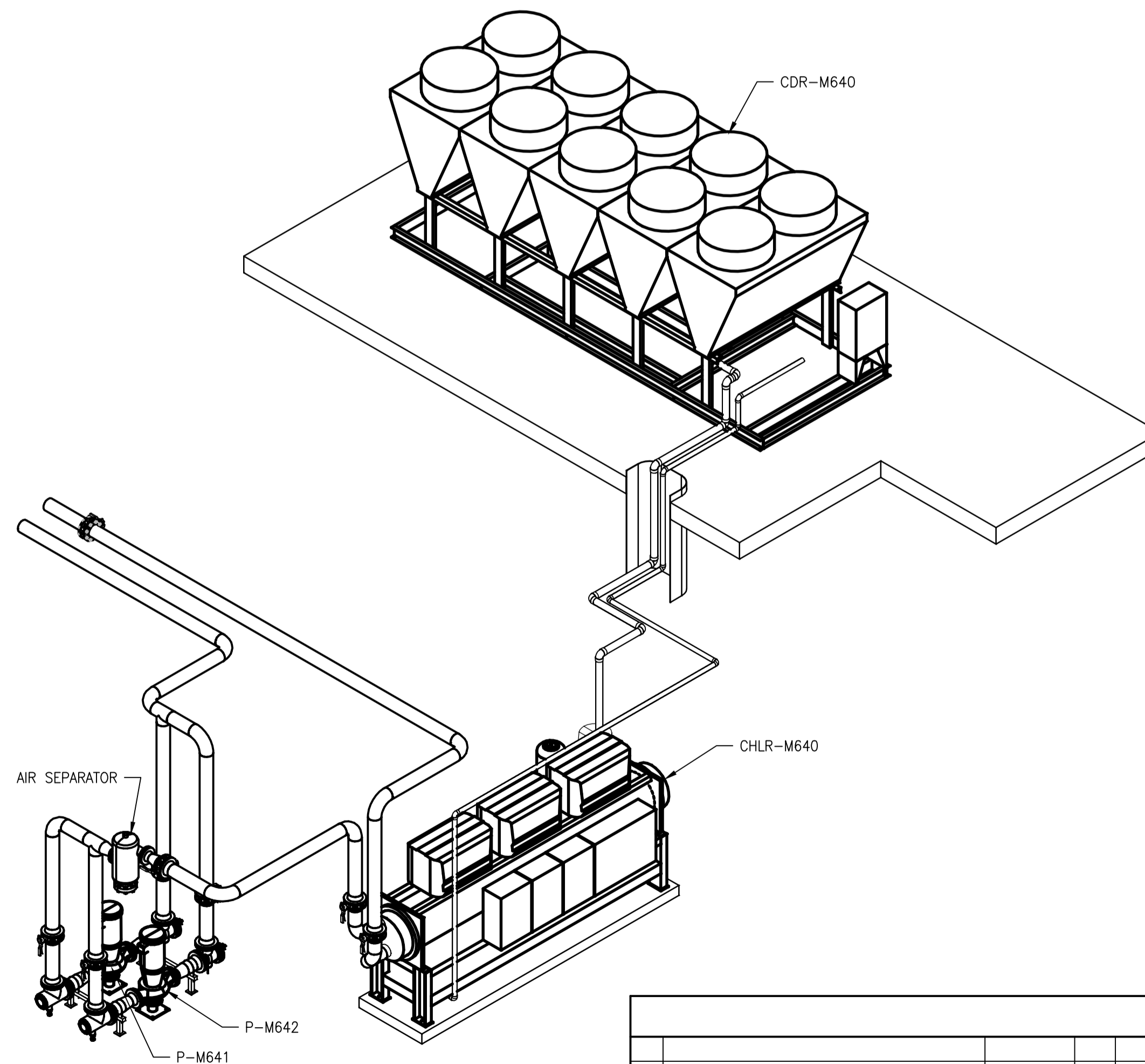
LEGEND



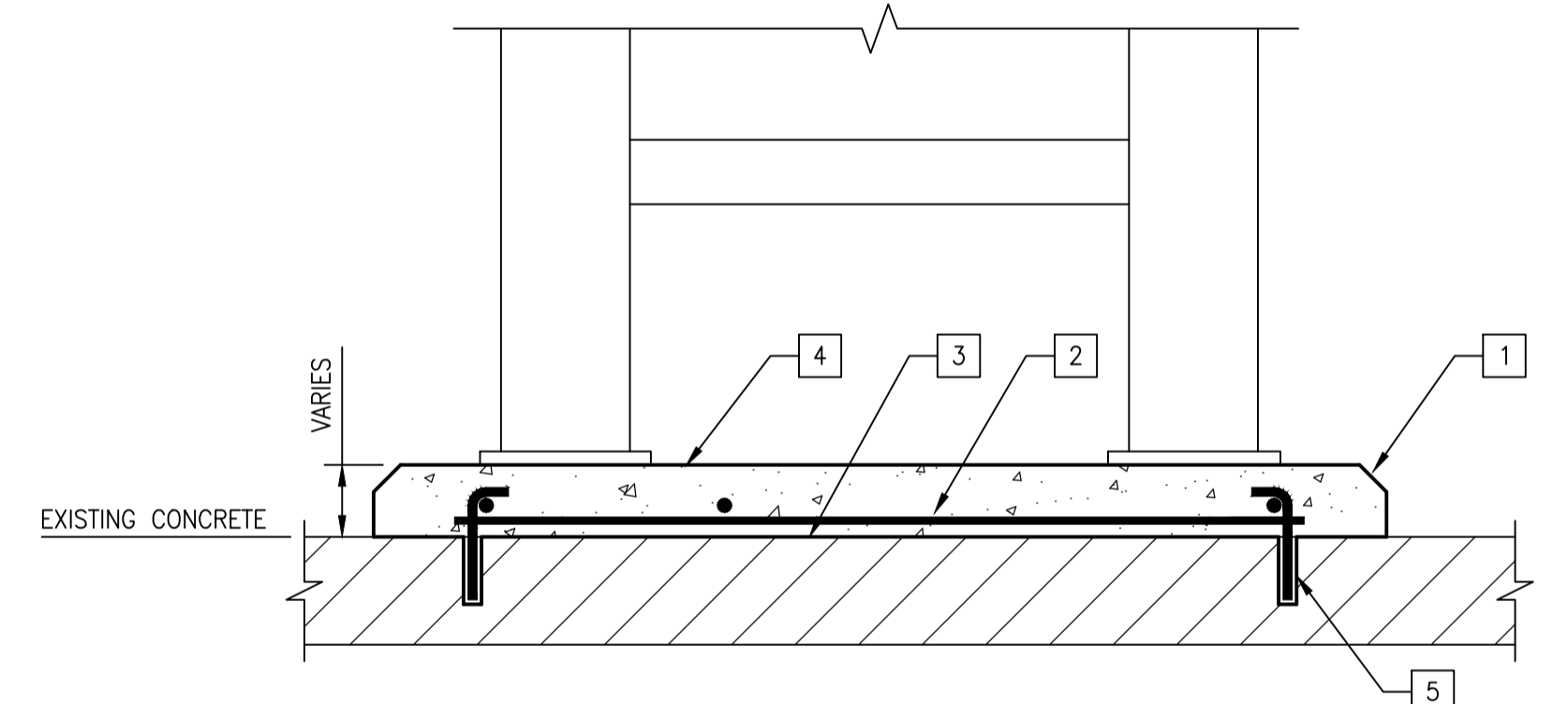
PUMP SUPPORT DETAIL
N.T.S.



A 3D VIEW - PUMP ROOM
SCALE: N.T.S.



B PIPING ISOMETRIC
SCALE: N.T.S.



CONCRETE NOTES

- 1 38 CHAMFER ON EXPOSED CORNERS, (TYPICAL).
- 2 PROVIDE 10M BARS AT 400 O/C TOP EACH WAY.
- 3 BUSHHAMMER TO 19 PROFILE AND APPLY BONDING AGENT.
- 4 STEEL TROWEL FINISH. PROVIDE 15M @ 800 ALL AROUND.
- 5 EMBED 89 (USE HILTI HIT SYSTEM).

C CONCRETE PAD DETAIL
SCALE: N.T.S.

METRIC

WHOLE NUMBERS INDICATE MILLIMETRES
DECIMALIZED NUMBERS INDICATE METRES



1:50



MCPHILLIPS PUMPING STATION
MAIN PUMPING STATION BUILDING
MECHANICAL
CHLR-M640
SECTIONS AND DETAILS

CITY DRAWING NUMBER SHEET REV. SIZE
1-0640M-M0008 001 00 A1

DESIGNED BY: H. OJO	CHECKED BY: S. NORSWORTHY
DRAWN BY: K. MOHAMMED	APPROVED BY: S. NORSWORTHY
SCALE: AS NOTED	ISSUED FOR CONSTRUCTION BY: DATE:
DATE: 2019/06/28	DATE:
CONSULTANT NO.:	

00	ISSUED FOR TENDER AND CONSTRUCTION	2019/11/01	
NO.	REVISIONS	DATE	DESIGN CHECK