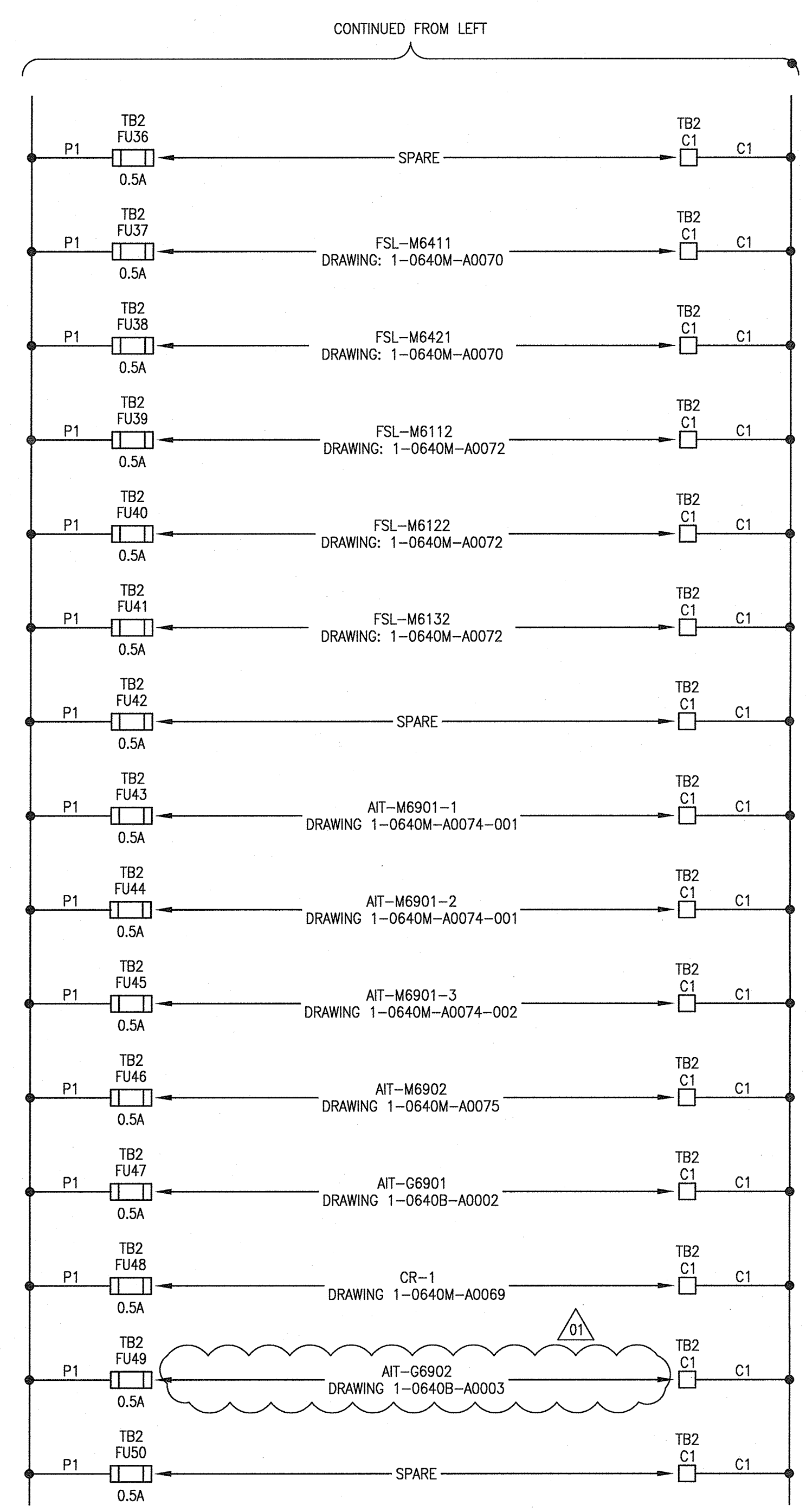
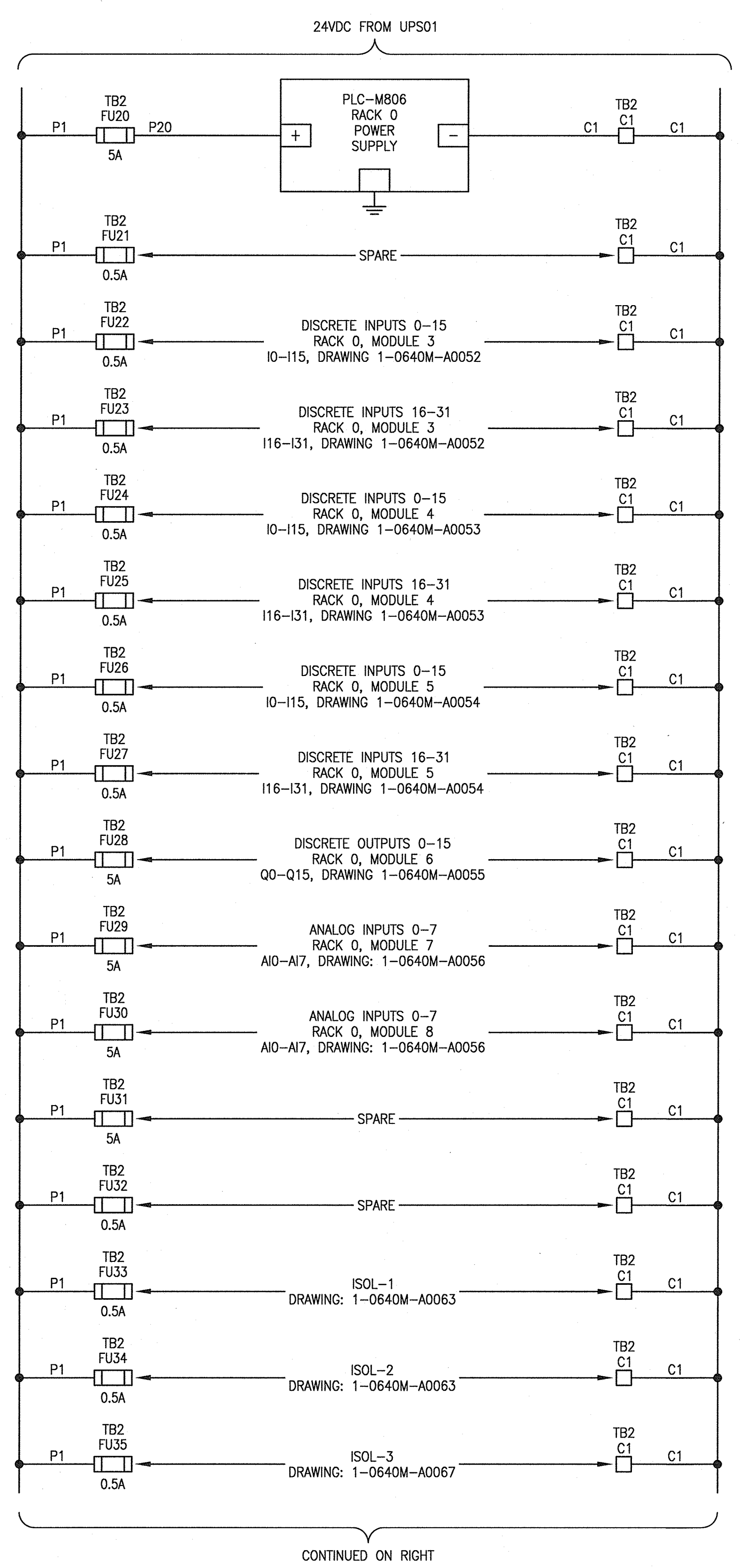
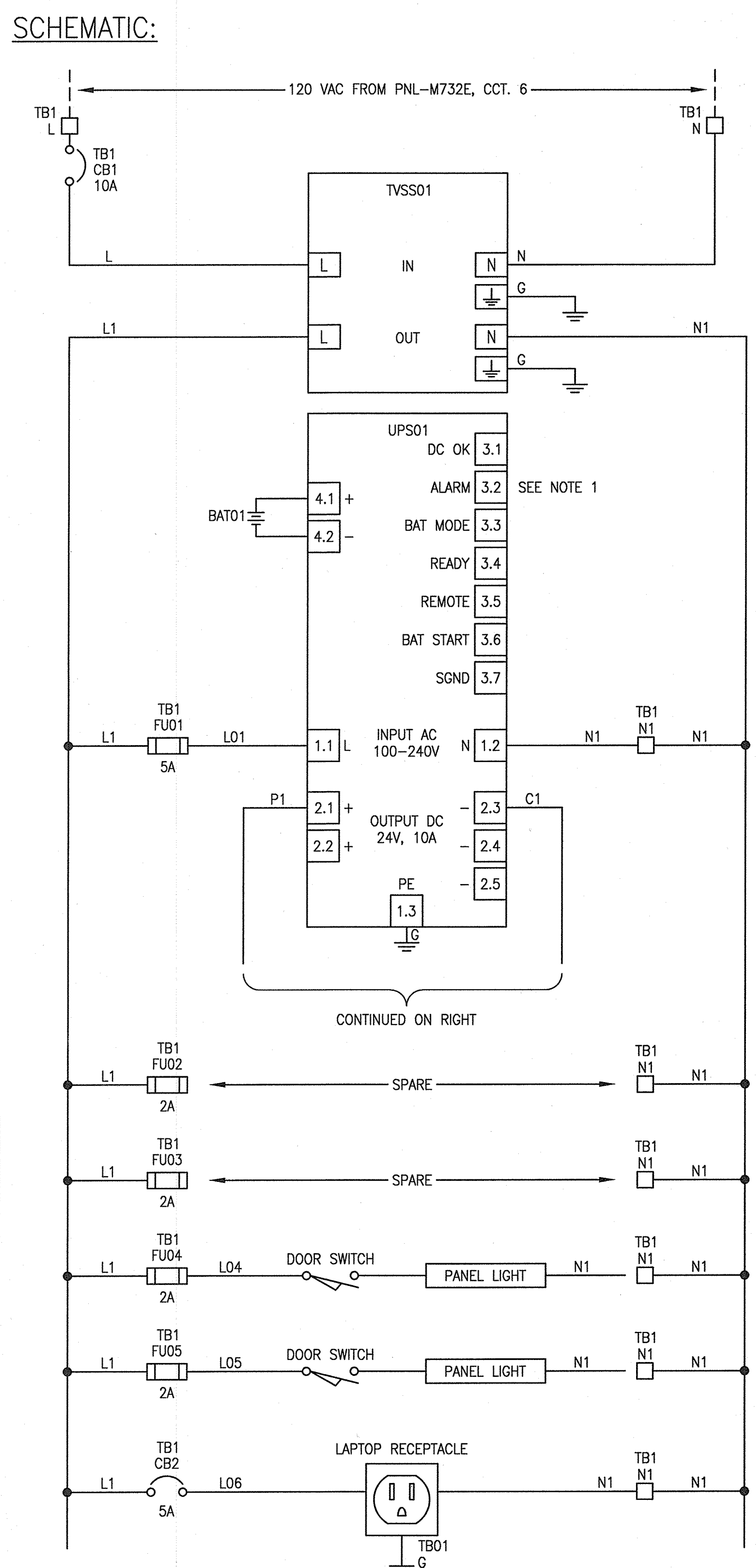


LAST SAVE: 2020/01/06 - 11:59am
 PATH: M:\66172\VEN\3\830\DD - Instrumentation\1-0640M-A0051-01.dwg
 McPhillips WIP ADDENDUM 3 - Instrumentation\1-0640M-A0051-01.dwg
 AI SIZE - 594mm x 841mm

FUSE SCHEDULE			
TB	IDENTIFIER	SIZE	RATED CURRENT (A)
TB1	FU01	5x20mm	5A TD
	FU02	5x20mm	2A FA
	FU03	5x20mm	2A FA
	FU04	5x20mm	2A FA
	FU05	5x20mm	2A FA
TB2	FU20	5x20mm	5A TD
	FU21	5x20mm	0.5 FA
	FU22	5x20mm	0.5 FA
	FU23	5x20mm	0.5 FA
	FU24	5x20mm	0.5 FA
	FU25	5x20mm	0.5 FA
	FU26	5x20mm	0.5 FA
	FU27	5x20mm	0.5 FA
	FU28	5x20mm	5 FA
	FU29	5x20mm	5 FA
	FU30	5x20mm	5 FA
	FU31	5x20mm	5 FA
	FU32	5x20mm	0.5 FA
	FU33	5x20mm	0.5 FA
	FU34	5x20mm	0.5 FA
	FU35	5x20mm	0.5 FA
	FU36	5x20mm	0.5 FA
	FU37	5x20mm	0.5 FA
	FU38	5x20mm	0.5 FA
	FU39	5x20mm	0.5 FA
	FU40	5x20mm	0.5 FA
	FU41	5x20mm	0.5 FA
	FU42	5x20mm	0.5 FA
	FU43	5x20mm	0.5 FA
	FU44	5x20mm	0.5 FA
FU45	5x20mm	0.5 FA	
FU46	5x20mm	0.5 FA	
FU47	5x20mm	0.5 FA	
FU48	5x20mm	0.5 FA	
FU49	5x20mm	0.5 FA	
FU50	5x20mm	0.5 FA	

NOTE:
 TD = TIME DELAY
 FA = FAST ACTING

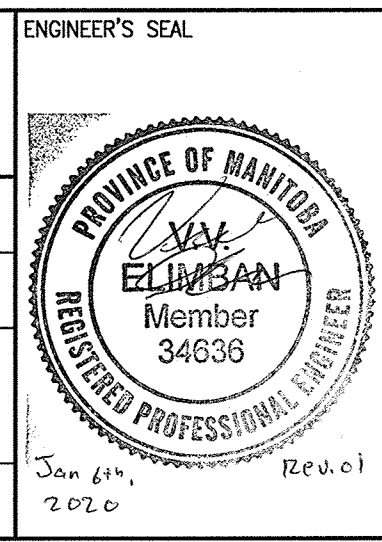
POWER CONSUMPTION SCHEDULE AT 24VDC			
DEVICE	QTY	AMPS (mA)	SUBTOTAL (mA)
PLC-M806	1	1650	1650
DISCRETE INPUTS	96	2.5	240
DISCRETE OUTPUTS	16	50	800
ANALOG INPUTS	16	20	320
MIT ISOLATOR/CONVERTER	3	108	324
FSL TD1	5	146	730
GAS DETECTORS	5	355	1775
TOTAL (mA)			5839



NOTES:
 1. SEE DWG. 1-0640M-A0073 FOR UPS01 ALARM LOOP DIAGRAM.



SNC-LAVALIN INC. 149 Notre Dame St. Winnipeg, MB, Canada R3P 0X7 204-786-8080		DESIGNED BY: S. BOGHOSIAN	CHECKED BY: B. CLEVEN
DRAWN BY: C. DUBON		APPROVED BY: D. BECKER	
SCALE: NTS		ISSUED FOR CONSTRUCTION BY: A. WEISS	
DATE: 2019/05/30		DATE: 2019/10/18	
CONSULTANT NO.:			
01	ISSUED FOR ADDENDUM 3	2020/01/06	VE VE
00	ISSUED FOR TENDER AND CONSTRUCTION	2019/10/18	VE BC
NO.	REVISIONS	DATE	DESIGN CHECK



THE CITY OF WINNIPEG
 WATER AND WASTE DEPARTMENT

MCPHILLIPS PUMPING STATION

POWER DISTRIBUTION
 HVAC CONTROL PANEL CP-M826

CITY DRAWING NUMBER: 1-0640M-A0051
 SHEET: 001
 REV: 01
 SIZE: A1