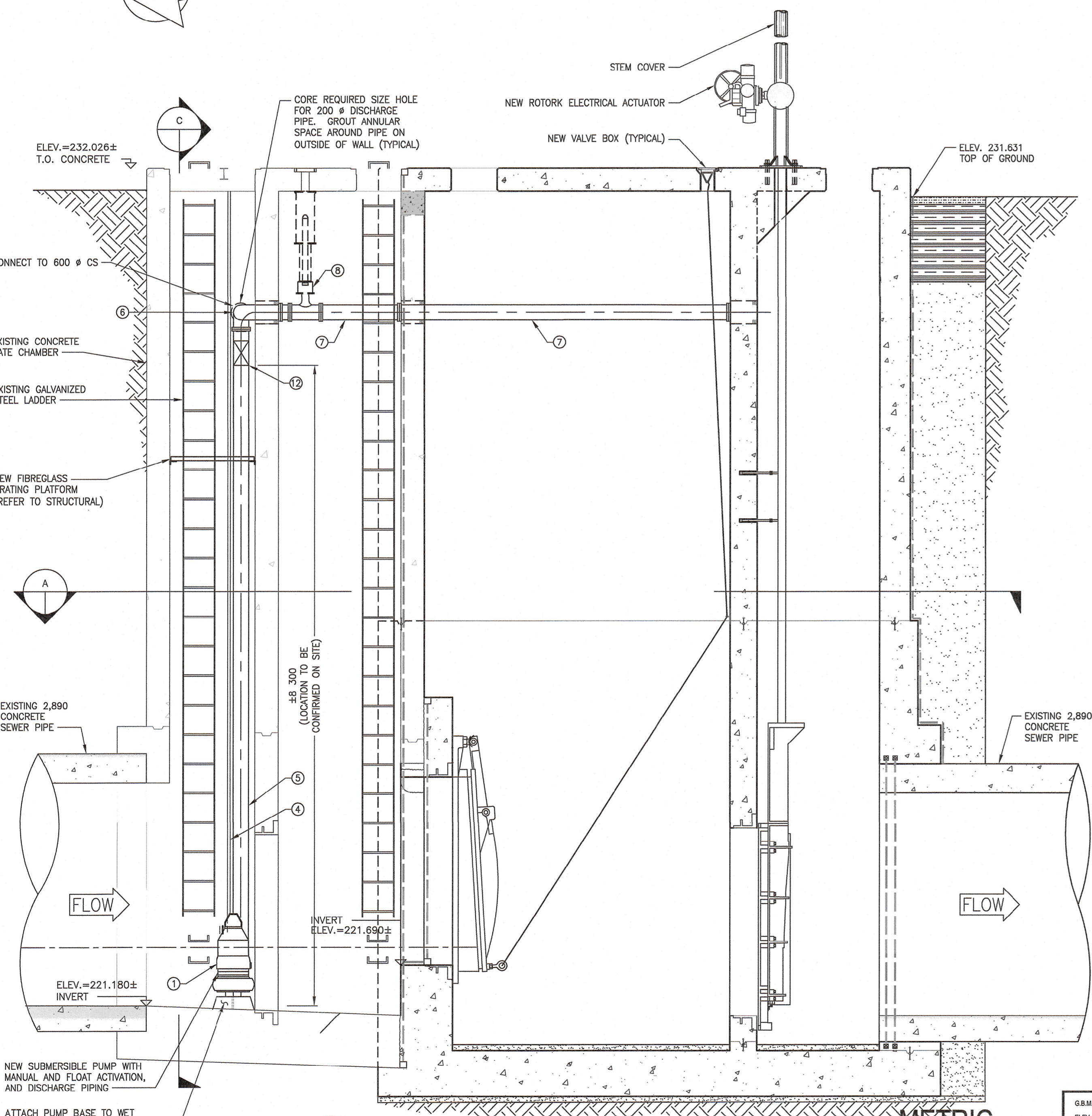
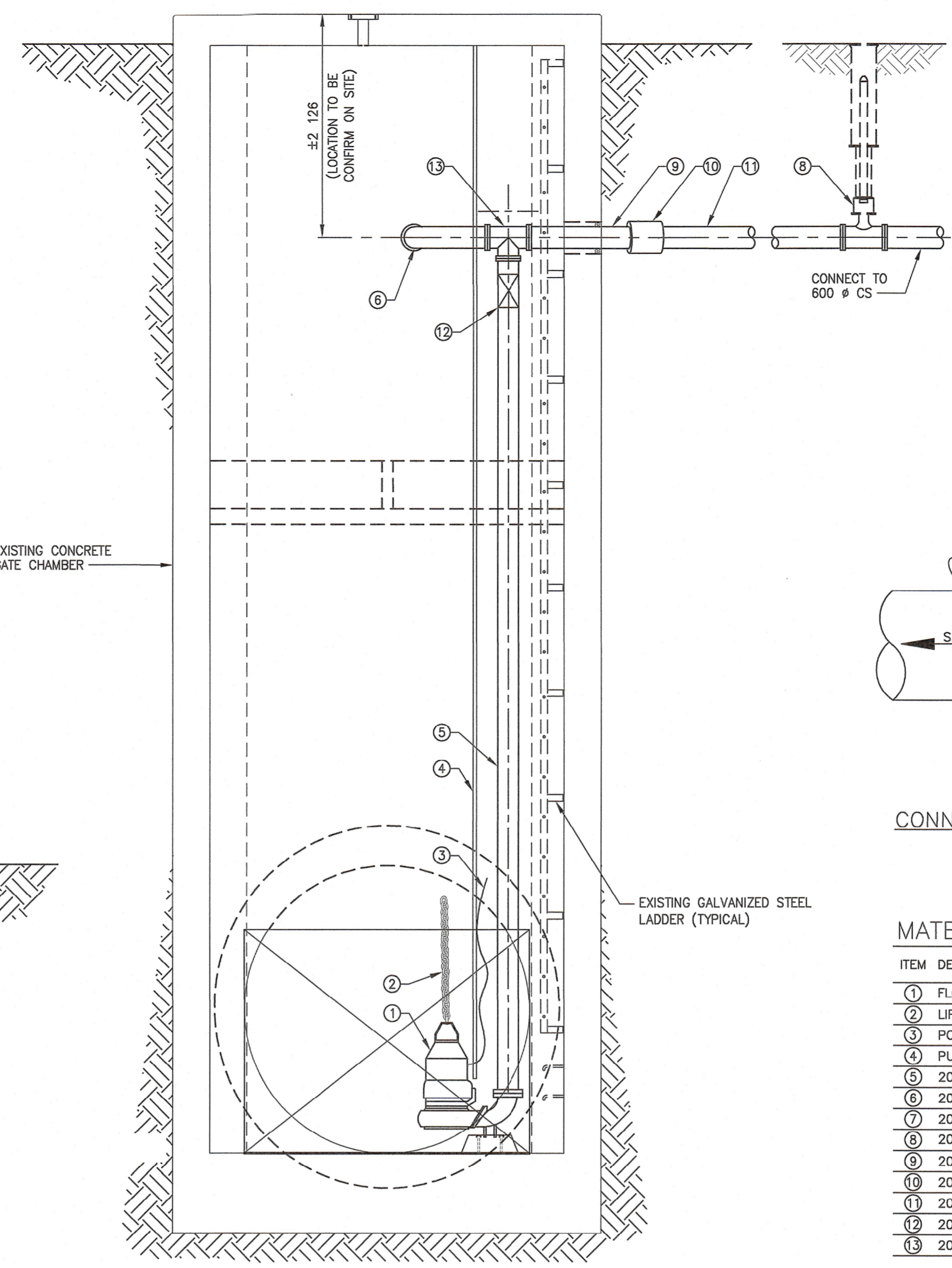


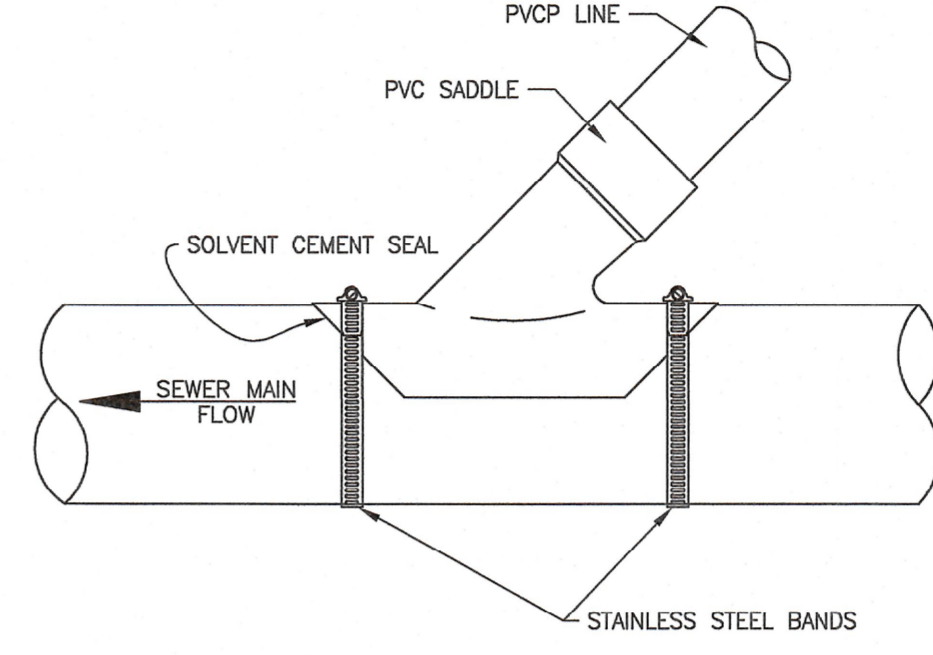
ROOF PLAN
1:40



SECTION B
1:40



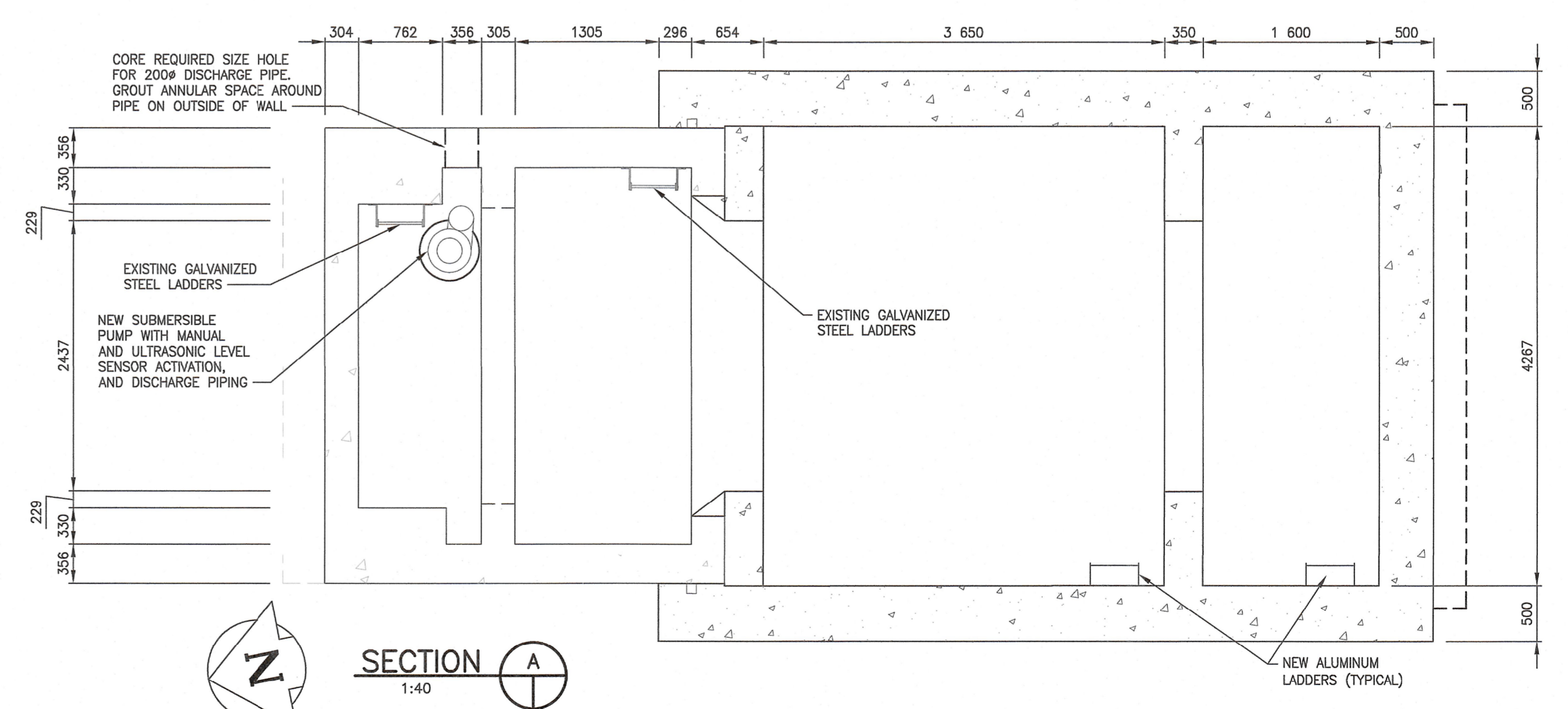
SECTION C
1:40



CONNECTION TO 600Ø SEWER ON AUBREY

MATERIALS LIST

ITEM	DESCRIPTION	ENDS	LENGTH	QUANTITY
①	FLOWSERVE MODEL 8MSX11A, 30 HP SUBMERSIBLE PUMPS C/W BASE ELBOW	FL		1
②	LIFTING CHAIN	-		1
③	POWER CABLE	-	AS REQUIRED	1
④	PUMP GUIDE RAILS	-	AS REQUIRED	1
⑤	200 Ø CL 52 DUCTILE IRON OR SCH 80 STEEL PIPE	FL x PE	AS REQUIRED	1
⑥	200 Ø CL 90° STD RAD ELBOW	FL x FL	AS REQUIRED	1
⑦	200 Ø CL 52 DUCTILE IRON OR SCH 80 STEEL PIPE	FL x PE	AS REQUIRED	2
⑧	200 Ø CL WEDGE GATE VALVE, BRONZE TRIM, OUTSIDE SCREW & YOKE RISING STEM	FL x FL	AS REQUIRED	2
⑨	200 Ø CL 52 DUCTILE IRON OR SCH 80 STEEL PIPE	FL x FL	AS REQUIRED	1
⑩	200 x 200 Ø COUPLING	-		1
⑪	200 Ø SCH 80 PVC PIPE	-	AS REQUIRED	1
⑫	200 Ø CHECK VALVE	-	AS REQUIRED	1
⑬	200 Ø CL STD TEE	FL x FL	AS REQUIRED	1



SECTION A
1:40

NOTES:

- ALLOWABLE SHUT DOWN TIME: 4.0 HOURS (APPROXIMATE)
- PROVIDE TEMPORARY PUMPING OF WASTEWATER DURING CONSTRUCTION.
- INSTALL MECHANICAL AND ELECTRICAL WORK AS INDICATED AND ACCORDING TO MANUFACTURER'S SPECIFICATION.
- EXCAVATIONS TO BE BACKFILLED WITH CLASS 3 OR 5 BACKFILL IN ACCORDANCE WITH C/W 2030 AND SD-002.
- CONTRACTOR TO CONFIRM ALL DIMENSIONS BEFORE ASSEMBLING.
- ANCHOR BOLTS AND FASTENERS SHALL CONFORM TO ASTM A276, TYPE 316 STAINLESS STEEL, OF AMPLE SECTION TO SAFELY WITHSTAND THE FORCES CREATED BY OPERATION OF THE EQUIPMENT OR THE LOAD TO WHICH THEY WILL BE SUBJECTED.

NOTES:

- PVC SOLVENT CEMENT SHALL BE USED FOR PVC SADDLES.
- TRUSS SADDLES SHALL BE USED WITH TRUSS PIPE.
- MAKE A NEAT CIRCULAR HOLE IN THE EXISTING SEWER THE SAME SIZE AS THE SEWER OR SEWER SERVICE TO BE CONNECTED AND INSTALL AN APPROVED PVC SADDLE IN ACCORDANCE WITH THE MANUFACTURER'S INSTRUCTIONS USING STAINLESS STEEL STRAPS OR 6mm DIAMETER STAINLESS STEEL BOLTS.
- MAXIMUM CONNECTION TO AN EXISTING SEWER USING A PVC SADDLE TO BE TWO SIZES SMALLER THAN THE SEWER PIPE.
- INSTALL FASTENING BOLTS WITH HEAD ON THE INSIDE OF THE SEWER PIPE. USE WASHERS IF HOLE HAS CHIPPED DURING DRILLING. DO NOT OVER TIGHTEN BOLTS TO CAUSE STRESS OR DAMAGE TO EXISTING SEWER PIPE.
- LIMIT EXCAVATION BENEATH EXISTING SEWER TO ONLY WHAT IS REQUIRED TO INSTALL SADDLE STRAPS. FILL EXCAVATION BENEATH EXISTING SEWER WITH GROUT OR CEMENT STABILIZED FILL.

Sep 10, 2018 - 4:03pm
 L:\Projects\2018\181-12817-00_ruby & subway st. outfall upgrades (0.m)\03 - chgs\02 working dgs\07 Mech\Sheet\LD-8023.M01.dwg - tab:LD-8023.M01

NOTE: These design documents are prepared solely for the use by the party with whom the design professional has entered into a contract and there are no representations of any kind made by the design professional to any party with whom the design professional has not entered into a contract.

METRIC
WHOLE NUMBERS INDICATE MILLIMETRES
DECIMALIZED NUMBERS INDICATE METRES

**ENGINEERS
GEOSCIENTISTS
MANITOBA**
Certificate of Authorization
WSP Canada Inc.
No. 5750

G.B.M. ELEV.					
DESIGNED BY	REM	CHECKED BY	REM	APPROVED BY	REM
DRAWN BY	RMA	FOR SCALE	AS NOTED	RELEASED FOR CONSTRUCTION	AS NOTED
NO.	REVISIONS	DATE	BY	DATE	
3	ISSUED FOR TENDER	14/09/18	REM		
2	ISSUED FOR REVIEW	15/08/18	REM		
1	ISSUED FOR REVIEW	12/12/16	REM		

WSP Canada Group Limited
93 Lombard Avenue, Suite 111
Winnipeg MB R3B 3B1
T+ 1 204-943-3178
F+ 1 204-943-4948
www.wsp.com

PROVINCIAL REGISTERED PROFESSIONAL ENGINEER
R.E. McCONOMY
6334
SEP 10, 2018

Signature: **Signed by KZ**
September 14, 2018

BD OPPORTUNITY: 865-2018
PLOT DATE: 10/09/2018

THE CITY OF WINNIPEG
WATER AND WASTE DEPARTMENT

Winnipeg

OUTFALL GATE CHAMBER UPGRADES
AUBREY STREET
SRS OUTFALL GATE CHAMBER

EXISTING SRS OUTFALL GATE CHAMBER
MECHANICAL DETAILS

CONSULTANT DRAWING NUMBER
5516047 - M01

SHEET 11 OF 33

CITY DRAWING NUMBER
LD-8023