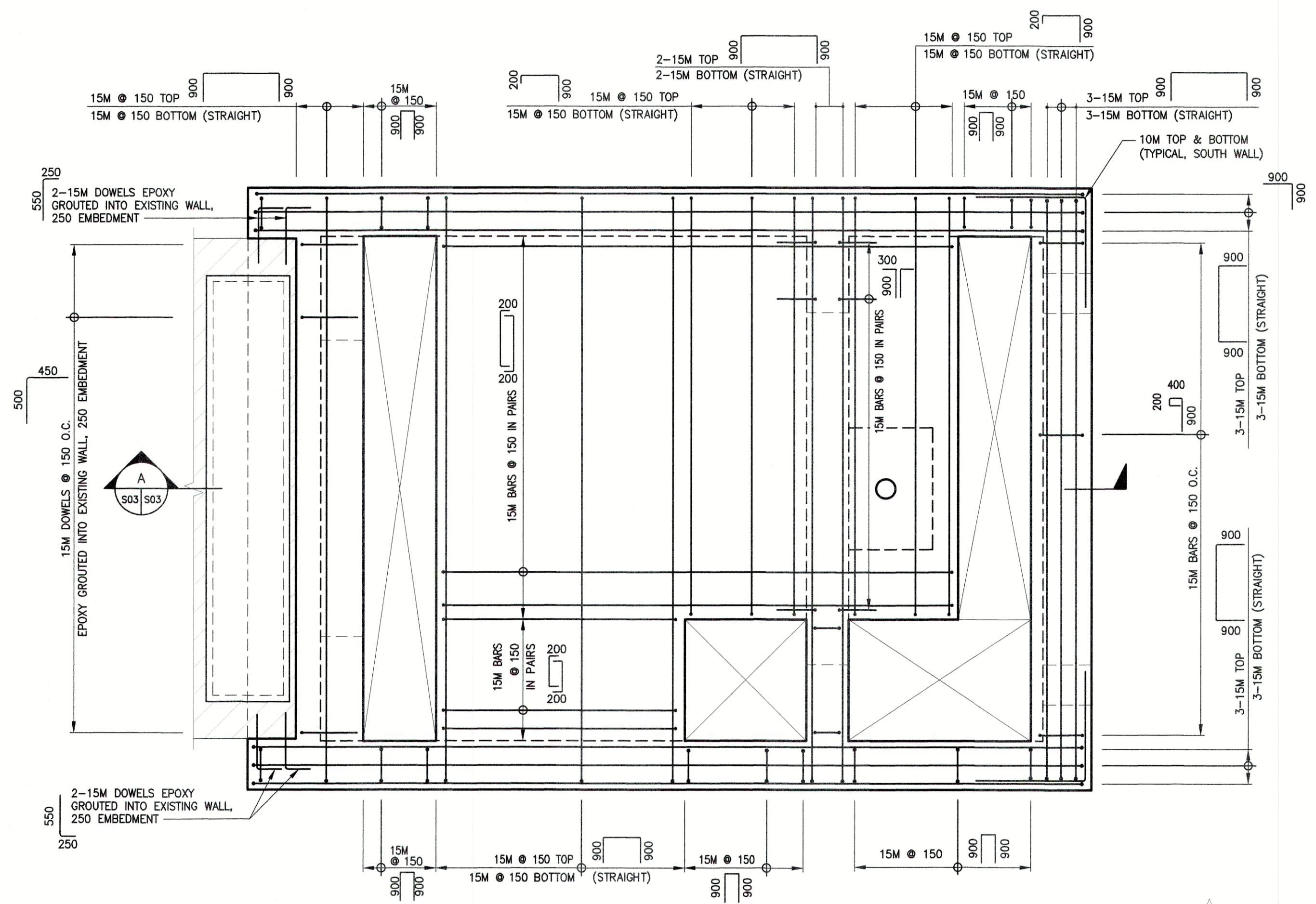
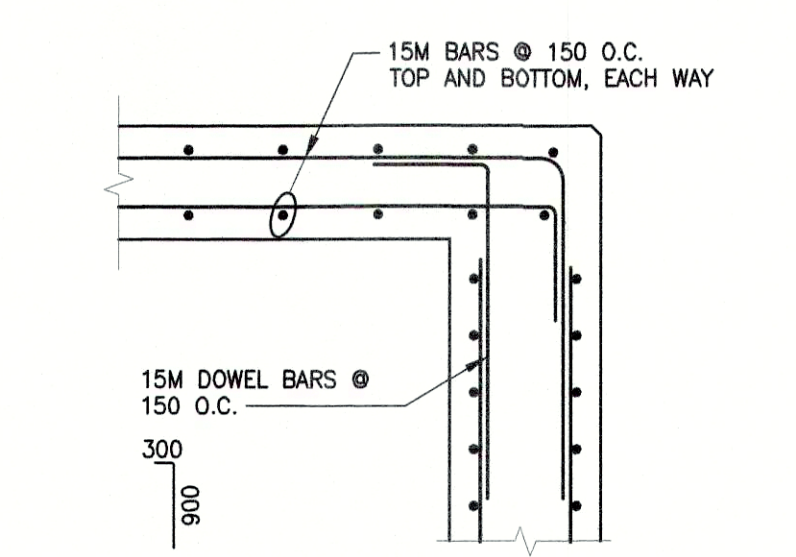


Sep 13, 2018 - 6:13am
 P:\316001-316009\316047 - Ruby & Aubrey Chamber Upgrades\316047 DD Gate Chambers - Aubrey Chamber Upgrades_S01-S04_S07_Concrete & Reinforcing.dwg - Job S03 - Reinforcing details (Sheet 1 of 2)

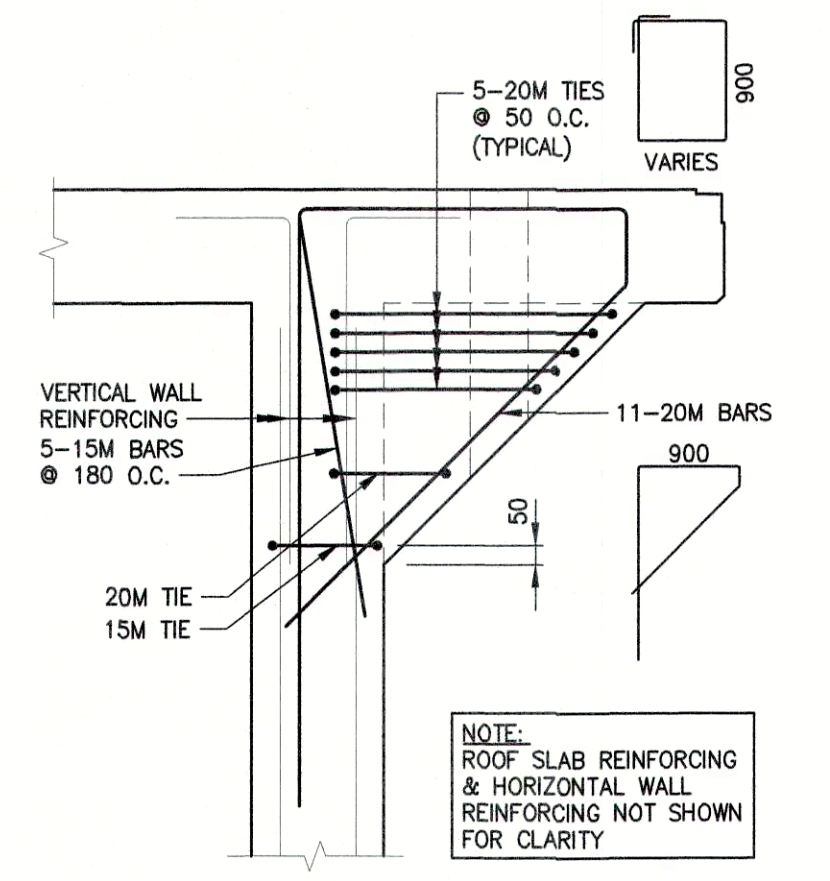


NOTE: CORBEL REINFORCING NOT SHOWN FOR CLARITY

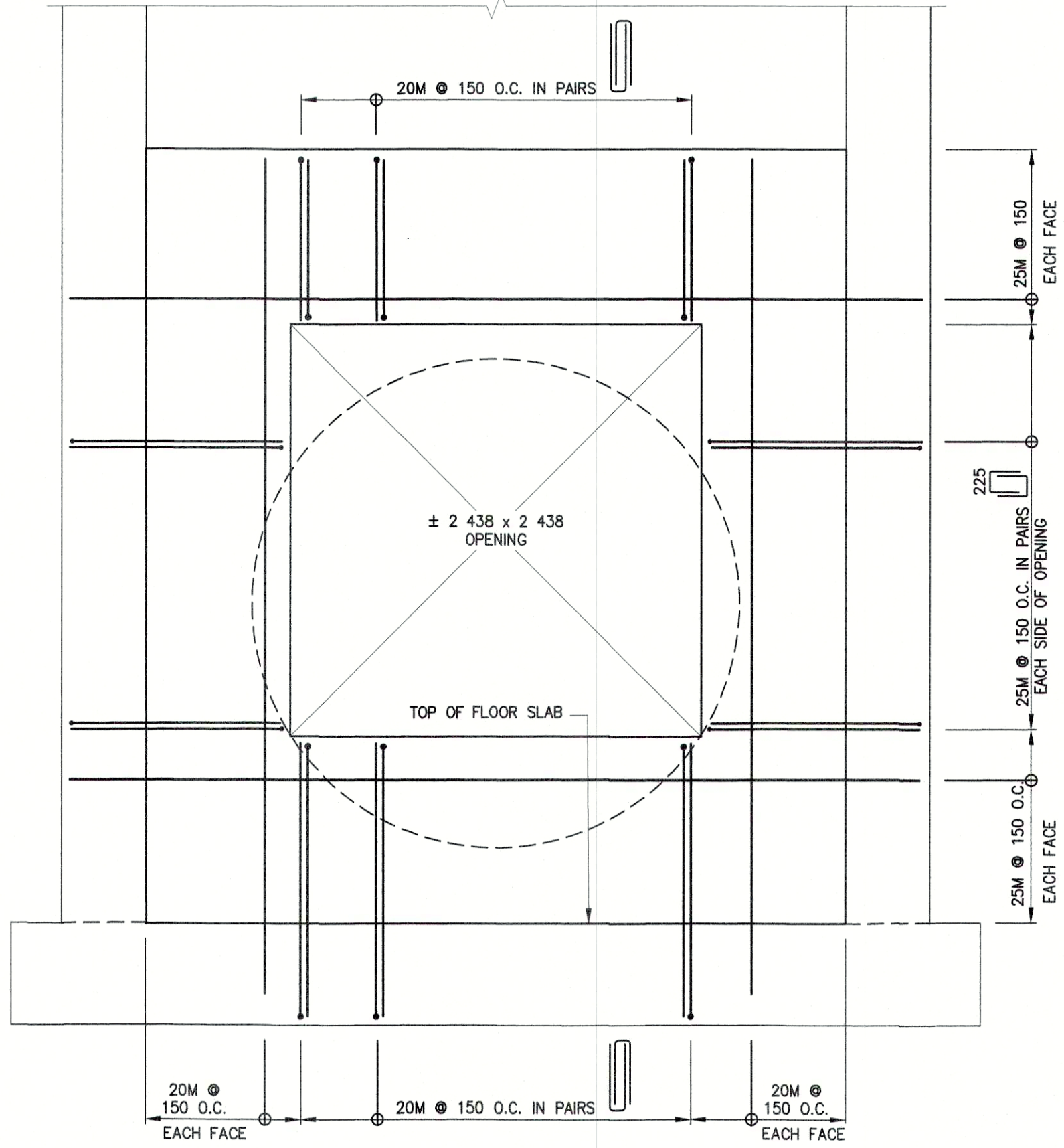
ROOF SLAB REINFORCING PLAN
1:30



CHAMBER ROOF DETAIL
1:20

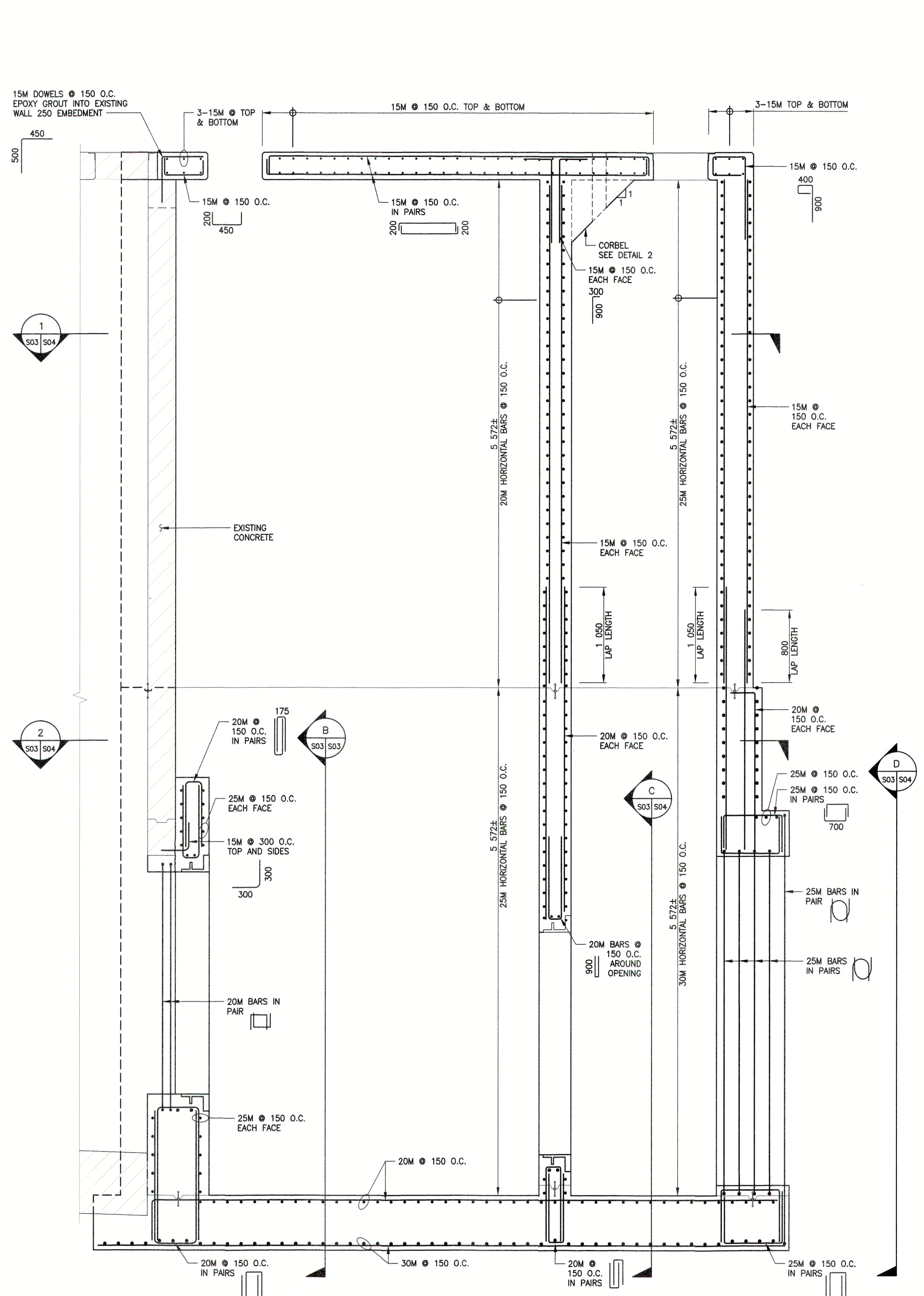


CORBEL DETAIL
1:20

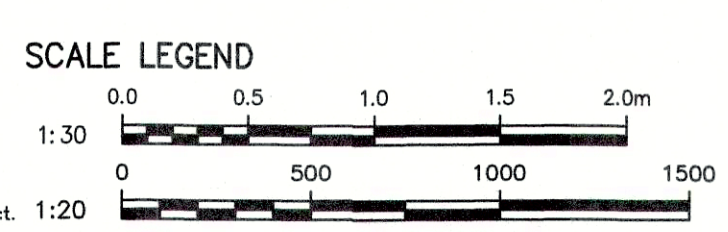


NOTE: WALL, SLAB AND OPENING REINFORCING NOT SHOWN FOR CLARITY

REINFORCING @ EXISTING OPENING AND NEW INTERIOR COLLAR
1:30



SECTION A
1:30



METRIC
WHOLE NUMBERS INDICATE MILLIMETRES
DECIMALIZED NUMBERS INDICATE METRES

ENGINEERS GEOSCIENTISTS MANITOBA
Certificate of Authorization
WSP Canada Group Limited
No. 6657

NO.	REVISIONS	DATE	BY
1	ISSUED FOR TENDER	13/09/2018	BB

DESIGNED BY	BB/MRI	CHECKED BY	AG
DRAWN BY	KD	APPROVED BY	JPL
HOR. SCALE	AS NOTED	RELEASED FOR CONSTRUCTION	Signed by KZ September 14, 2018
VERTICAL SCALE	AS NOTED	DATE	13/09/2018

WSP Canada Group Limited
93 Lombard Avenue, Suite 111
Winnipeg MB R3B 3B1
T+ 1 204-943-3178
F+ 1 204-943-4948
www.wsp.com

PROVINCE OF MANITOBA
REGISTERED PROFESSIONAL ENGINEER
A. GHATEFAR
Member 37456

BID OPPORTUNITY: 865-2018
PLOT DATE: 13/09/2018

THE CITY OF WINNIPEG
WATER AND WASTE DEPARTMENT

OUTFALL GATE CHAMBER UPGRADES
AUBREY STREET
SRS OUTFALL GATE CHAMBER

CONSULTANT DRAWING NUMBER: 5516047 - S03
SHEET 05 OF 33
CITY DRAWING NUMBER: LD-8017

REINFORCING DETAILS (SHEET 1 OF 2)

NOTE: These design documents are prepared solely for the use by the party with whom the design professional has entered into a contract and there are no representations of any kind made by the design professional to any party with whom the design professional has not entered into a contract. 1:20