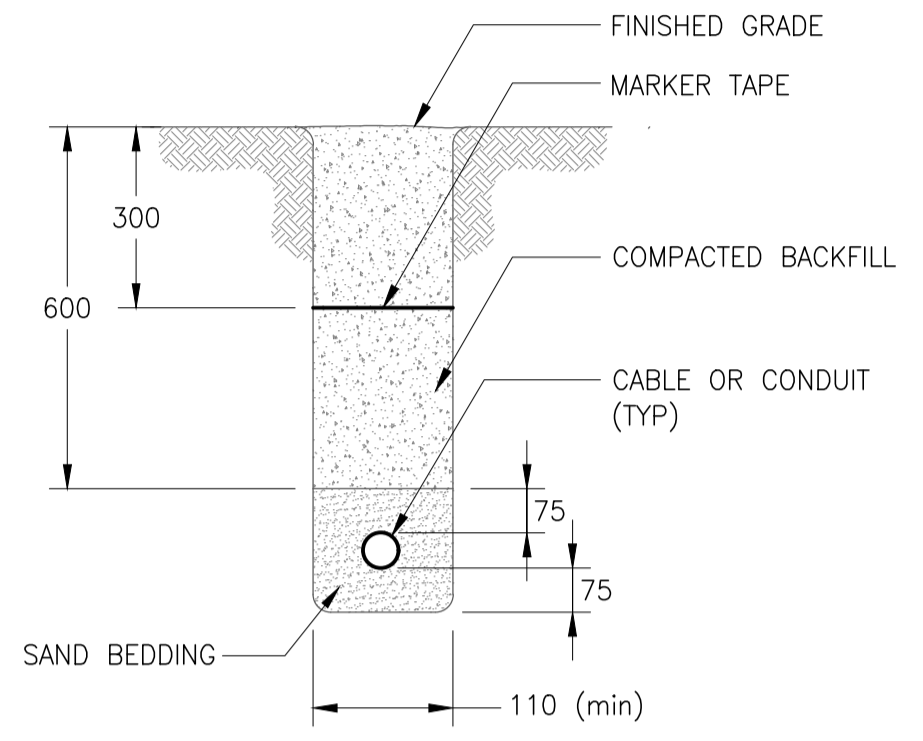
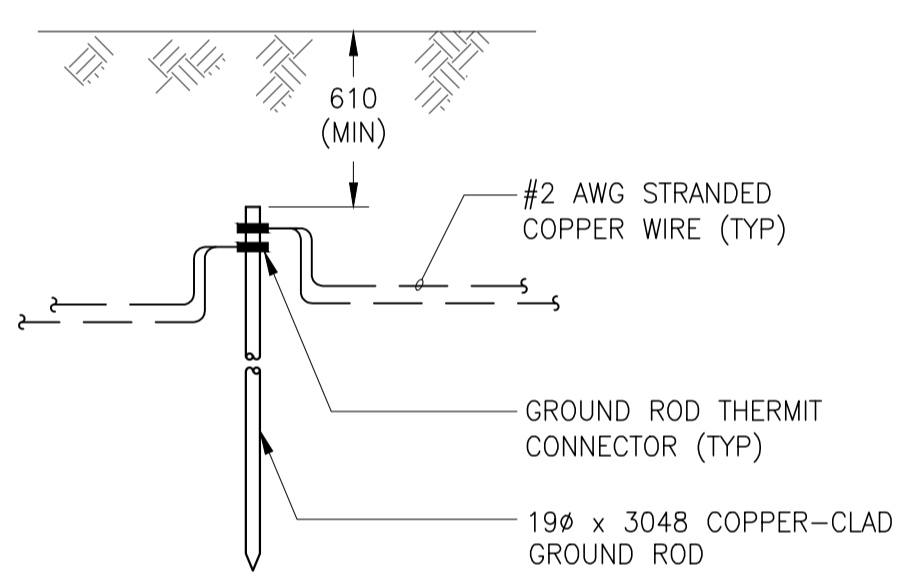


UNDERGROUND CONDUCTORS	
CIRCUIT I.D.	-
YEAR INSTALLED	-
DIAGRAM	-
DETAIL	-
TABLE	-
SIZE/TYPE OF CONDUCTOR	-
AMPACITY	-
MAX. OVERCURRENT	-

A BURIED CABLE LAMACOID LABEL
SCALE: N.T.S. (NOTE 2)



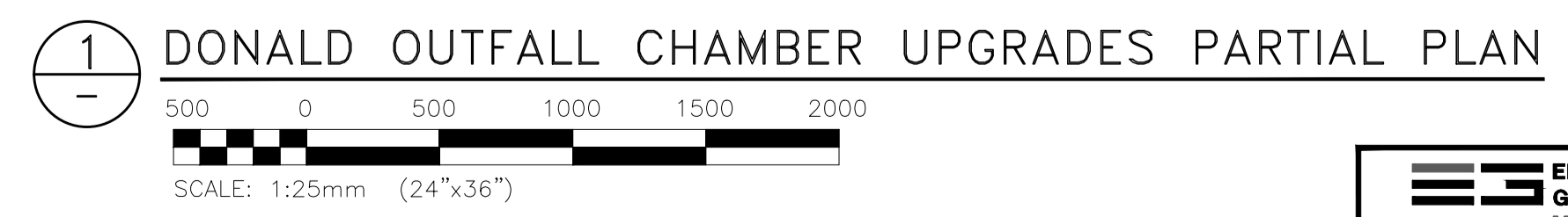
B TYP. CABLE TRENCH DETAIL
SCALE: N.T.S.



C GROUND ROD DETAIL
SCALE: N.T.S.

- NOTES:**
1. GREY ITEMS DENOTES FUTURE PROVISIONS AND ARE NOT PART OF PROJECT SCOPE.
 2. ALL UNDERGROUND CONDUCTOR INSTALLATIONS SHALL BE IDENTIFIED WITH A LABEL INDICATING THE CODE YEAR TO WHICH THE INSTALLATION WAS DESIGNED, INCLUDING THE U/G DETAIL AND TABLE UTILIZED TO ACHIEVE THE RATED AMPACITY OF THE IEEE CALCULATION. MARKING OF EQUIPMENT SERVICED BY UNDERGROUND INSTALLATION OF #1/0 AWG AND LARGER SHALL BE IDENTIFIED WITH A PERMANENTLY SECURED LAMACOID LABEL (MINIMUM SIZE 80x130mm) POSTED ON OR NEAR EACH SERVICE OR OVERCURRENT SUPPLYING EQUIPMENT INDICATING THE ITEMS SHOWN ON LABEL.
 3. ALL GROUND CONDUCTORS SHALL BE #2 AWG BARE STRANDED COPPER.
 4. CONTRACTOR SHALL COORDINATE NEW ELECTRICAL SERVICE AND METER SOCKET WITH MANITOBA HYDRO.
 5. CONTRACTOR SHALL OFFSET NEW PADMOUNT ENCLOSURE 3.0m EAST OF CHAMBER.

- LEGEND:**
- EQUIPMENT
 - GROUND ROD
 - BURIED OR CONCEALED GROUND CONDUCTOR (NOTE 3)
 - CONDUIT SLEEVE
 - THREE PHASE MOTOR



**ENGINEERS
GEOSCIENTISTS
MANITOBA**
Certificate of Authorization
KGS Group
No. 245

FIELD BOOK #:		KGS GROUP CONSULTING ENGINEERS		ENGINEER'S SEAL	
DESIGNED BY	LU	CHECKED BY	JAB		
DRAWN BY	JPL	APPROVED BY	JAB		
HDR. SCALE	AS NOTED	RELEASED FOR CONSTRUCTION	K. ZUREK		
VERTICAL	AS NOTED	DATE	2018 MM DD	E05	
NO. REVISIONS	DATE	BY	DATE	2018 09 11	

THE CITY OF WINNIPEG
WATER AND WASTE DEPARTMENT

DONALD OUTFALL CHAMBER UPGRADES

ELECTRICAL
PARTIAL SITE PLAN
AND DETAILS

SHEET 14 OF 24
CITY DRAWING NUMBER
LD-8646

METRIC
WHOLE NUMBERS INDICATE MILLIMETRES
DECIMALIZED NUMBERS INDICATE METRES