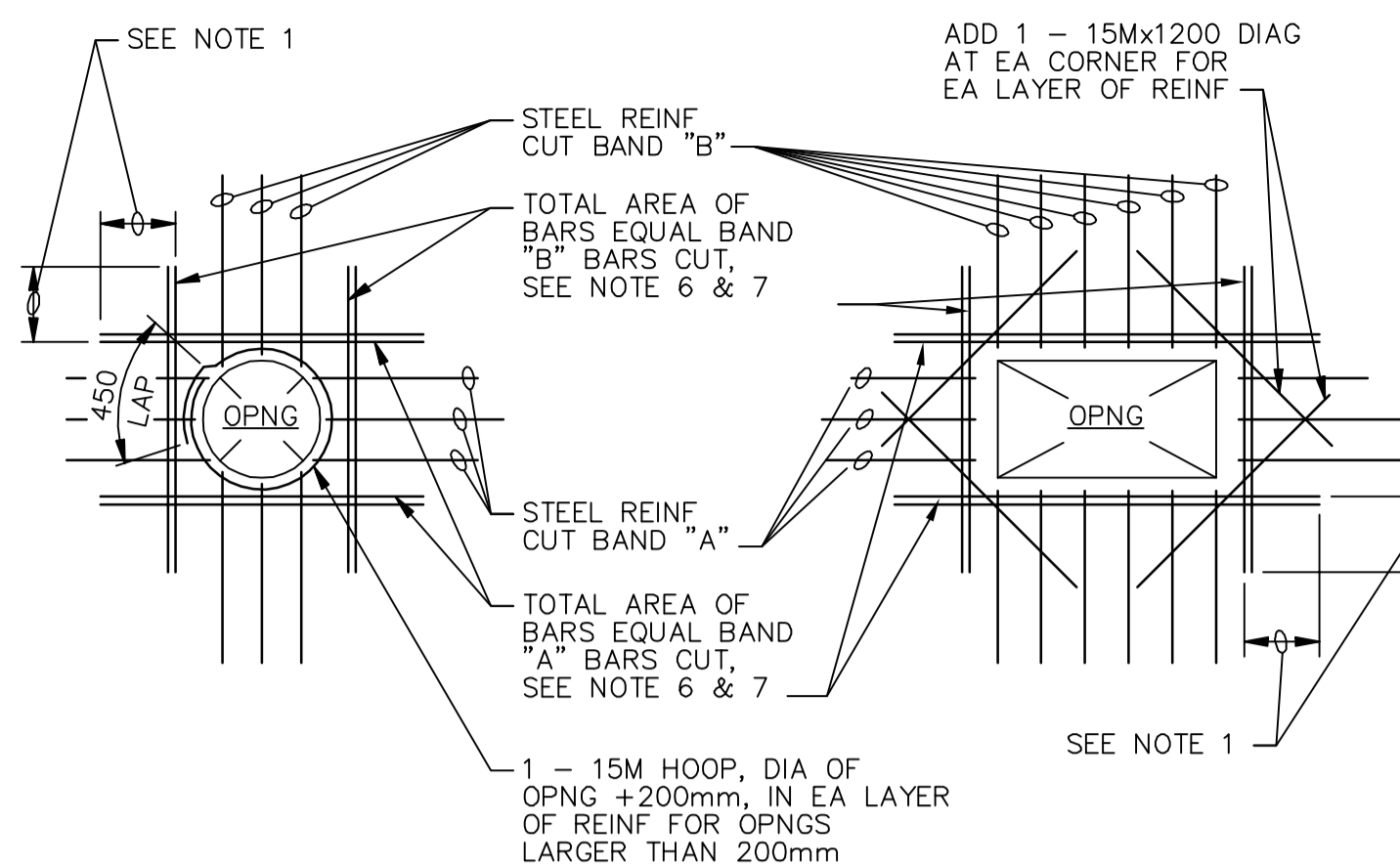


DOUBLE REINFORCING MAT

NOTES:

1. TYPICAL HORIZONTAL WALL CORNER AND INTERSECTION REINFORCING LAYOUT IS SHOWN TO AVOID CONGESTION AND PERMIT PROPER PLACEMENT, FOR SIZE AND SPACING SEE PLANS. ALL HORIZONTAL REINFORCING AT CORNERS AND INTERSECTIONS SHALL BE FABRICATED AND INSTALLED WITH SPLICES LOCATED WHERE SHOWN REGARDLESS OF BAR SIZE AND SPACING.
2. WHERE THE CORNER OR INTERSECTION REINFORCING SIZE AND SPACING IS NOT SHOWN, NOTED OR TABULATED ON THE PLANS, THE SIZE AND SPACING SHALL BE THE SAME AS THE WALL HORIZONTAL REINFORCING SHOWN ON THE WALL SECTIONS OR AS NOTED FOR THE REINFORCING BETWEEN THE CORNERS OR INTERSECTIONS.
3. L = LENGTH OF WALL PARALLEL TO THE BAR LENGTH IN QUESTION.
4. EXCEPT WHERE OTHERWISE SHOWN ON THE DRAWINGS, THE LENGTH INDICATED AS "NOTE 3" SHALL BE THE LESSER OF L/4, 3000mm, OR 1.0 TIMES THE HEIGHT OF THE WALL, EXCEPT THAT IN NO CASE SHALL IT BE LESS THAN 600mm.
5. EXCEPT WHERE OTHERWISE SHOWN ON THE DRAWINGS, THE LENGTH INDICATED AS "NOTE 5" SHALL BE EQUAL TO ONE "LAP LENGTH" AS REQUIRED BY THE GENERAL STRUCTURAL NOTES. USE THE LAP LENGTH AS REQUIRED FOR THE SMALLER OF THE TWO REINFORCING BARS BEING SPLICED.
6. UNLESS OTHERWISE NOTED, "B" AND "C" BARS ARE THE SAME SIZE AND SPACING AND "F" AND "G" BARS ARE THE SAME SIZE AND SPACING.

1 TYPICAL WALL CORNER AND INTERSECTION REINFORCING
- NTS



NOTES:

1. PROVIDE MINIMUM LAP, SEE GENERAL STRUCTURAL NOTES.
2. TYPICAL FOR ALL OPENINGS IN CONCRETE WALLS OF BELOW GRADE AND HYDRAULIC STRUCTURES AND ALL STRUCTURAL CONCRETE SLABS UNLESS INDICATED OTHERWISE ON PLANS.
3. DO NOT WELD REINFORCEMENT TO PIPE SLEEVES AND INSERTS.
4. PROVIDE A MINIMUM OF 2 "A" BARS AND 2 "B" BARS EACH SIDE OF OPENING (1 EACH FACE).
5. FOR OPENINGS LARGER THAN 2400mm, REINFORCE SAME AS FOR 2400mm OPENINGS.
6. SPACE AT 3 BAR DIAMETERS (OR 75mm MINIMUM) ON CENTER. LOCATE HALF OF TOTAL AREA ON EACH SIDE OF OPENING.
7. AT OPENINGS WITHIN 300mm OF AN INTERSECTING WALL OR SLAB, PROVIDE ONLY THE EXTRA REINFORCEMENT WHICH WILL FIT, AT THE BAR SPACING IN NOTE 6.

2 OPENING REINFORCING
- NTS

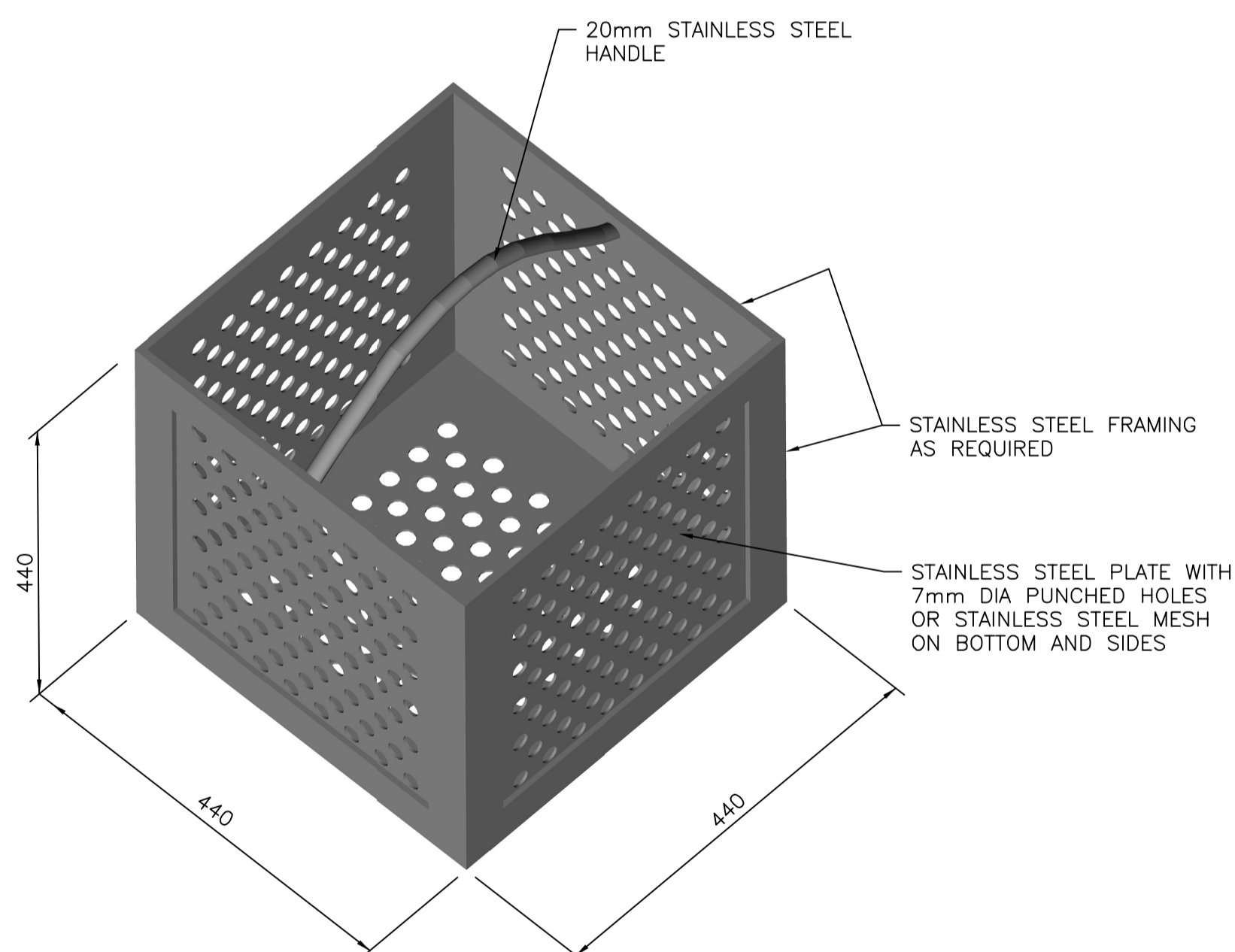
ONLY FOR : 32 MPa CONCRETE , NORMAL WEIGHT
400 MPa REINFORCING BAR

BAR SIZE	TOP BARS (mm)		OTHER BARS (mm)	
	CLASS A	CLASS B	CLASS A	CLASS B
10M	390	500	300	390
15M	550	710	420	550
20M	670	870	520	670
25M	1080	1400	830	1080
30M	1280	1660	990	1280
35M	1530	1990	1180	1530

NOTES:

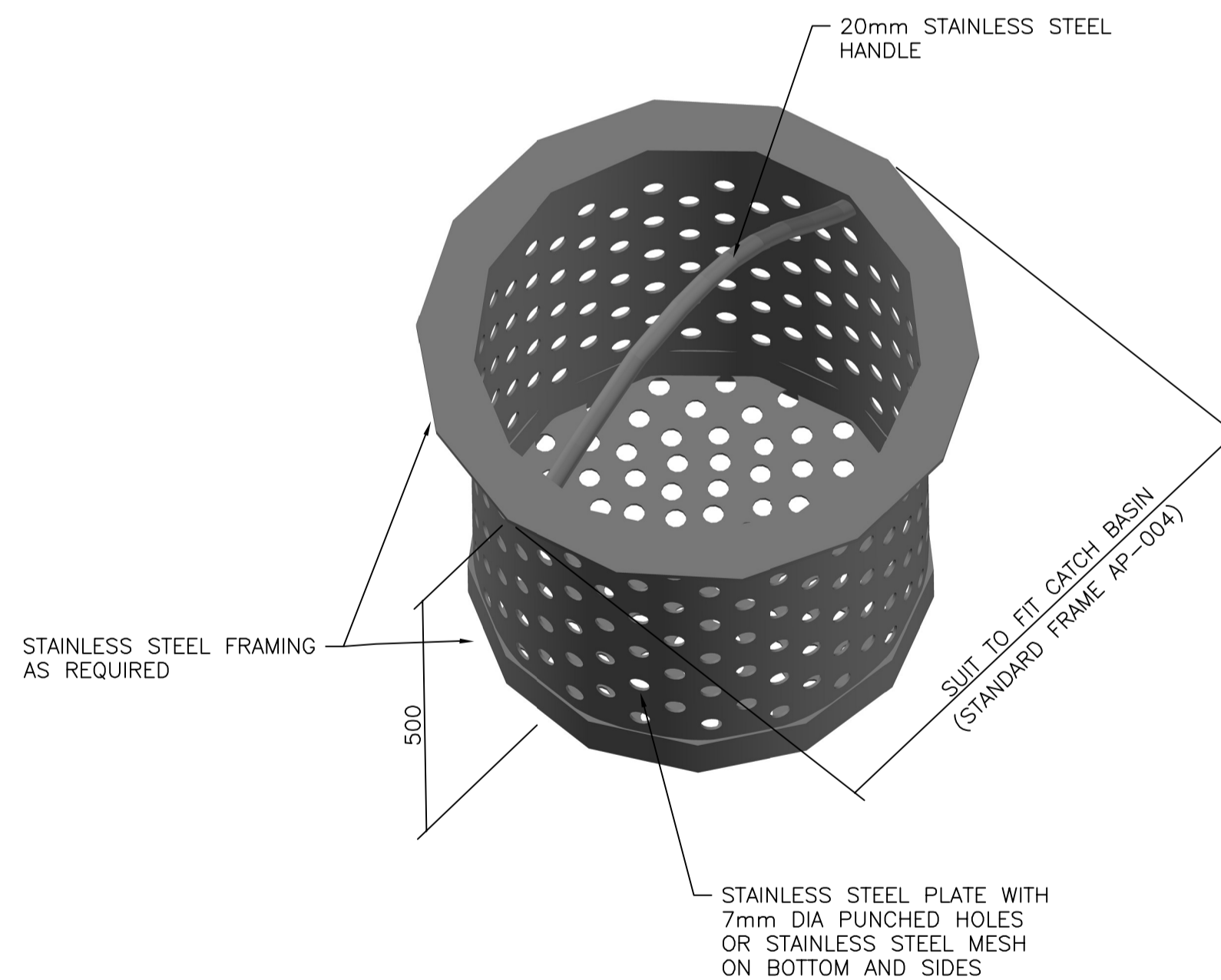
1. TOP BARS ARE:
 - a) ALL BARS IN CONCRETE WITH MORE THAN 300mm CONCRETE BELOW.
 - b) ALL HORIZONTAL BARS IN WALLS.
2. PROVIDE CLASS B LAP UNLESS NOTED OTHERWISE.
3. LAP SPLICE LENGTHS SHOWN IN THE TABLE ARE BASED ON HEAVIER CONFINED BARS.
4. TABLE APPLIES UNLESS SHOWN OTHERWISE.
5. DEVELOPMENT LENGTHS ARE EQUAL TO CLASS A LAP SPLICES.

3 REINFORCING BAR TENSION LAP SPLICE TABLE
- NTS



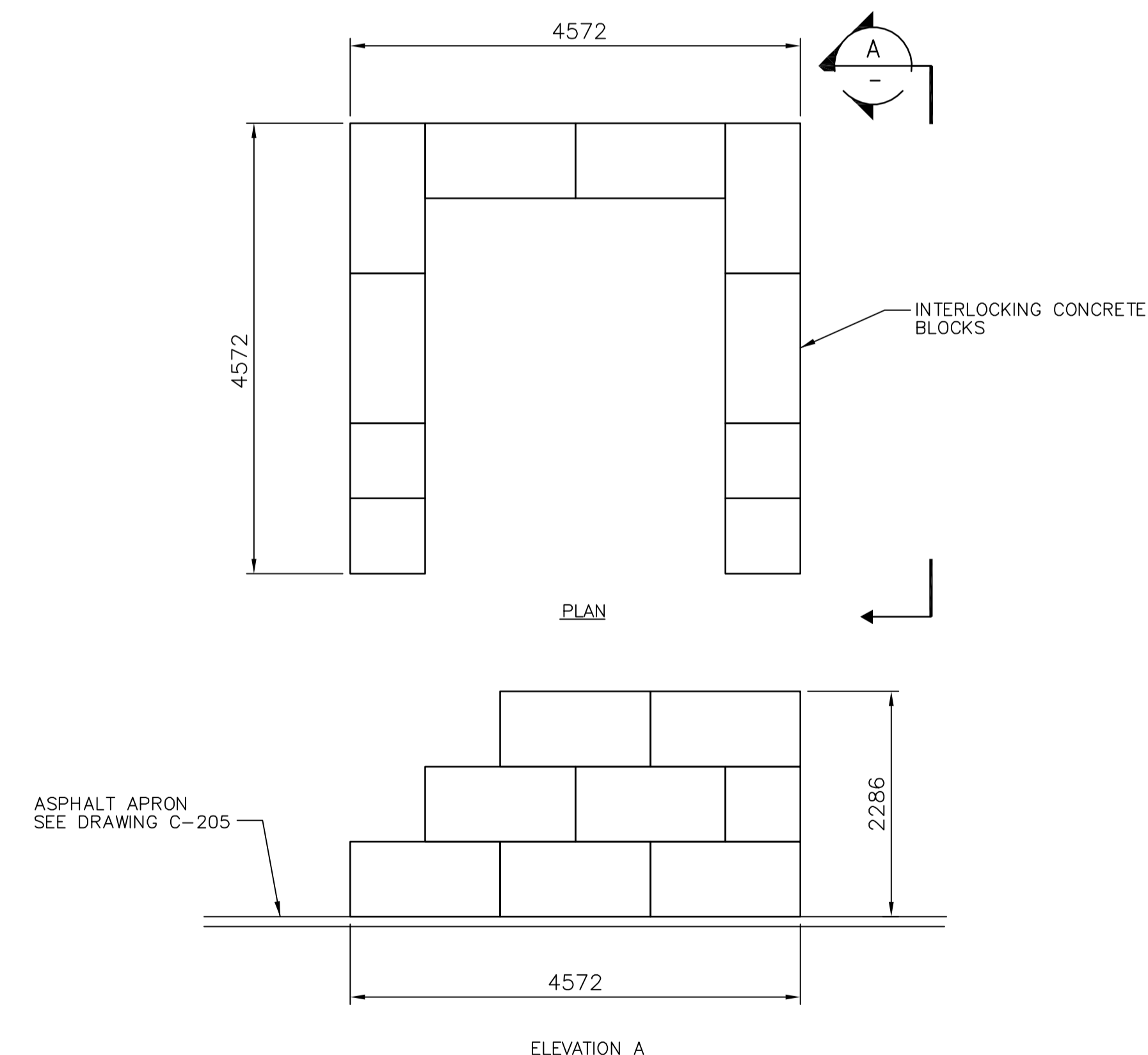
TYPE 2

4 M&R BUILDING SUMP BASKET (SHOP DESIGN & FABRICATE)
- NTS



TYPE 1
(FOR LOCATION REFER TO CIVIL DRAWING C-205)

5 CATCH BASIN BASKET (SHOP DESIGN & FABRICATE)
- NTS



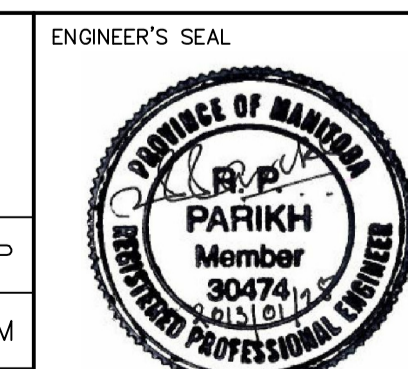
6 MIXED FEED BUNKER CONCRETE BLOCK WALL
- NTS



B.M. ELEV.				
CONSTRUCTION COMPLETION DATE: YYYY MM DD				
DESIGNED BY	KS	CHECKED BY	RP	
DRAWN BY	JK	APPROVED BY	BM	
SCALE: HORIZONTAL AS SHOWN		RELEASED FOR CONSTRUCTION		
VERTICAL AS SHOWN		DATE	2013 01 25	
NO.	ISSUED FOR CONSTRUCTION	DATE	13/01/25	BY JK
	REVISIONS	DATE		BY



ENGINEER'S SEAL	
DESIGNED BY	KS
CHECKED BY	RP
DRAWN BY	JK
APPROVED BY	BM
SCALE: HORIZONTAL AS SHOWN	
VERTICAL AS SHOWN	
RELEASED FOR CONSTRUCTION	
DATE	2013 01 25
DATE	



CONSULTANT DRAWING NUMBER
S-502

THE CITY OF WINNIPEG
WATER AND WASTE DEPARTMENT
ENGINEERING DIVISION

BRADY ROAD RESOURCE MANAGEMENT FACILITY
LEAF AND YARD WASTE AND
PILOT BIOSOLIDS COMPOSTING
STRUCTURAL
STANDARD DETAILS SHEET 2 OF 2

SHEET 25 OF 45
CITY DRAWING NUMBER
1-0400B-S0009-002-00