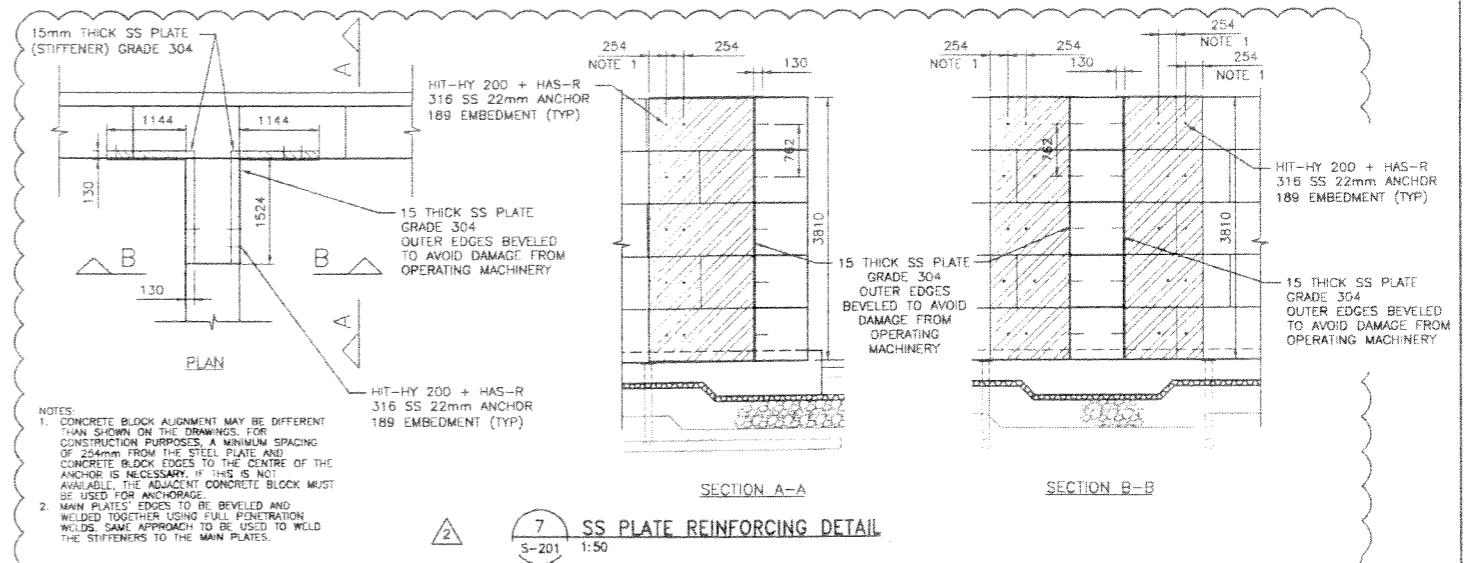
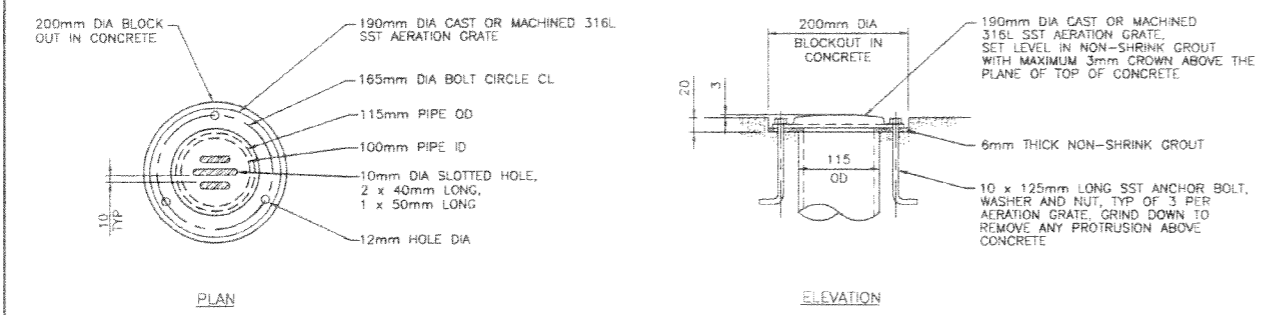
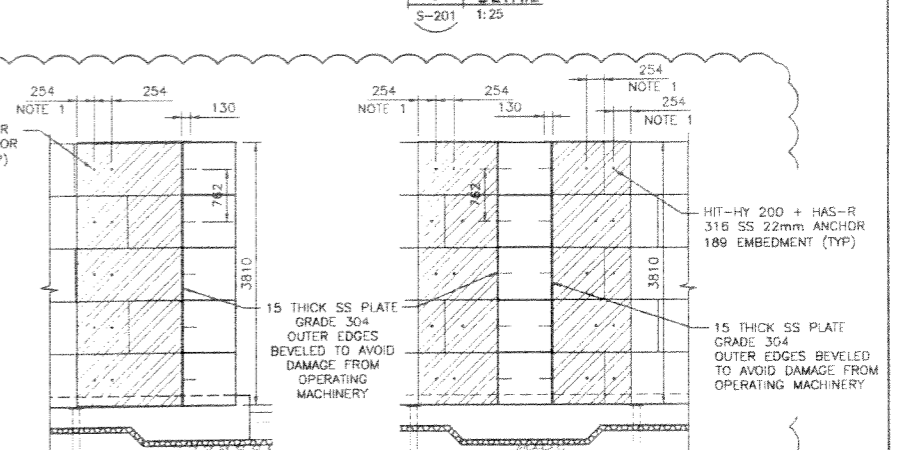
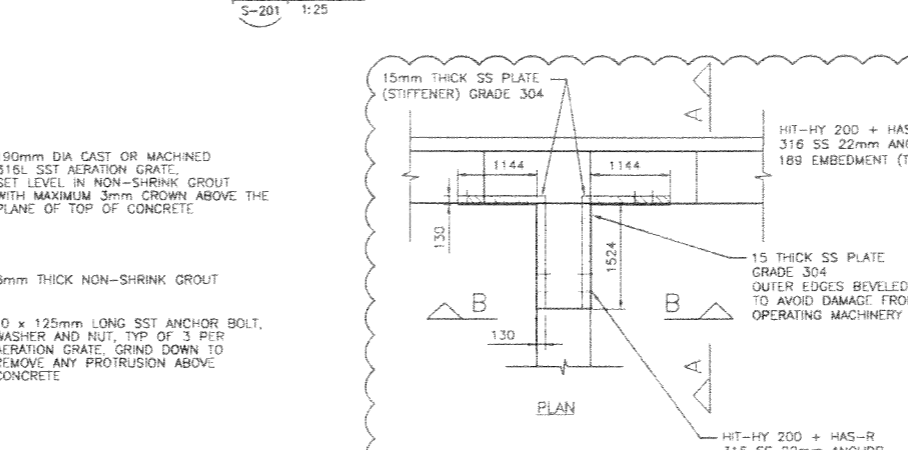
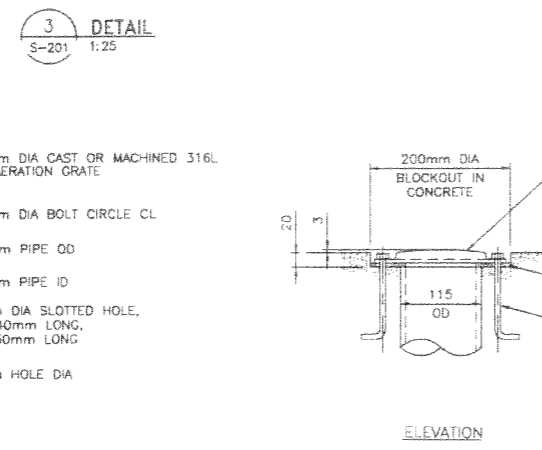
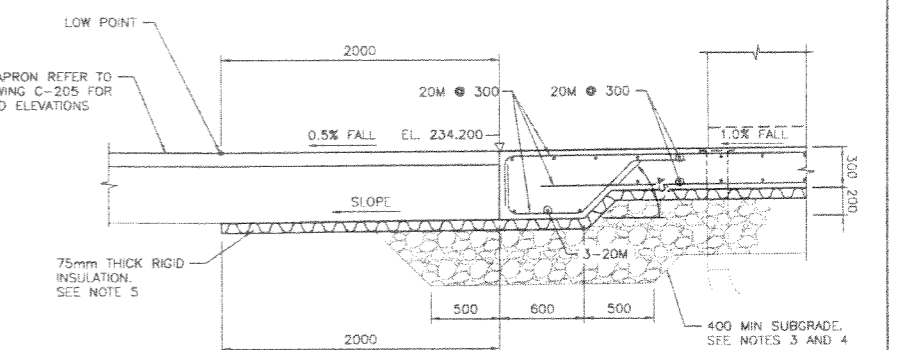
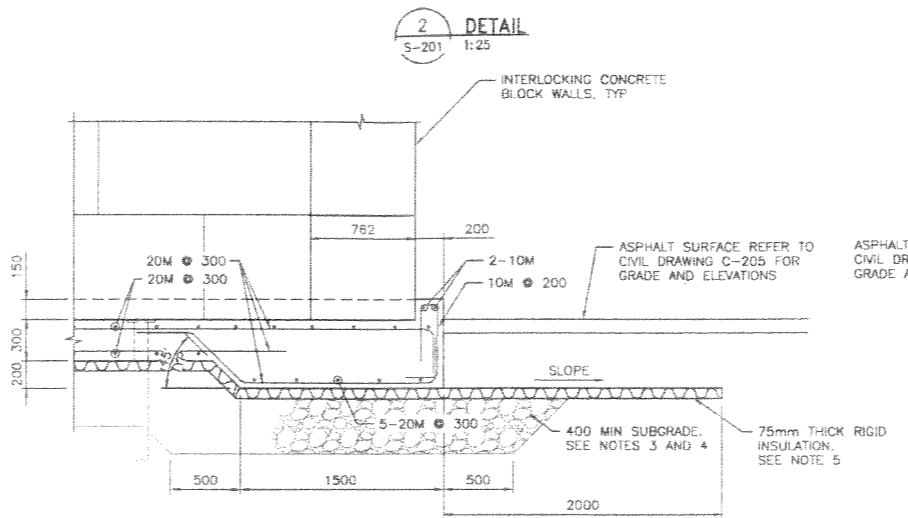
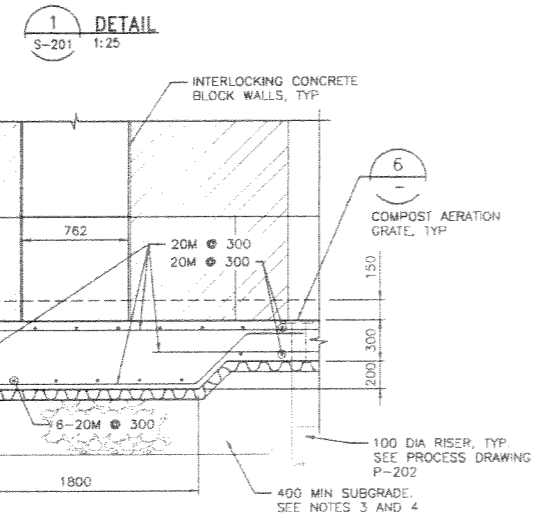
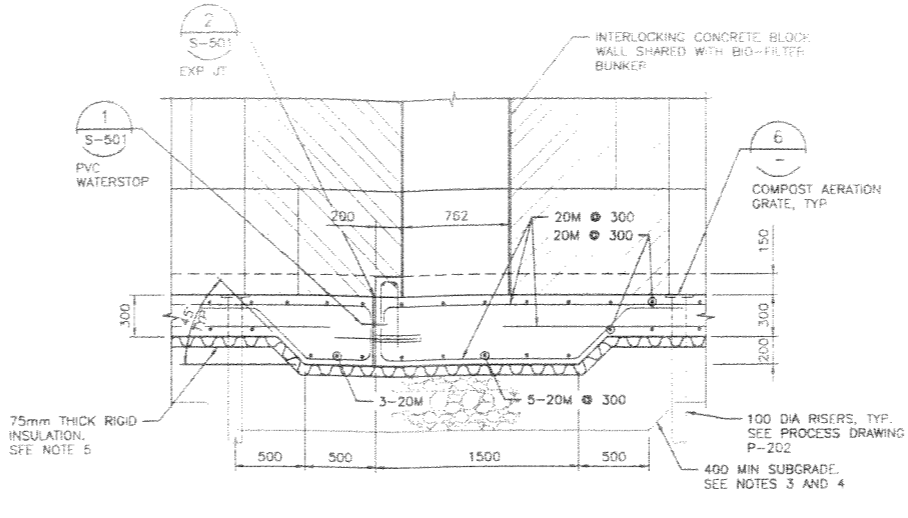
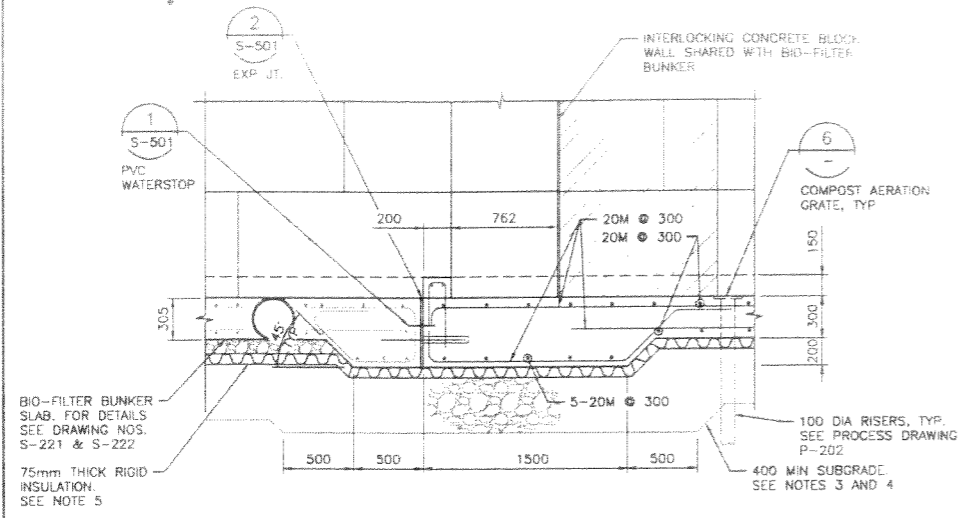


- NOTES:**
1. ALL DIMENSIONS ARE IN MILLIMETRES UNLESS NOTED OTHERWISE.
  2. REFER TO DRAWING NO. S-501 FOR GENERAL NOTES.
  3. FOUNDATIONS SUBGRADE TO BE A MINIMUM OF 400mm THICK CRUSHED LIMESTONE (300mm OF 50mm UNDERLYING 100mm OF 19mm) COMPACTED TO 98% SPMDD OVERLYING 98% SPMDD COMPACTED CLAY MAXIMUM LIFTS OF 150mm.
  4. PROVIDE SUBGRADE BEARING CAPACITY OF 60 kPa (SLS) AND 120 kPa (ULS). CONTRACTOR ADMINISTRATOR TO CONFIRM PRIOR TO POURING FOUNDATION.
  5. PROVIDE 75mm INSULATION UNDER ALL CONCRETE SLABS AND AROUND PERIMETER OF THICKENED EDGE AND AWAY FROM FOOTING 2000mm. PROVIDE SLIGHT SLOPE IN INSULATION TO AVOID PONDING OF WATER.
  6. PROVIDE 50mm CLEAR COVER TO REINFORCEMENT.



**6 ASP AERATION GRATE DETAIL**  
S-201 1:5  
P-301

**7 SS PLATE REINFORCING DETAIL**  
S-201 1:50

	B.M. ELLV		ENGINEER'S SEAL ORIGINAL SIGNED BY R.P. PARIKH 13/01/25		THE CITY OF WINNIPEG WATER AND WASTE DEPARTMENT ENGINEERING DIVISION															
	DESIGNED BY: KS CHECKED BY: RP DRAWN BY: JK APPROVED BY: BM		CONSULTANT DRAWING NUMBER S-202		BRADY ROAD RESOURCE MANAGEMENT FACILITY LEAF AND YARD WASTE AND PILOT BIOSOLIDS COMPOSTING STRUCTURAL ASP BUNKERS SECTIONS & DETAILS	SHEET 18 OF 45 CITY DRAWING NUMBER 1-0400B-50003-001-02														
FOR REV 2 MODIFICATIONS ONLY	<table border="1"> <thead> <tr> <th>NO.</th> <th>REVISIONS</th> <th>DATE</th> <th>BY</th> </tr> </thead> <tbody> <tr> <td>2</td> <td>ISSUED FOR CONSTRUCTION REV 2</td> <td>18/05/02</td> <td>JBC</td> </tr> <tr> <td>1</td> <td>ISSUED FOR CONSTRUCTION REV 1</td> <td>14/09/05</td> <td>JBC</td> </tr> <tr> <td>0</td> <td>ISSUED FOR CONSTRUCTION</td> <td>13/01/25</td> <td>JK</td> </tr> </tbody> </table>	NO.	REVISIONS	DATE	BY	2	ISSUED FOR CONSTRUCTION REV 2	18/05/02	JBC	1	ISSUED FOR CONSTRUCTION REV 1	14/09/05	JBC	0	ISSUED FOR CONSTRUCTION	13/01/25	JK	SCALE: HORIZONTAL AS SHOWN VERTICAL AS SHOWN DATE: 2013 01 25 PLOT DATE: 2018 05 02	RELEASED FOR CONSTRUCTION DATE:	FILE PATH: C:\pwworking\ch2mhill_sbcg\barlex1\09198700\1-0400B-50003-001-02.dwg FILE NAME: S-202_438634.dwg
NO.	REVISIONS	DATE	BY																	
2	ISSUED FOR CONSTRUCTION REV 2	18/05/02	JBC																	
1	ISSUED FOR CONSTRUCTION REV 1	14/09/05	JBC																	
0	ISSUED FOR CONSTRUCTION	13/01/25	JK																	