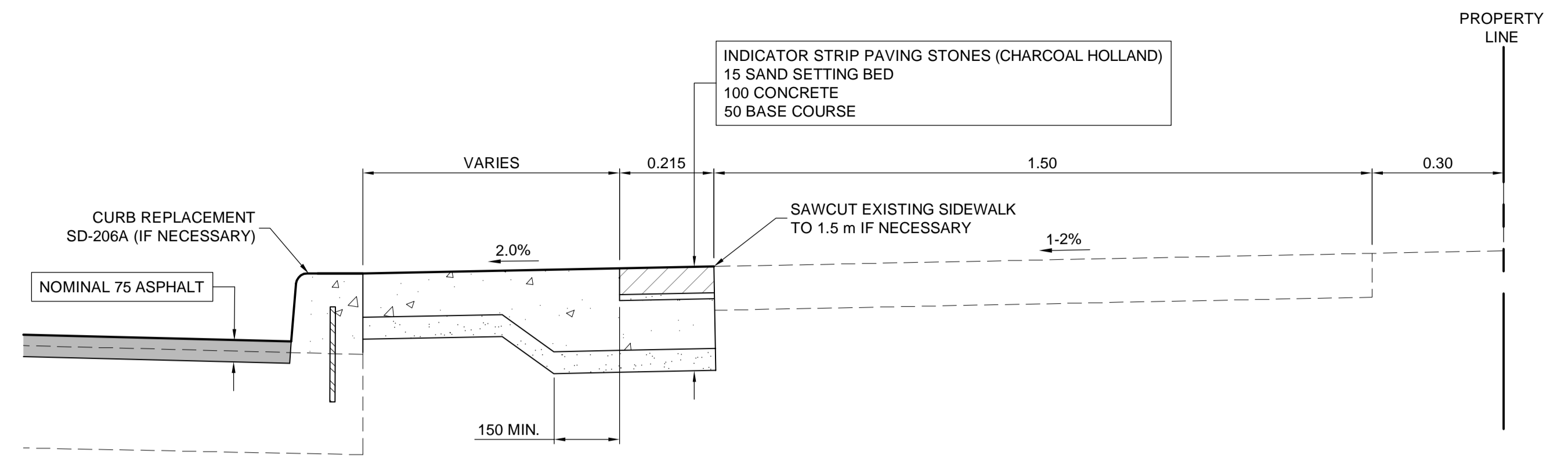
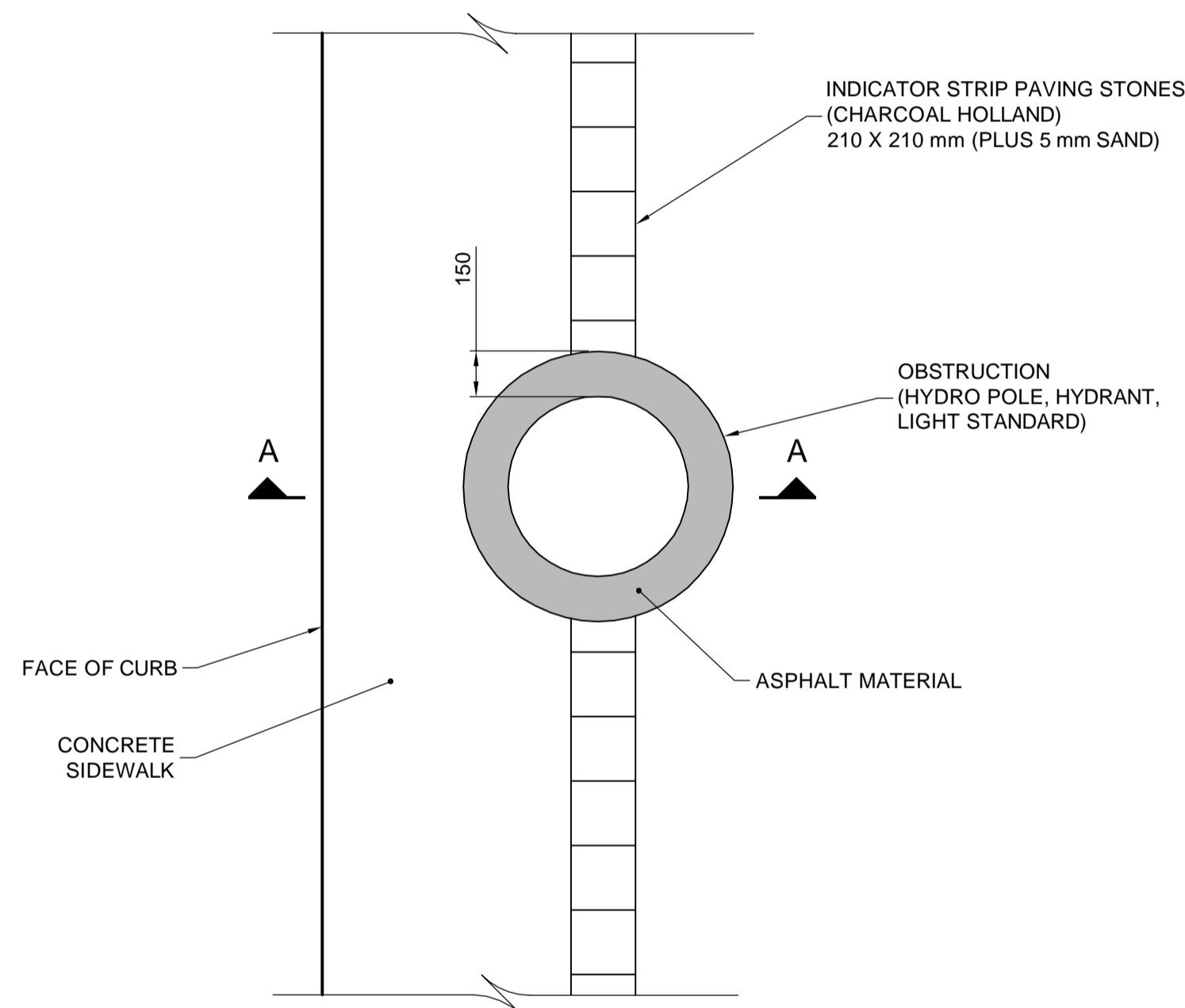


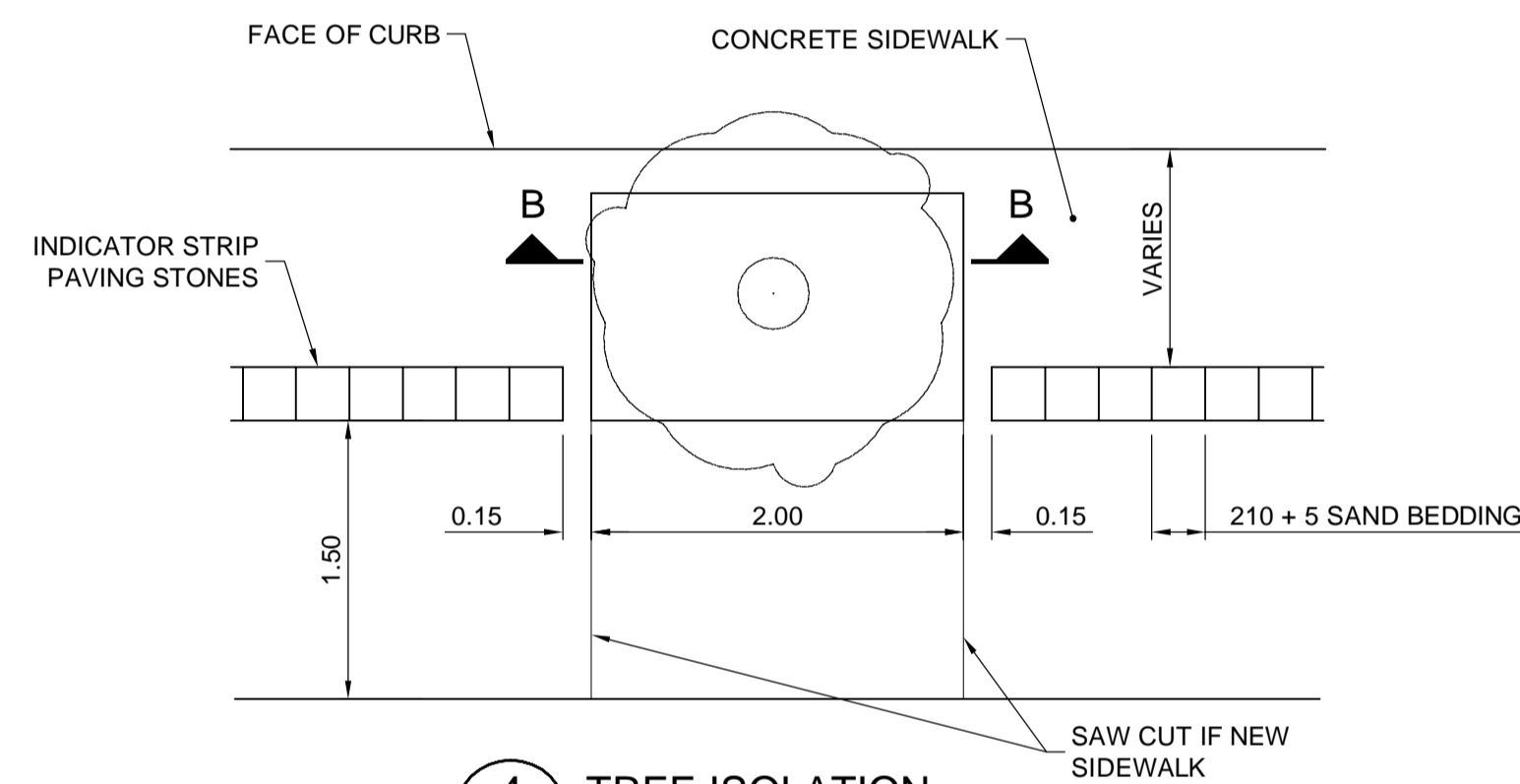
1 INDICATOR STRIP PAVING STONES WITH NEW SIDEWALK
SCALE: 1:10



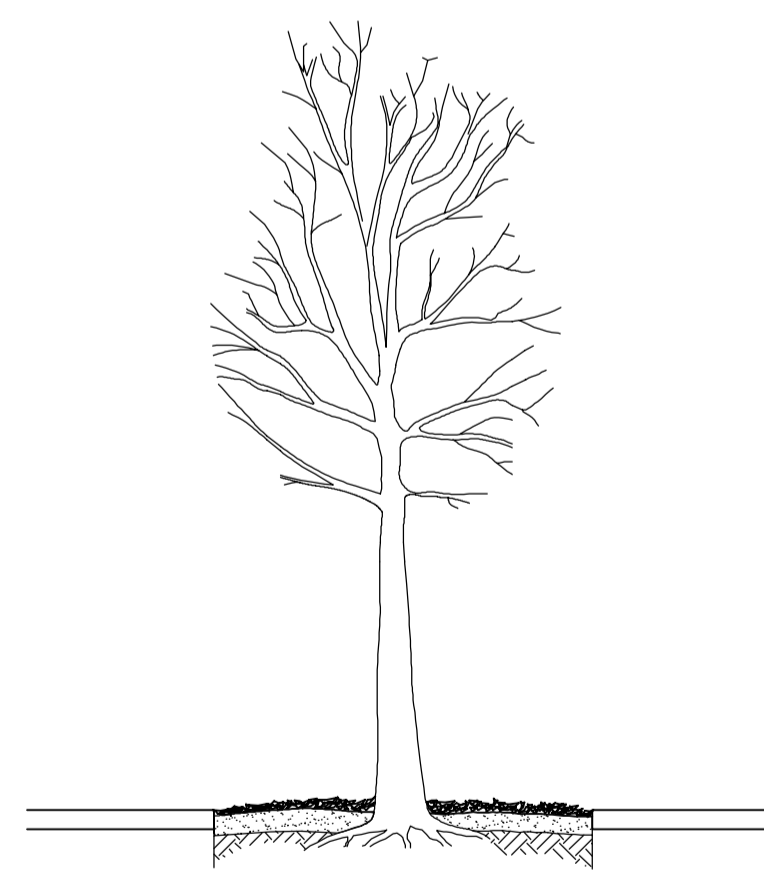
2 INDICATOR STRIP PAVING STONES
SCALE: 1:10



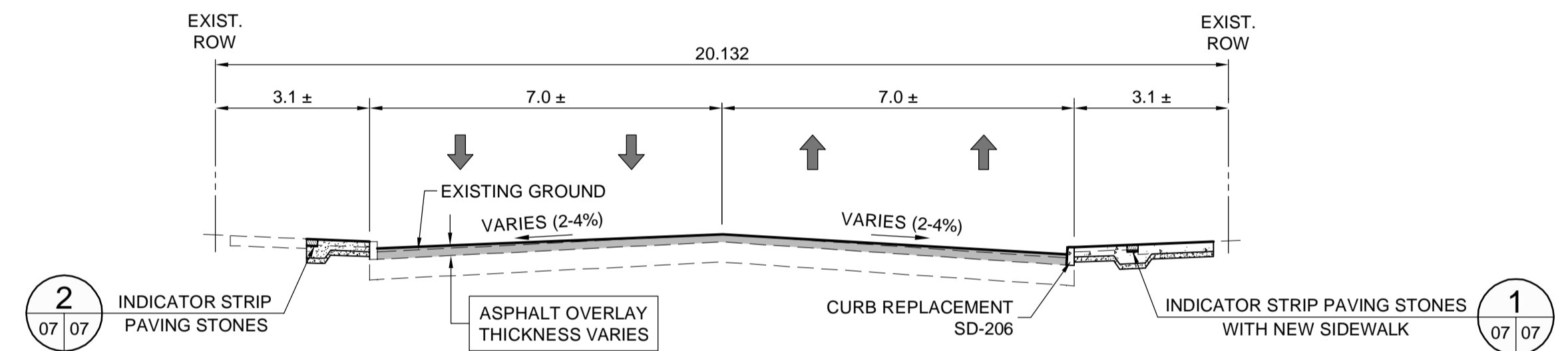
3 ISOLATION IN INDICATOR STRIP
SCALE: 1:20



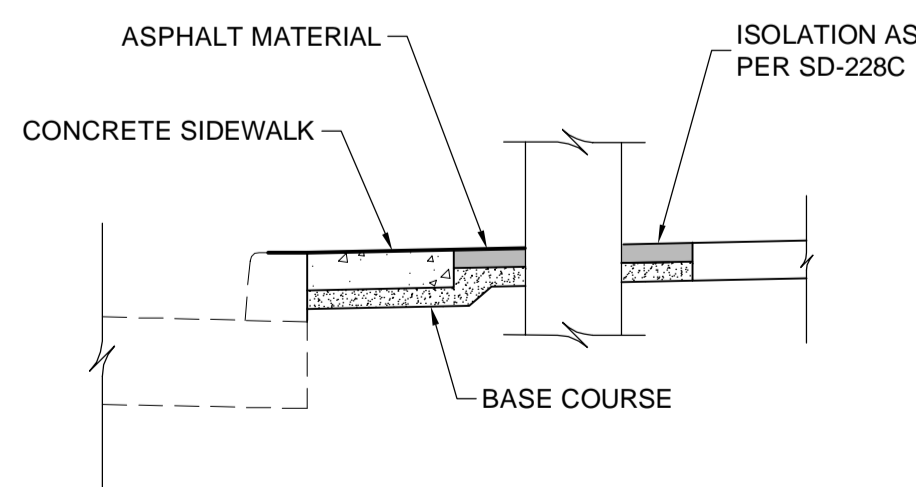
4 TREE ISOLATION
SCALE: 1:40



TREE ISOLATION - SECTION B-B
SCALE: 1:40



TYPICAL SECTION
SCALE: H: 1:100, V: 1:50



ISOLATION IN INDICATOR STRIP - SECTION A-A
SCALE: 1:20



UNDERGROUND STRUCTURES	B.M. ELEV.	DESIGNED BY	TJH		ENGINEER'S SEAL		THE CITY OF WINNIPEG PUBLIC WORKS DEPARTMENT			
SUPV. U/G STRUCTURES	DATE	DRAWN BY	TJH					ELLICE AVENUE REHABILITATION ARLINGTON STREET TO MARYLAND STREET	CITY DRAWING NUMBER	P-3505-2018-07
LOCATION OF UNDERGROUND STRUCTURES AS SHOWN ARE BASED ON THE BEST INFORMATION AVAILABLE, BUT NO GUARANTEE IS GIVEN THAT ALL EXISTING UTILITIES ARE SHOWN OR THAT THE GIVEN LOCATIONS ARE EXACT. CONFIRMATION OF EXISTENCE AND EXACT LOCATION OF ALL SERVICES MUST BE OBTAINED FROM THE INDIVIDUAL UTILITIES BEFORE PROCEEDING WITH CONSTRUCTION.		CHECKED BY	TS						SHEET 07 OF 09	
		APPROVED BY	TJP							CONSULTANT DRAWING NUMBER
		HOR. SCALE	AS NOTED	RELEASED FOR CONSTRUCTION		DATE	DETAILS			
		VERTICAL	AS NOTED							
		0 ISSUED FOR TENDER	19/02/04	TJP						
		NO. REVISIONS	DATE	BY	DATE					

C:\projects\working_directory\projects_2018\403jh\dms24490\187677-CON-CI-DETAILS.dwg