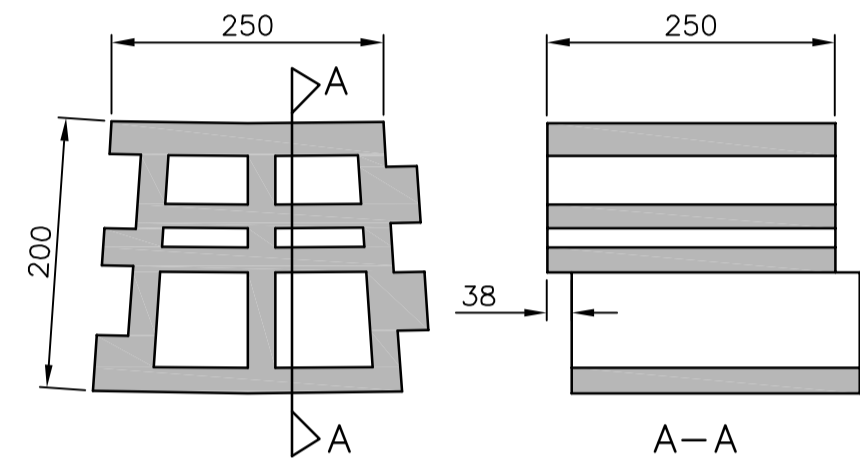


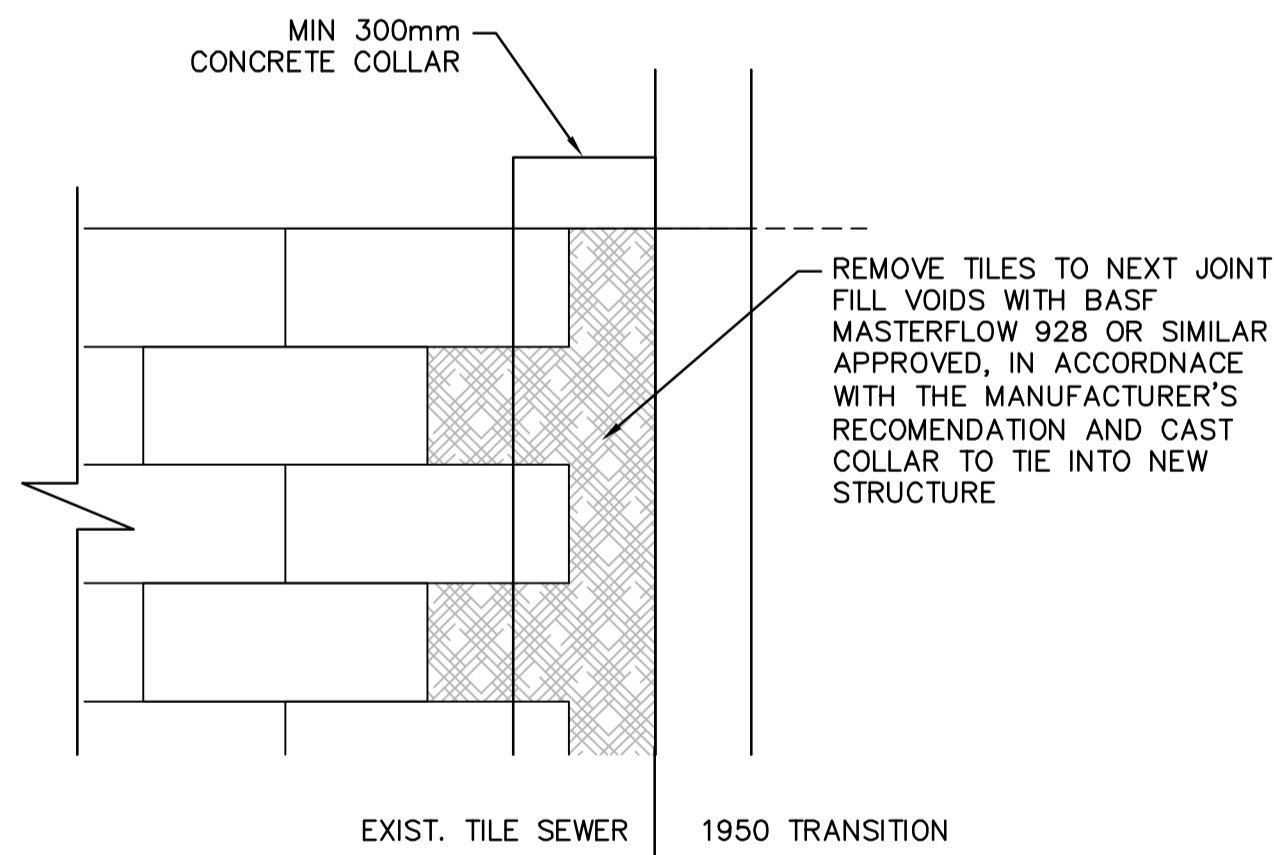
CROSS SECTION OF SEGMENTAL TILE SEWER 1950 ID



TILE SEGMENT

NOTE: DIMENSIONS TO BE CONFIRMED IN FIELD

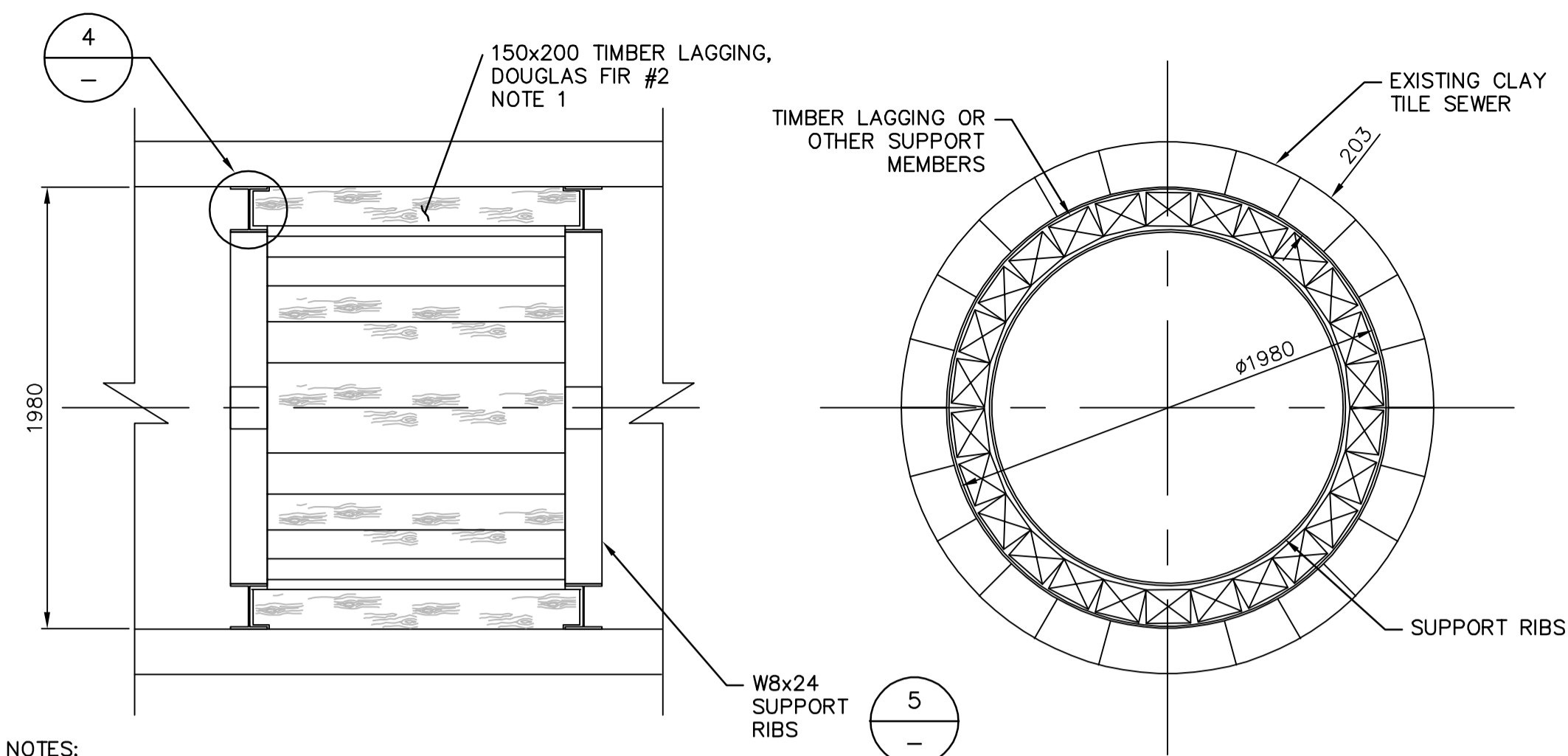
1 TILE SEGMENT DETAIL  
NTS



6 DETAIL  
NTS



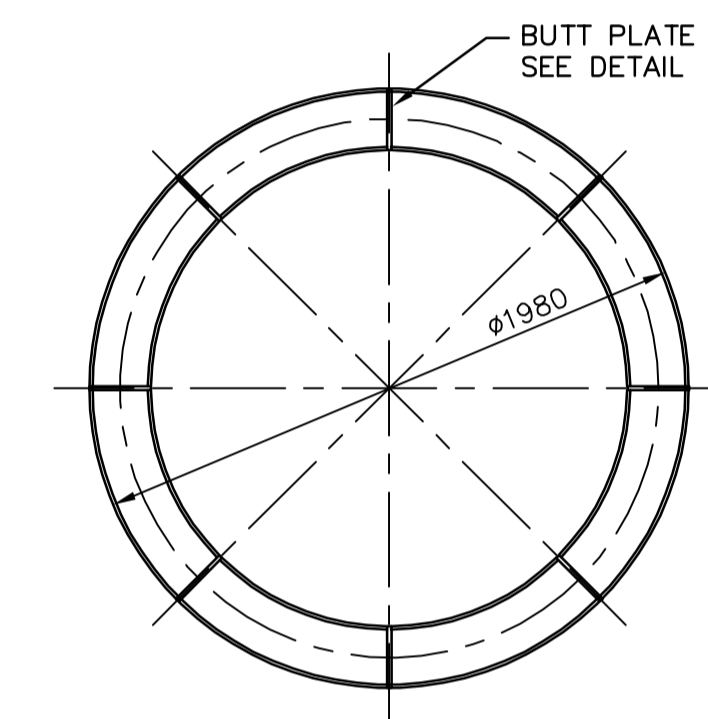
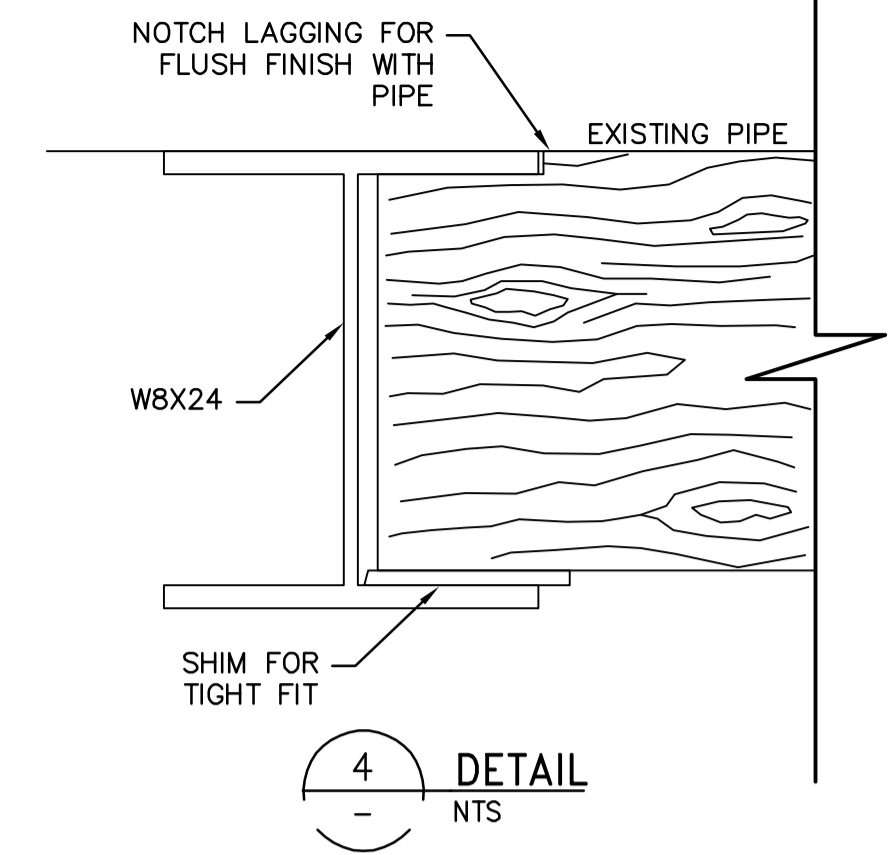
2 EXISTING CCTV INSPECTION  
NTS



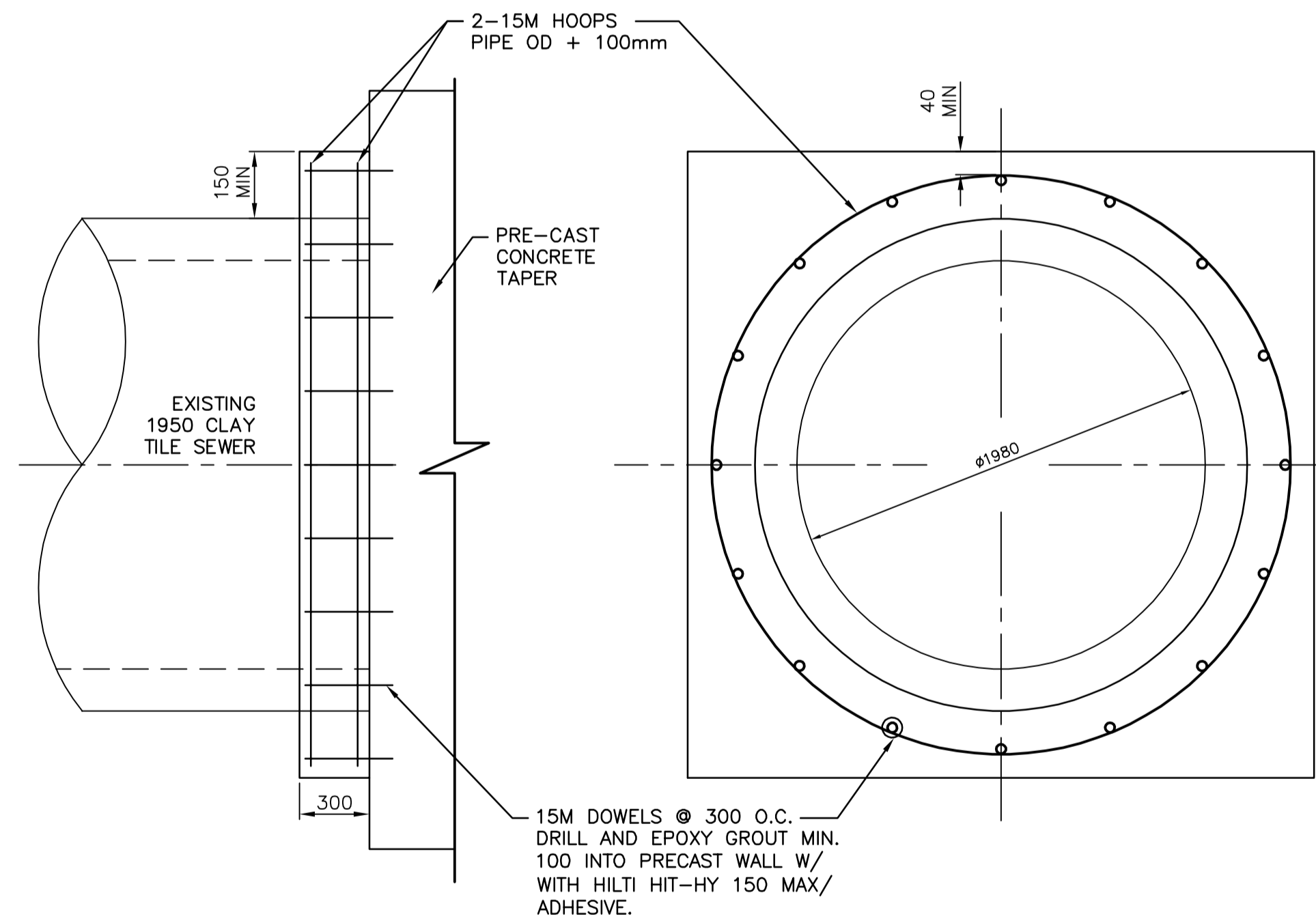
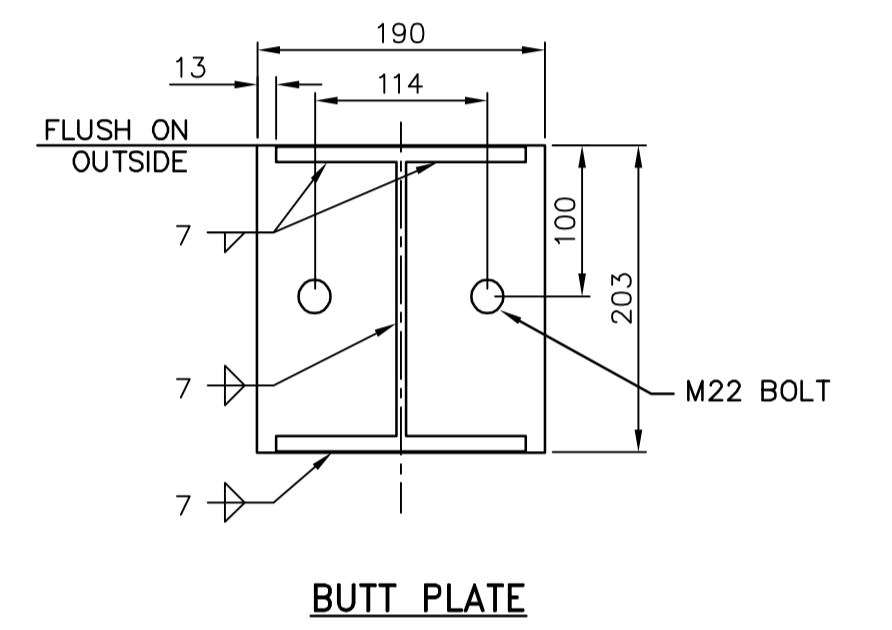
NOTES:

- ENSURE LAGGING FITS TIGHT AGAINST WALL OF EXISTING SEWER. PROVIDE SHIMS AS REQUIRED TO ACCOUNT FOR IRREGULARITIES IN THE EXISTING PIPE OR THE TIMBER LAGGING.

3 CLAY TILE SUPPORT DETAIL  
1:50



5 8 PIECE RING OF W8x24  
NTS



7 TYPICAL COLLAR DETAIL  
NTS

**APEGN**  
Certificate of Authorization  
CH2M HILL Canada Ltd.  
No. 1441

B.M. ELEV.		<b>KGS GROUP</b> CONSULTING ENGINEERS	<b>ch2m</b>	ENGINEER'S SEAL	 THE CITY OF WINNIPEG WATER AND WASTE DEPARTMENT	SHEET OF 5 OF 5
DESIGNED BY	MD	CHECKED BY	ES	ORIGINAL SIGNED BY M.R. DRAPER DATED 8/3/2018		PROJECT TITLE COCKBURN AND CALROSSIE COMBINED SEWER RELIEF WORKS - CONTRACT 5A
DRAWN BY	JBC	APPROVED BY	RH	RELEASED FOR CONSTRUCTION: SC	<b>STRUCTURAL</b> MODIFICATION OF EXISTING 1950 SEWER SHEET 2 OF 2	CITY DRAWING NUMBER LD-8593
NO. REVISIONS	DATE	BY	DATE	DATE 08/07/2018		CONSULTANT DRAWING NO. S-506