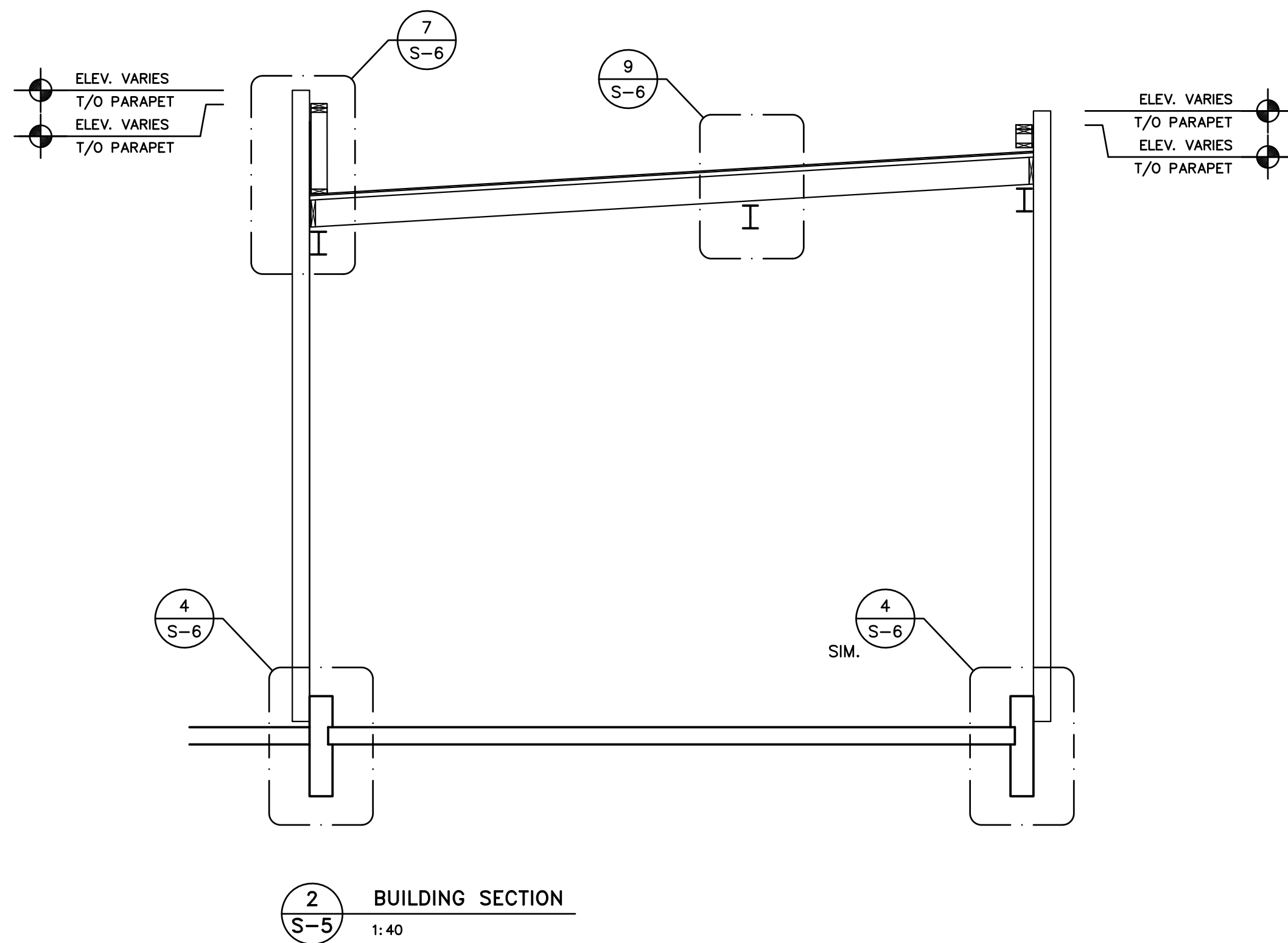
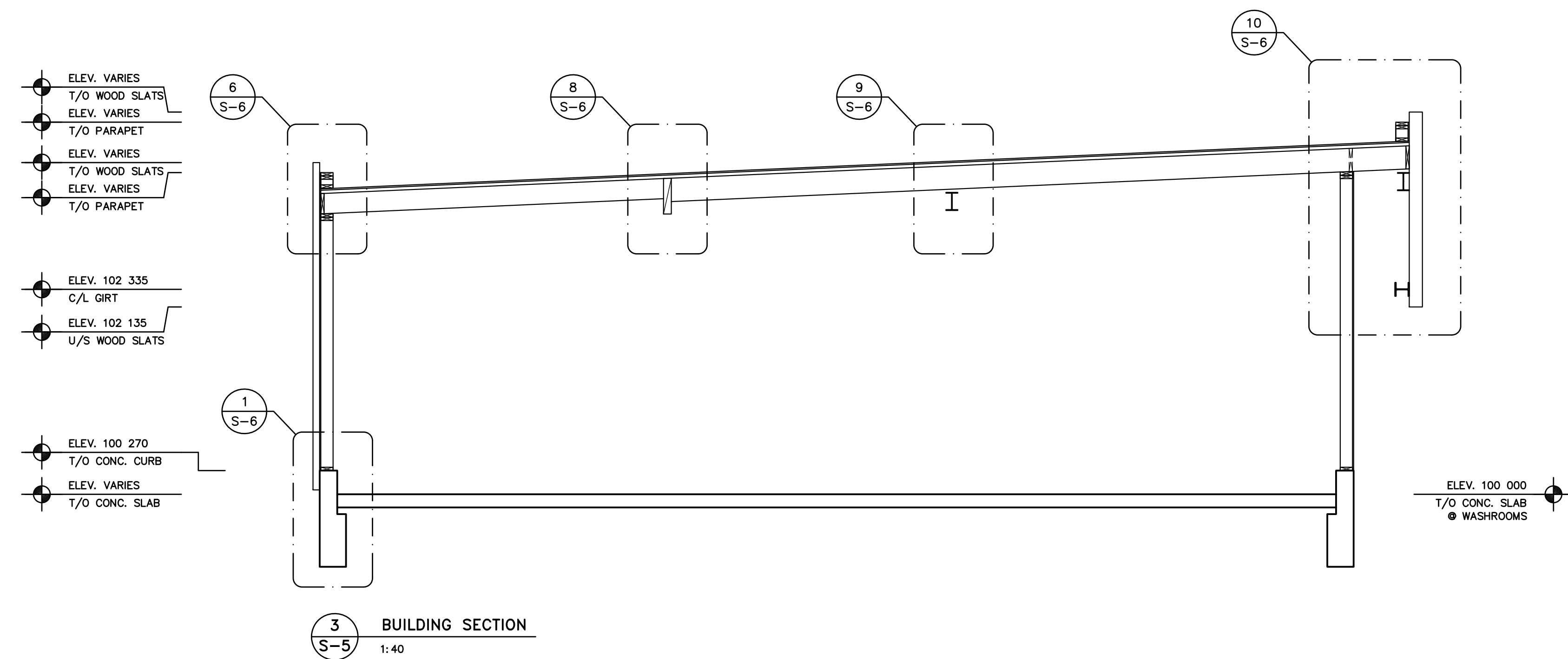


1 BUILDING SECTION  
S-5 1:40



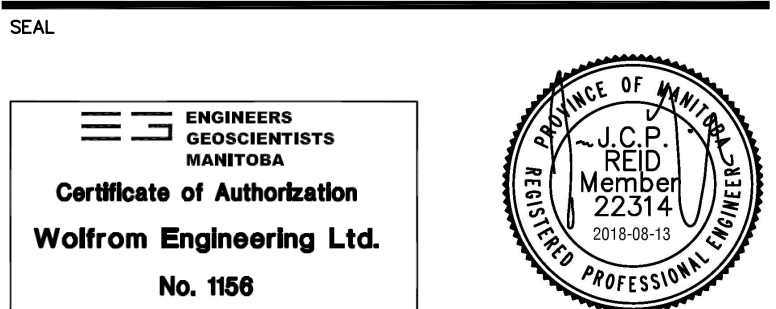
2 BUILDING SECTION  
S-5 1:40



3 BUILDING SECTION  
S-5 1:40

|     |                         |            |     |
|-----|-------------------------|------------|-----|
| 0   | ISSUED FOR CONSTRUCTION | 2018.07.27 | JCR |
| No. | REVISION                | DATE       | BY  |

**WOLFROM ENGINEERING LTD**  
CONSULTING ENGINEERS  
3445 WARDLAW AVENUE  
WINNIPEG, CANADA R3L 0L5  
(204)452-0041 FAX: 284-8680  
E-Mail: info@wolfromeng.com



JOB TITLE  
**CRESCENT DRIVE  
PARK PAVILION**  
WINNIPEG, MB.

DRAWING TITLE  
**BUILDING SECTIONS**

|                    |                       |                           |
|--------------------|-----------------------|---------------------------|
| DRAWN BY<br>AVP    | SCALE<br>AS NOTED     | DRAWING NO.<br><b>S-5</b> |
| FILE NO.<br>W15085 | DATE<br>JULY 27, 2018 | REVISION NO. 0            |