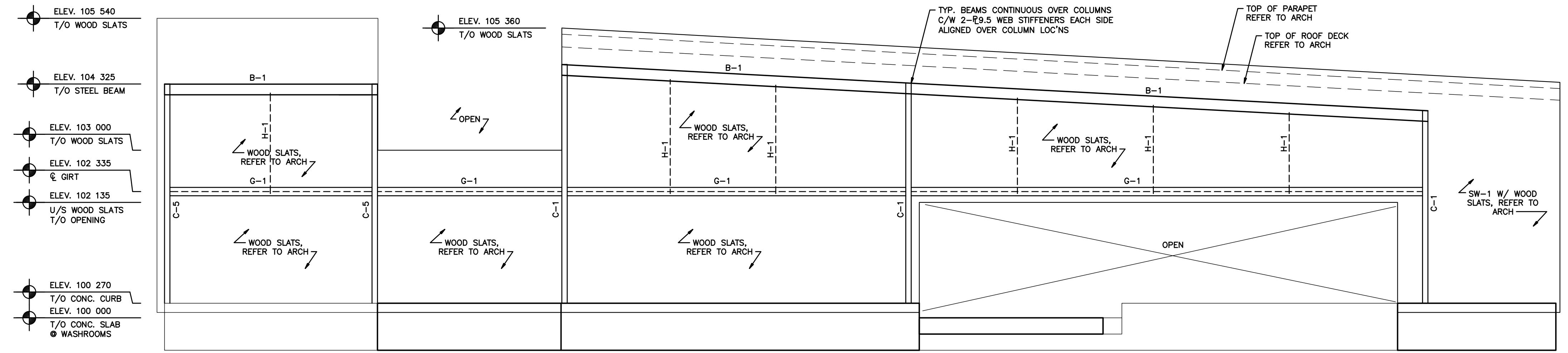


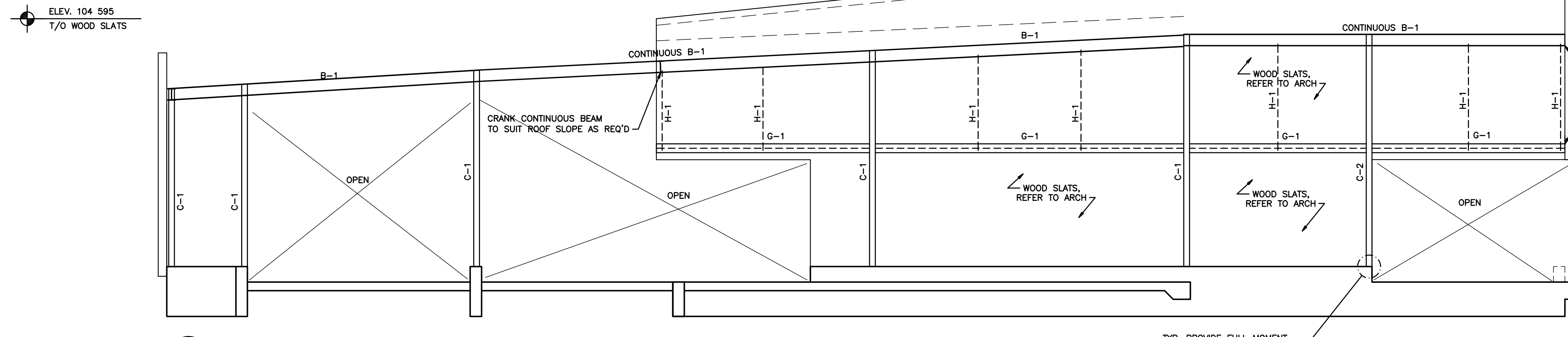
1 ELEVATION: GRID 'A'
S-4 1:50



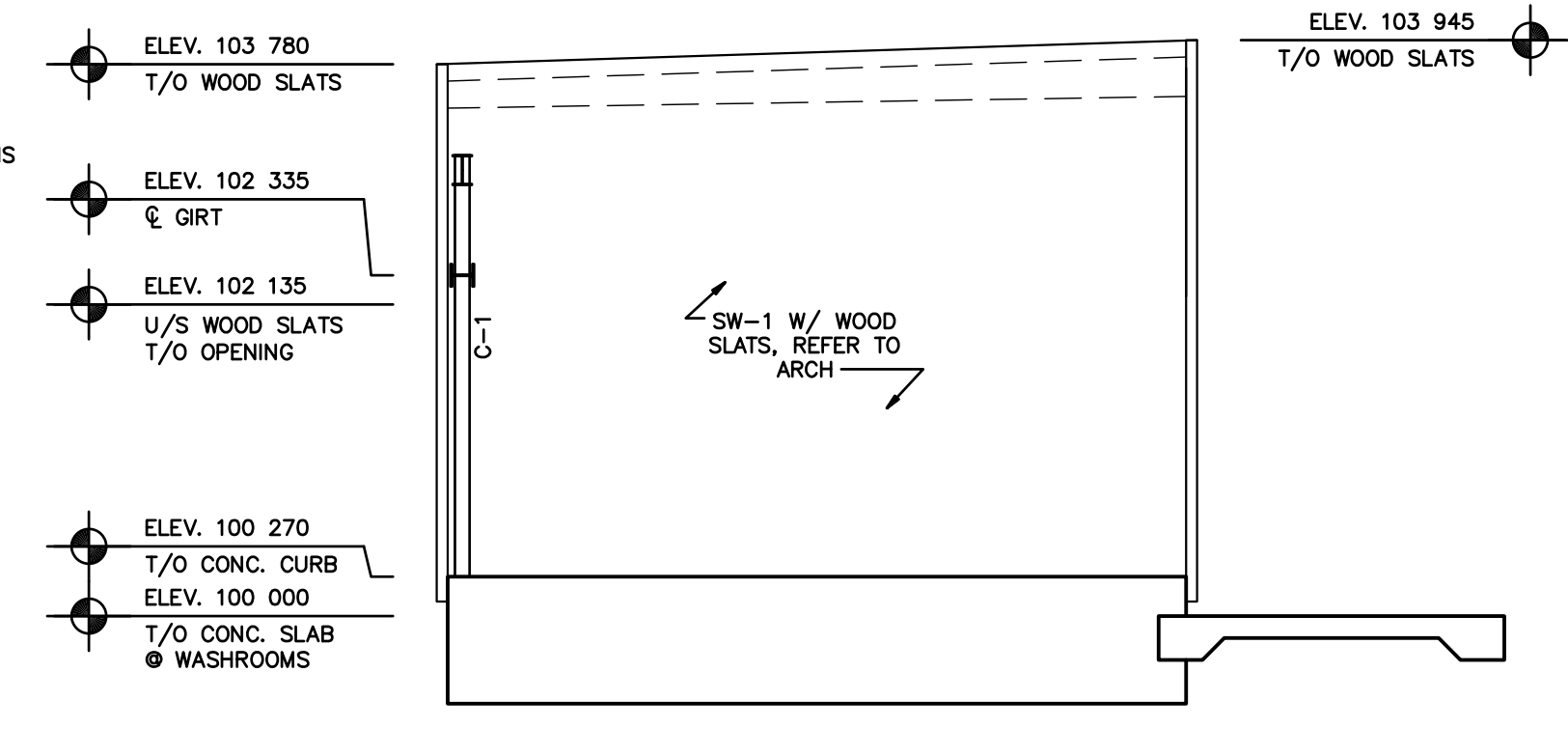
2 EAST ELEVATION
S-4 1:50

TYP. HANGERS EQUALLY SPACED AT 1/4, 1/3, OR 1/2 OF SPANS ALONG LENGTHS AS SHOWN

- CONFIRM ALL ELEVATIONS & DIMENSIONS W/ ARCHITECTURAL
- CONFIRM WOOD SLAT SIZE & SPACING W/ ARCHITECTURAL
- JOISTS NOT SHOWN FOR CLARITY
- TYP. STEEL CONNECTION BY STEEL SUPPLIER
- REFER TO LANDSCAPE L-101 FOR SLAB SLOPES & TOP OF SLAB ELEVATIONS



3 ELEVATION: GRID '2'
S-4 1:50



4 ELEVATION: GRID '3'
S-4 1:50

No.	REVISION	DATE	BY
0	ISSUED FOR CONSTRUCTION	2018.07.27	JCR

WOLFROM ENGINEERING LTD
CONSULTING ENGINEERS
3445 WARDLAW AVENUE
WINNIPEG, CANADA R3L 0L5
(204) 452-0041 FAX: 284-8680
E-Mail: info@wolfromeng.com

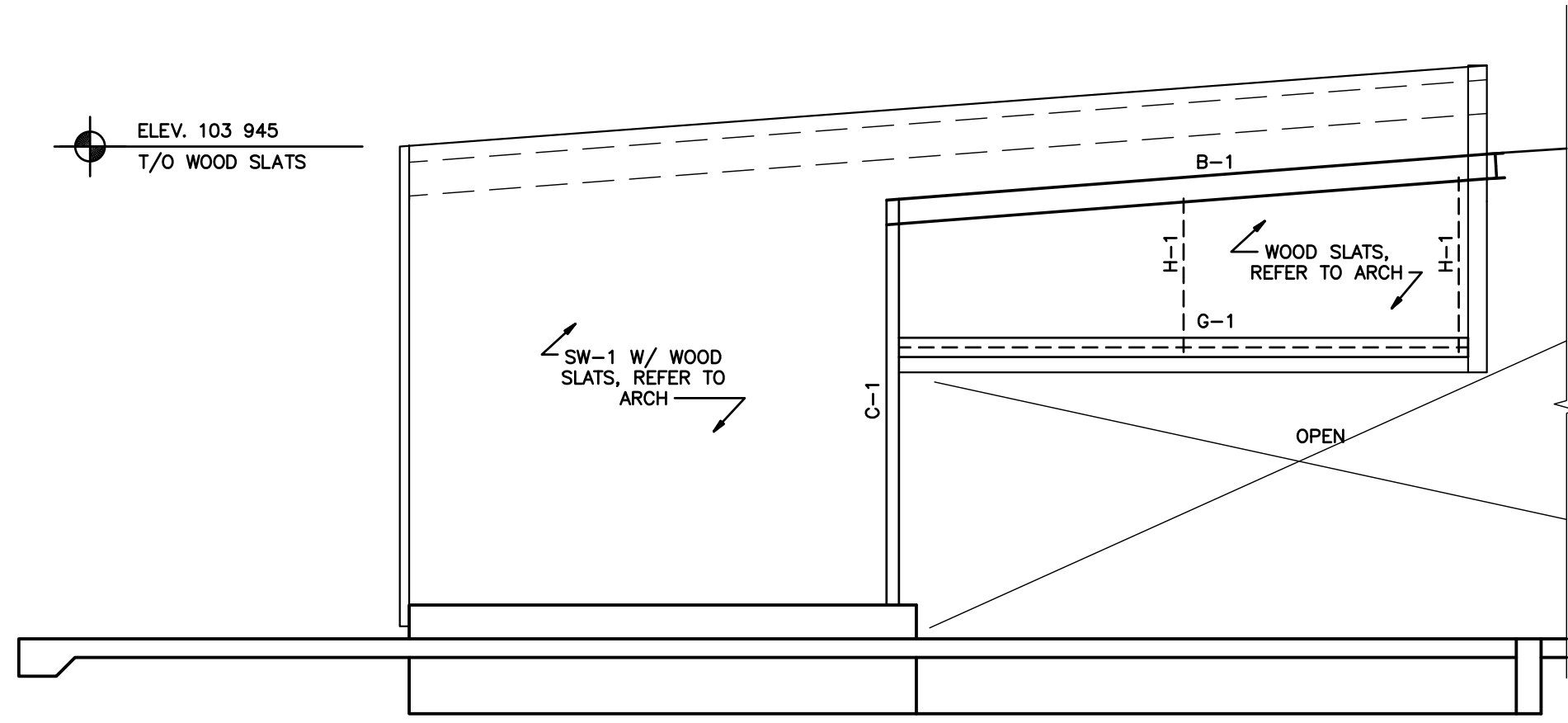
SEAL

ENGINEERS
GEOSCIENTISTS
MANITOBA
Certificate of Authorization
Wolfrom Engineering Ltd.
No. 1158

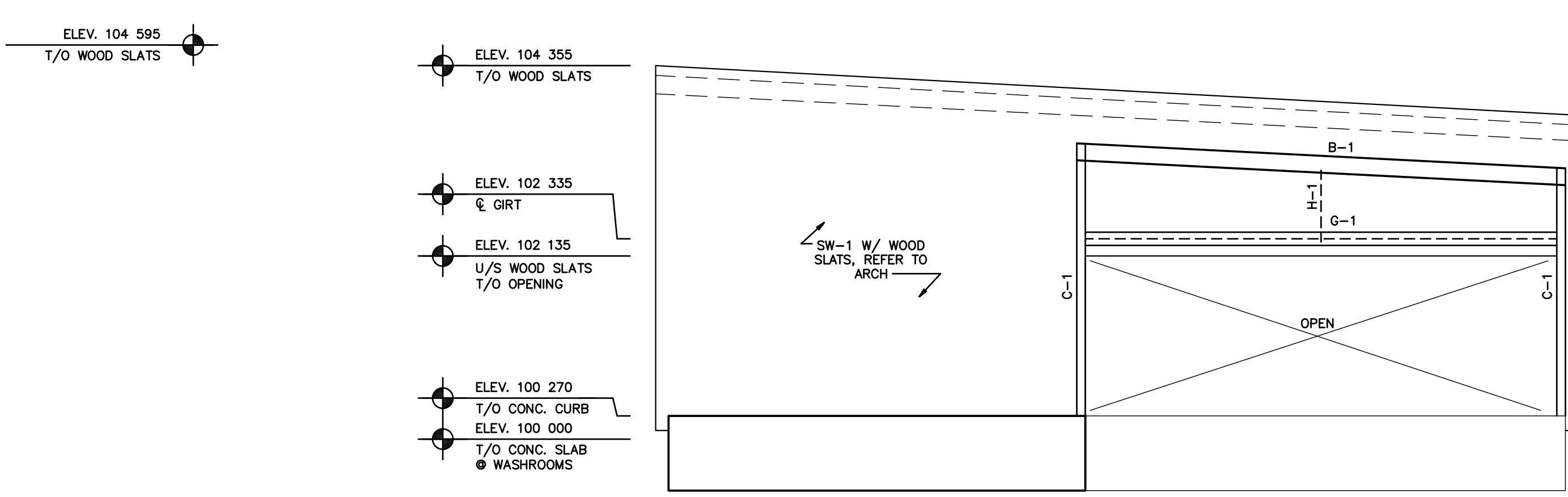
JOB TITLE
**CRESCENT DRIVE
PARK PAVILION**
WINNIPEG, MB.

DRAWING TITLE
**ELEVATIONS
& BUILDING SECTIONS**

DRAWN BY	SCALE	DRAWING NO.
AVP	AS NOTED	S-4
FILE NO. W15085	DATE JULY 27, 2018	REVISION NO. 0



5 ELEVATION: GRID 'D1'
S-4 1:50



6 ELEVATION: GRID 'E'
S-4 1:50