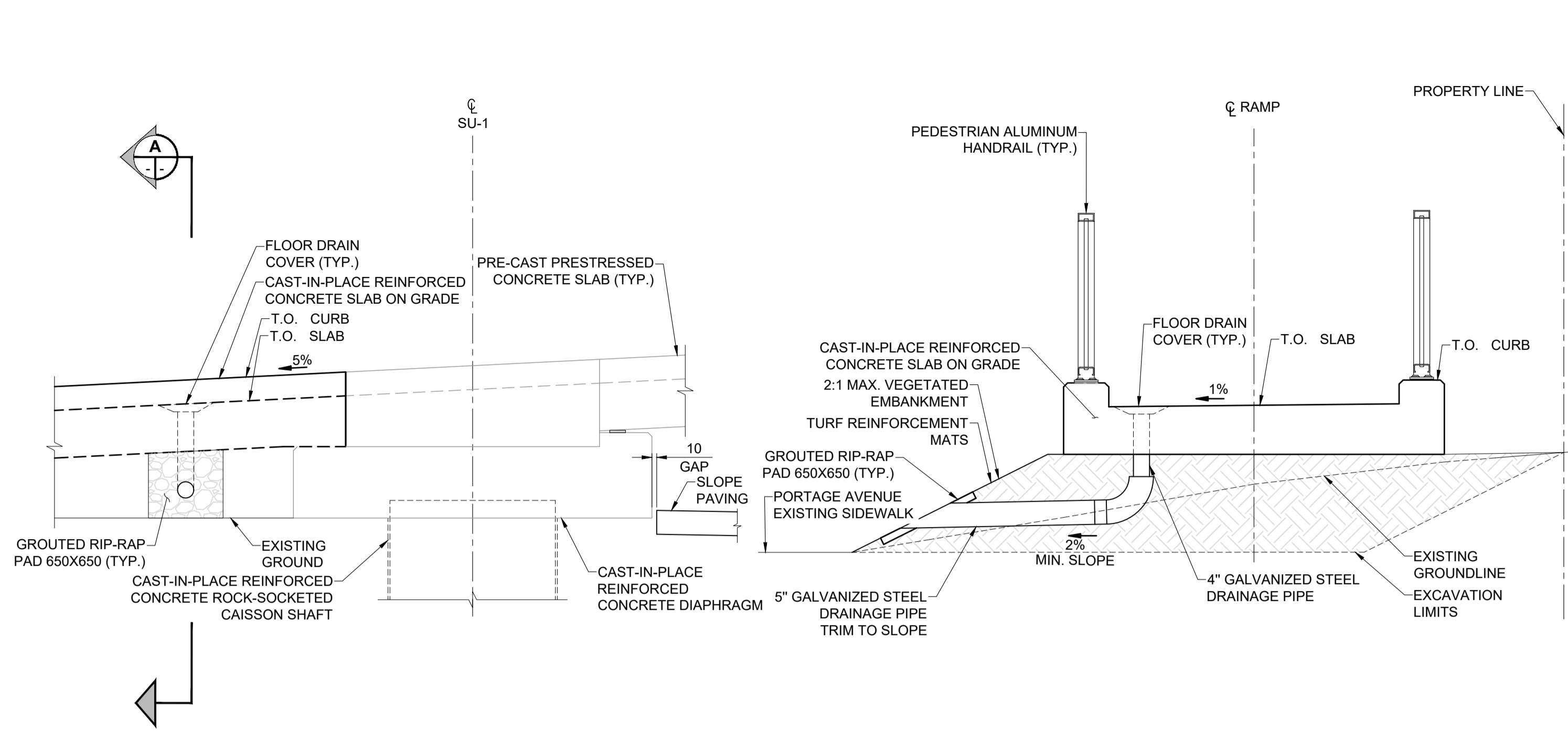
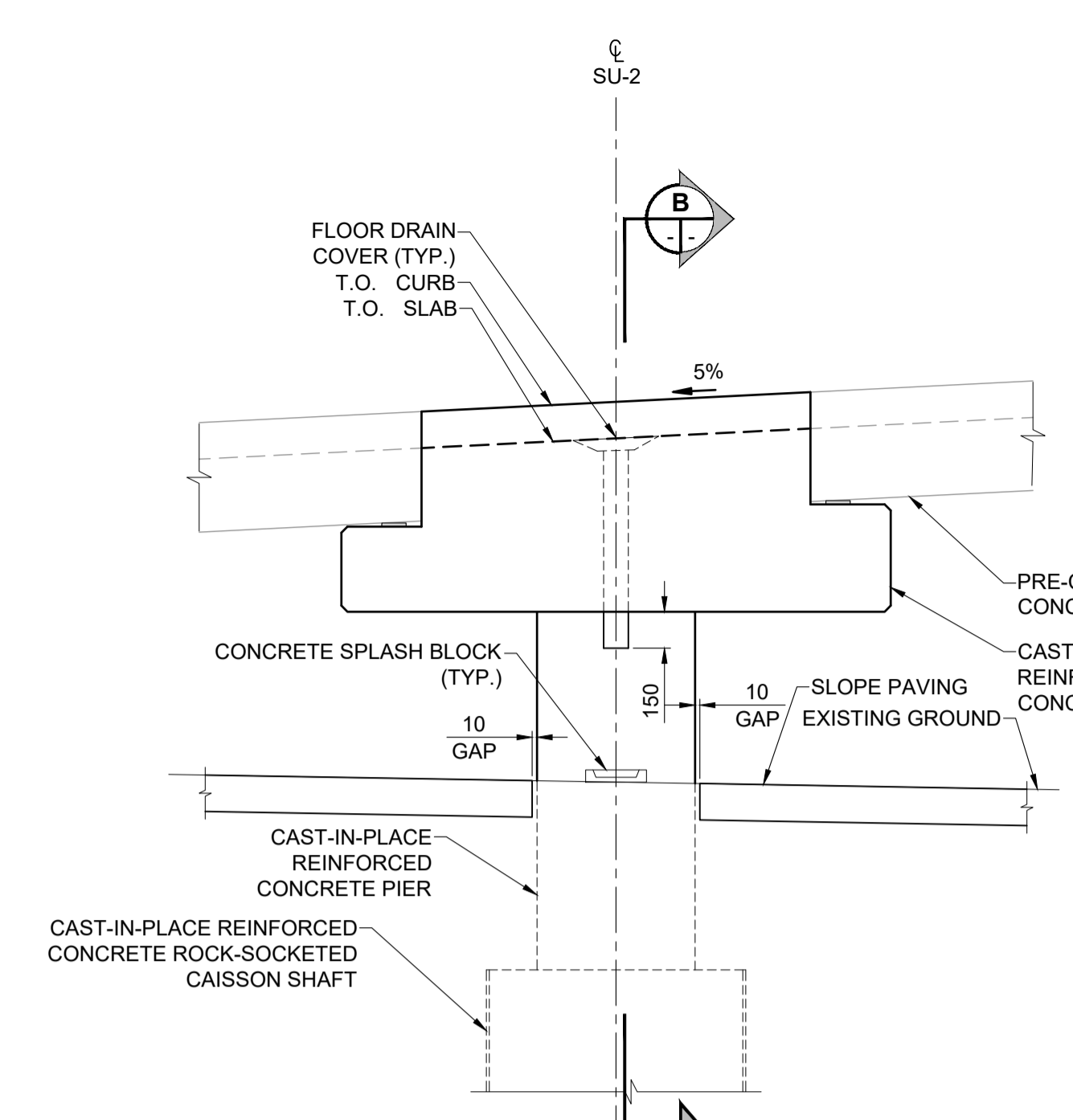


ISO A1 - 594mm x 841mm

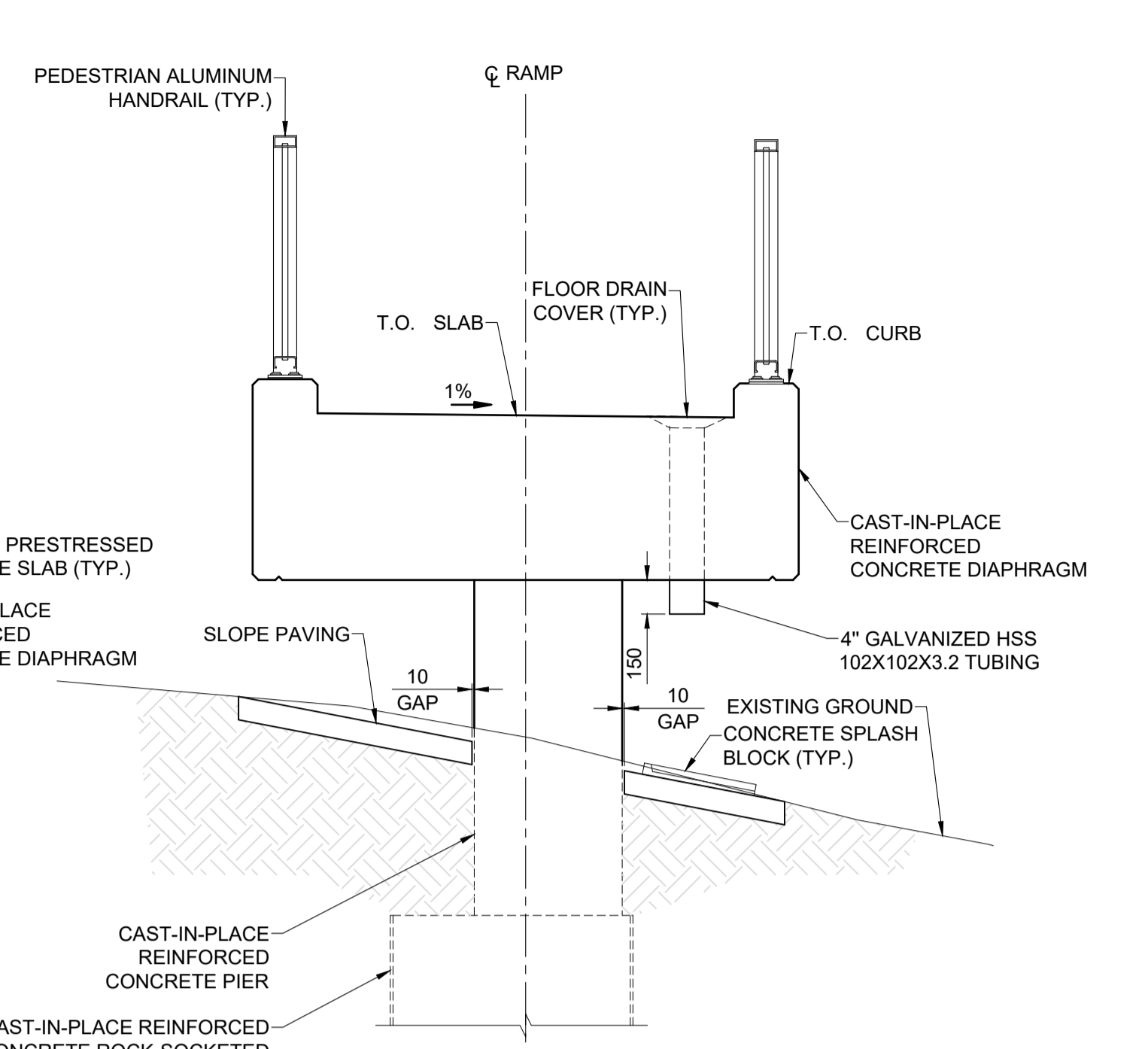
O:\Winnipeg\Proj\W160034\Drawings\06\_Sheets\Detailed Design\Structural\Pedestrian Ramps\W160034\_DD\_NSR.dwg - Last Saved: 06/20/18 7:12 PM by Y.Moravsky - Project: 06/20/18 8:43 PM by Alex Haggner



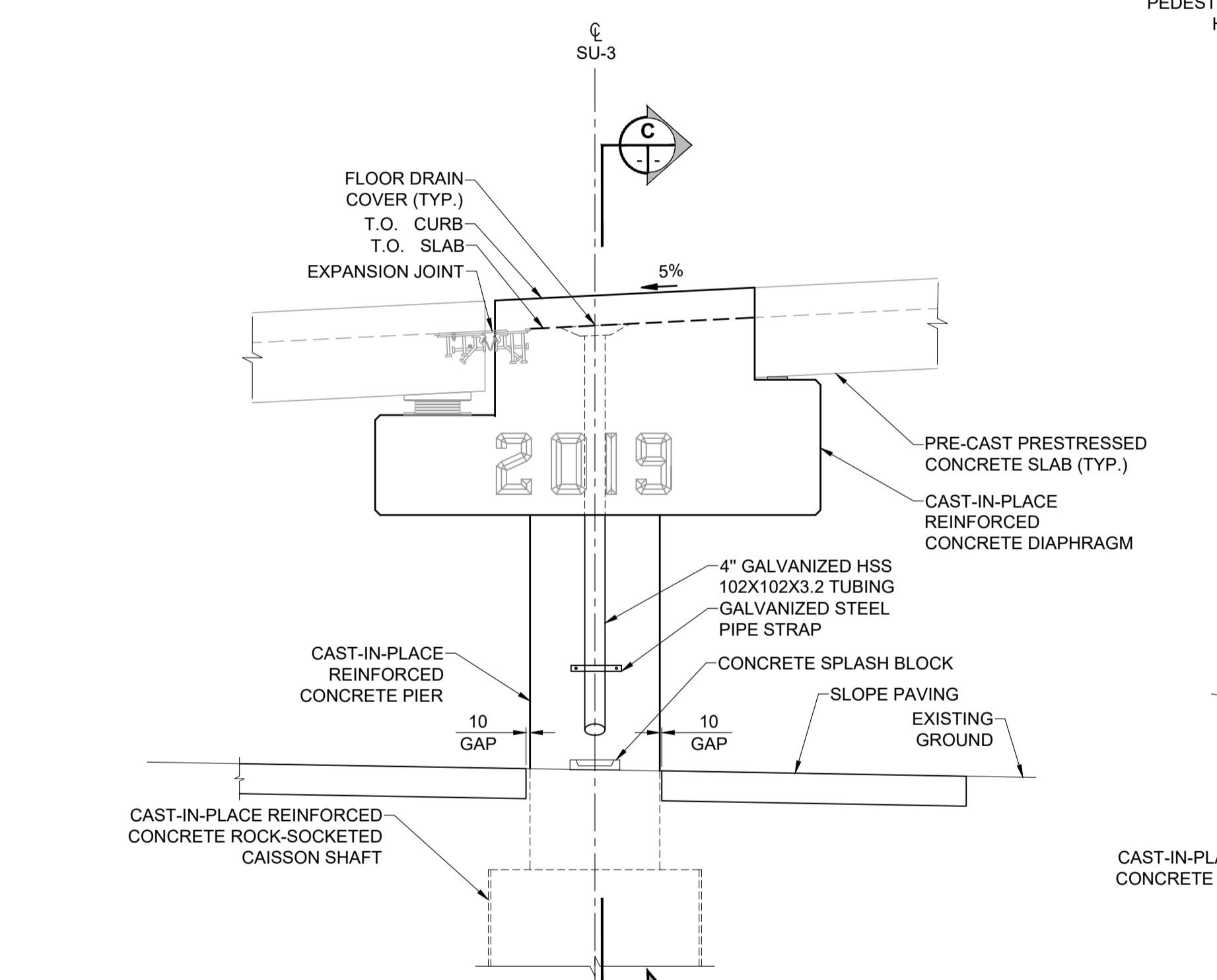
**SU-1 DRAINAGE ELEVATION**  
SCALE: 1:25



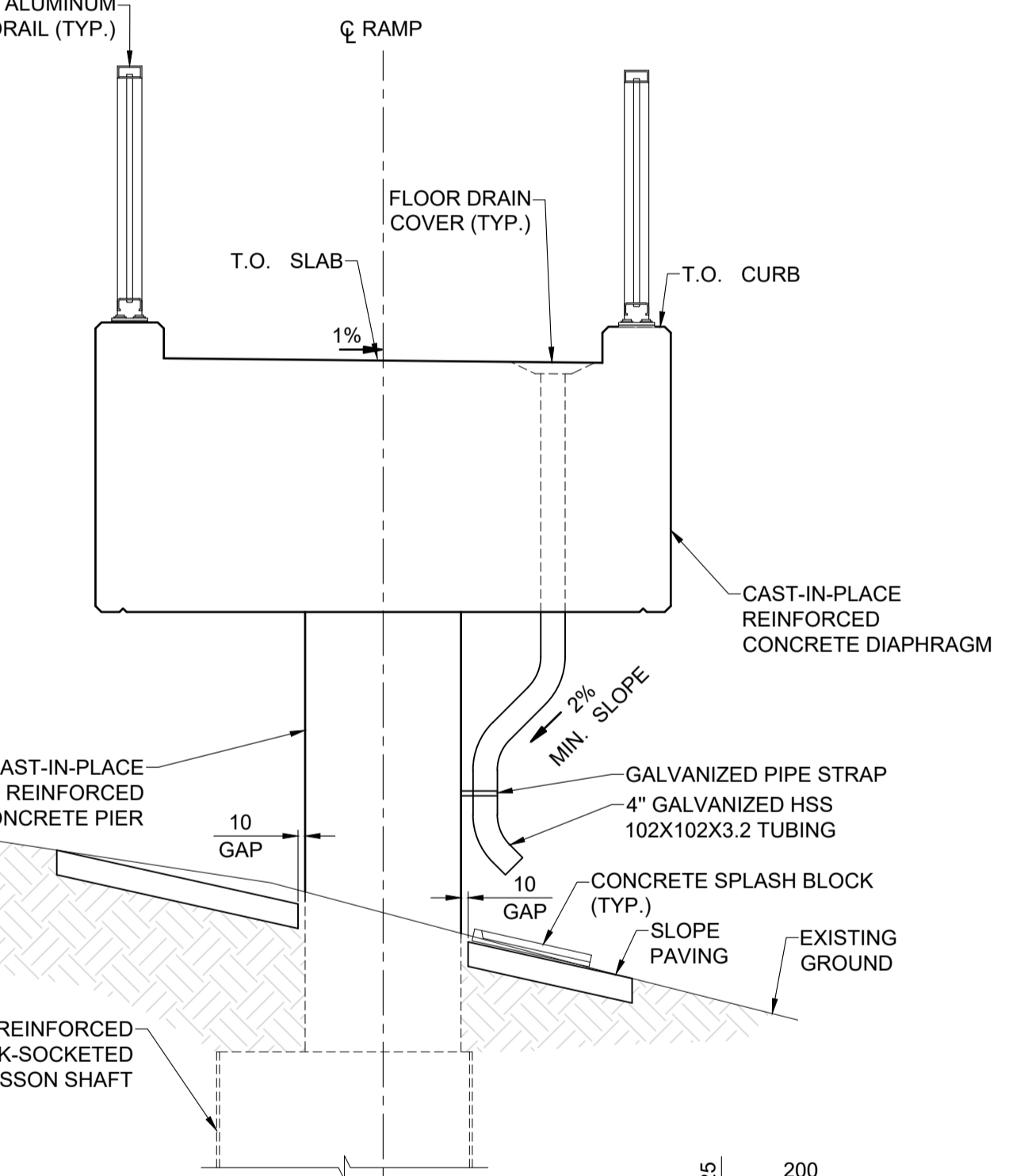
**SU-2 DRAINAGE ELEVATION**  
SCALE: 1:25



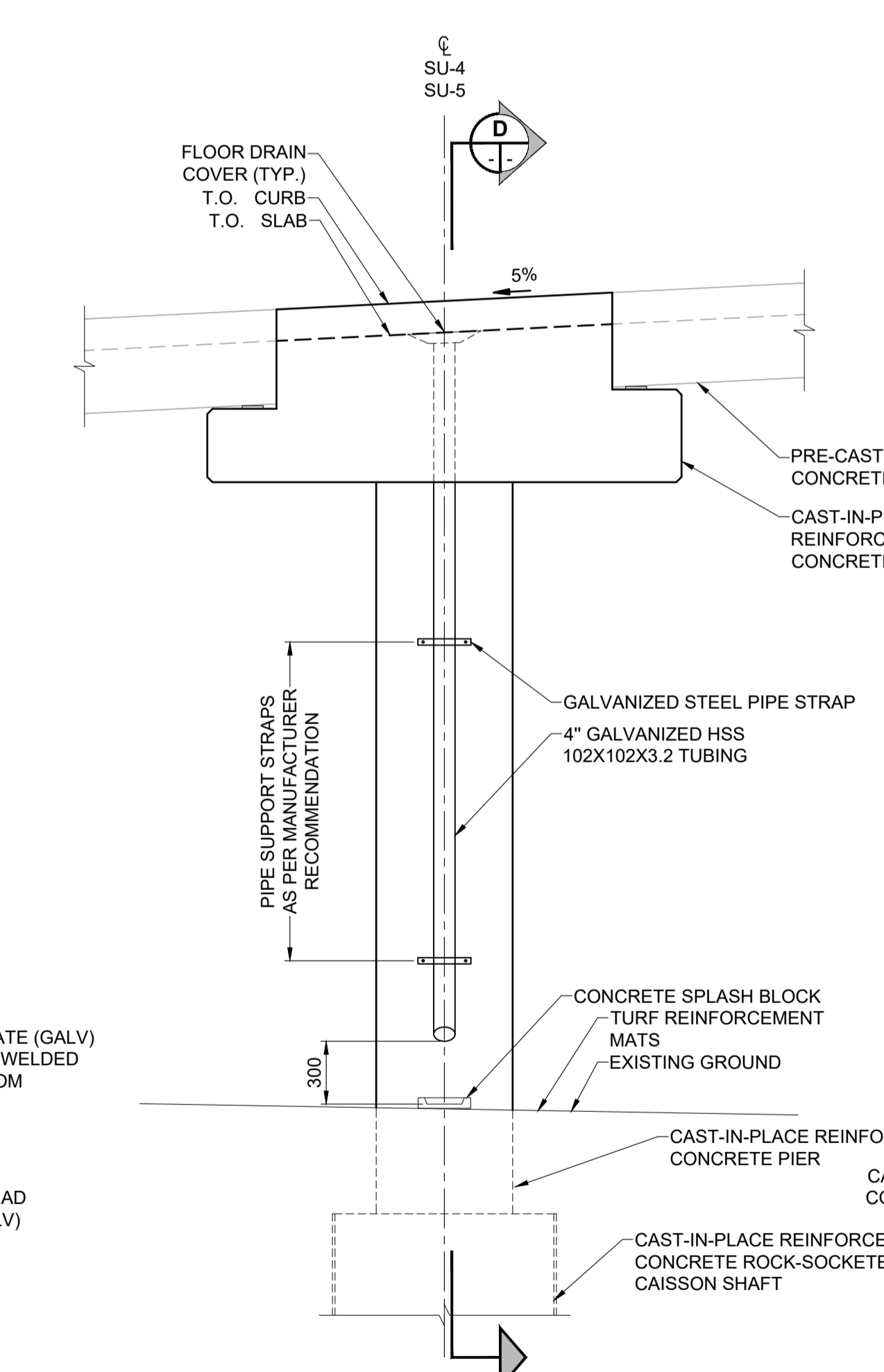
**SU-3 DRAINAGE ELEVATION**  
SCALE: 1:25



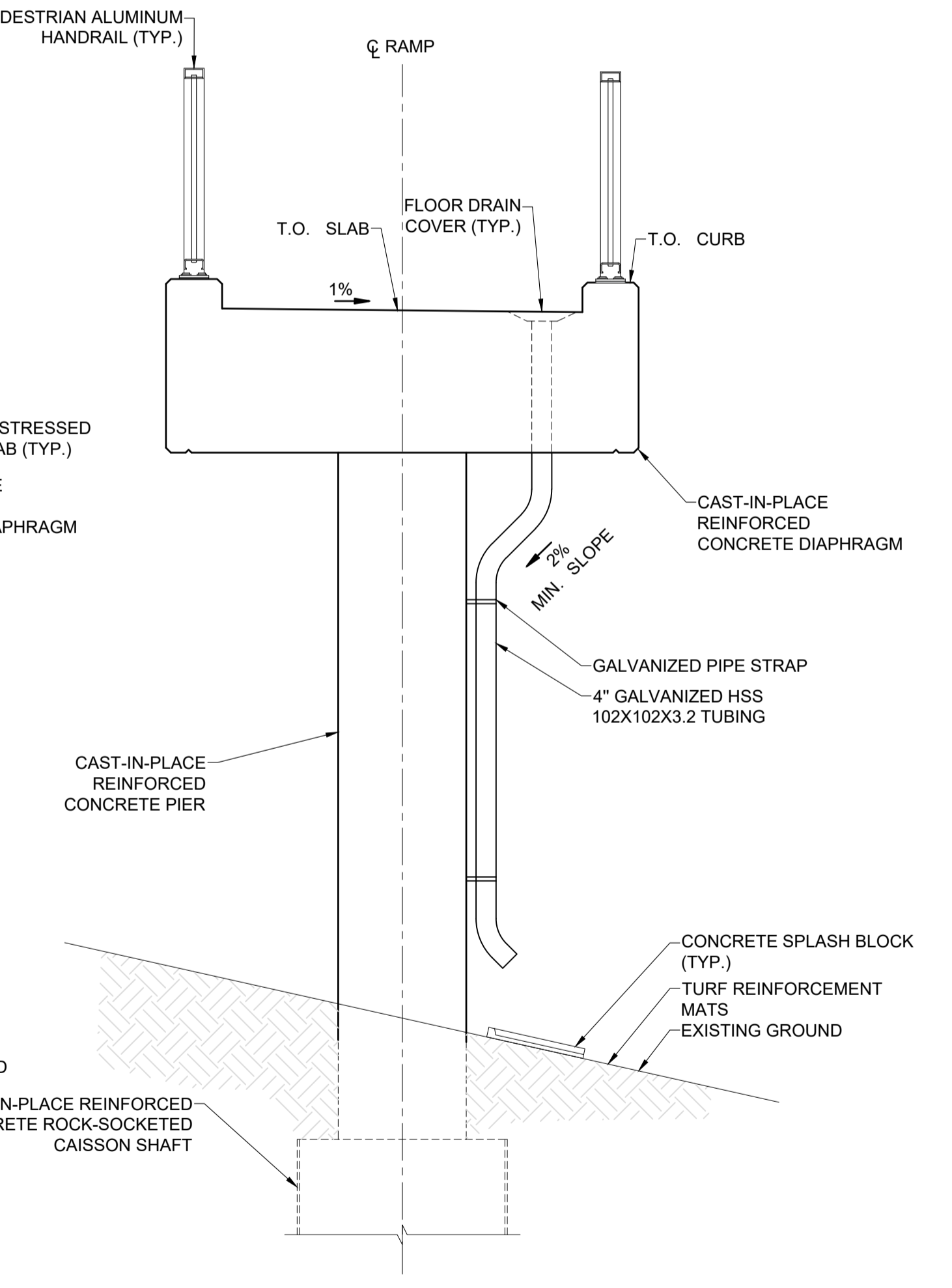
**SU-4 DRAINAGE ELEVATION**  
SCALE: 1:25



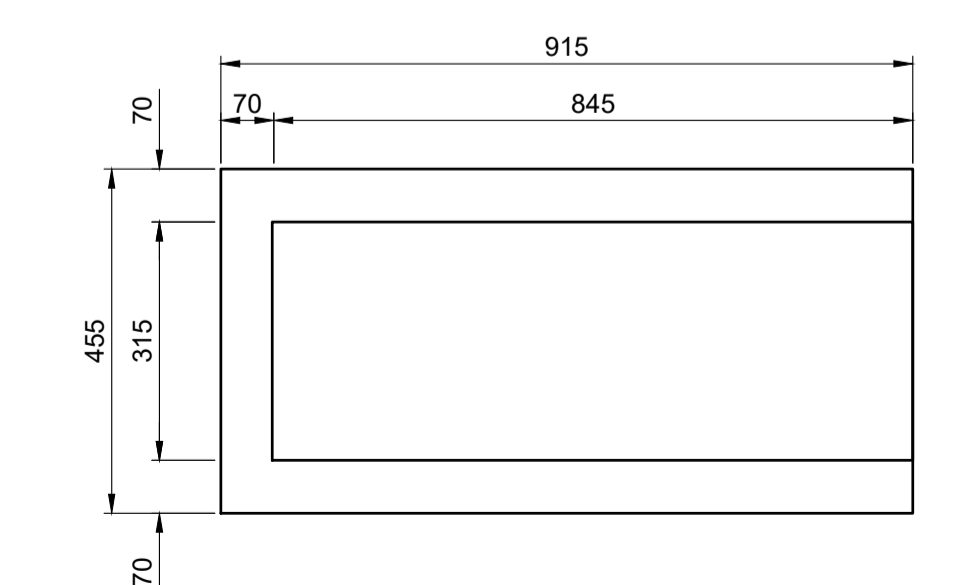
**SU-5 DRAINAGE ELEVATION**  
SCALE: 1:25



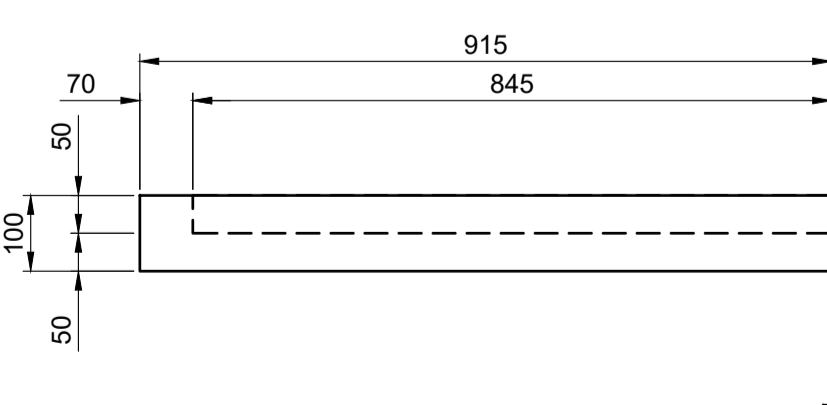
**SU-4&5 DRAINAGE ELEVATION**  
SCALE: 1:25



**SU-4&5 DRAINAGE ELEVATION**  
SCALE: 1:25



**CONCRETE SPLASH BLOCK PLAN**  
SCALE: 1:10



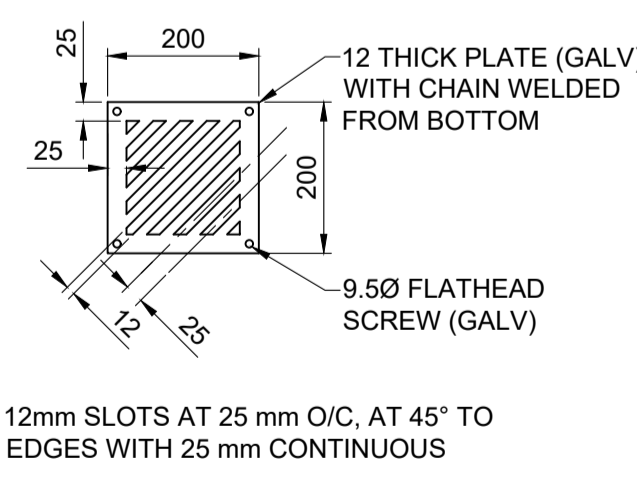
**CONCRETE SPLASH BLOCK ELEVATION**  
SCALE: 1:10



**METRIC**  
WHOLE NUMBERS INDICATE MILLIMETRES  
DECIMALIZED NUMBERS INDICATE METRES

**SECTION A**  
SCALE: 1:25

**SECTION C**  
SCALE: 1:25

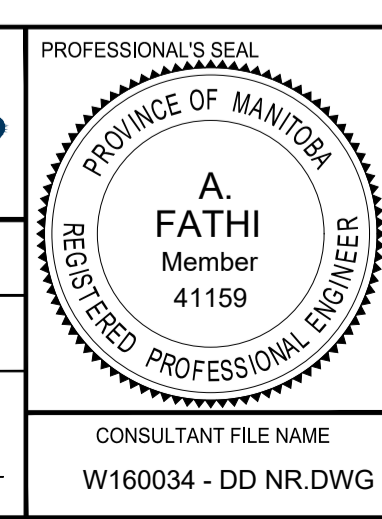


**DETAIL - DECK DRAIN PLATE**  
SCALE: 1:10

LOCATION APPROVED UNDERGROUND STRUCTURES		BM ELEV
SUPR. U/G STRUCTURES	DATE	
COMMITTEE		

No.	REVISIONS	DATE	BY
B	ISSUED FOR TENDER	18/09/04	BAP
A	ISSUED FOR 95% DESIGN REVIEW	18/08/07	BAP

DESIGNED BY	Y.M.	CHECKED BY	A.F.
DRAWN BY	ALP	APPROVED BY	BAP
HOR SCALE	AS SHOWN	RELEASED FOR CONSTRUCTION	
VERT SCALE	AS SHOWN		N/A



**THE CITY OF WINNIPEG**  
PUBLIC WORKS DEPARTMENT  
ENGINEERING DIVISION

**EMPRESS STREET PROJECT**  
PEDESTRIAN ACCESSIBILITY RAMPS  
NORTH RAMP  
DRAINAGE DETAILS

CITY DRAWING NUMBER: P-3494-159  
SHEET 159 OF 168  
DRAWING No. 159  
REV B

CONSULTANT FILE NAME: W160034 - DD NR.DWG

BID OPPORTUNITY No. 602-2018