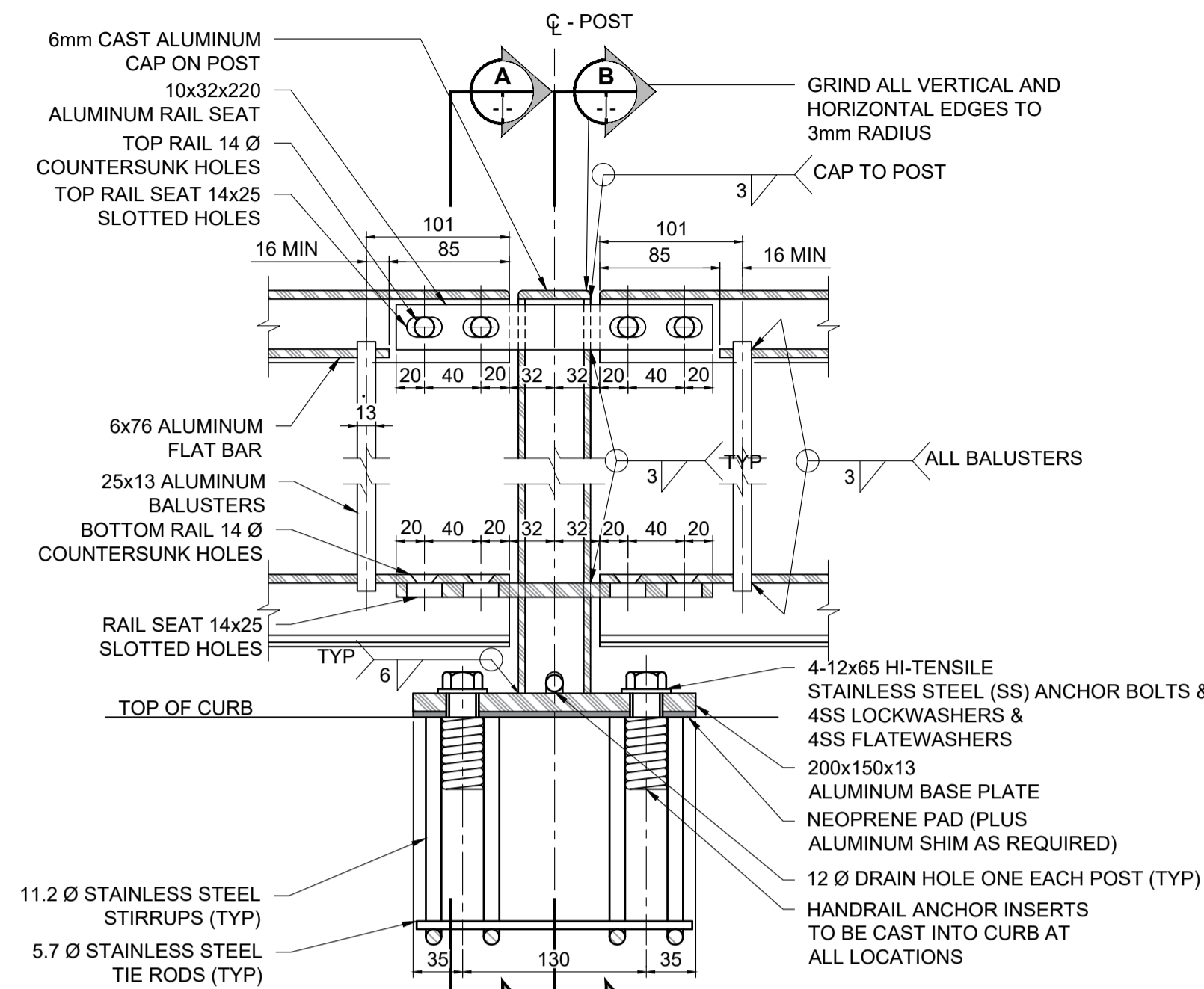
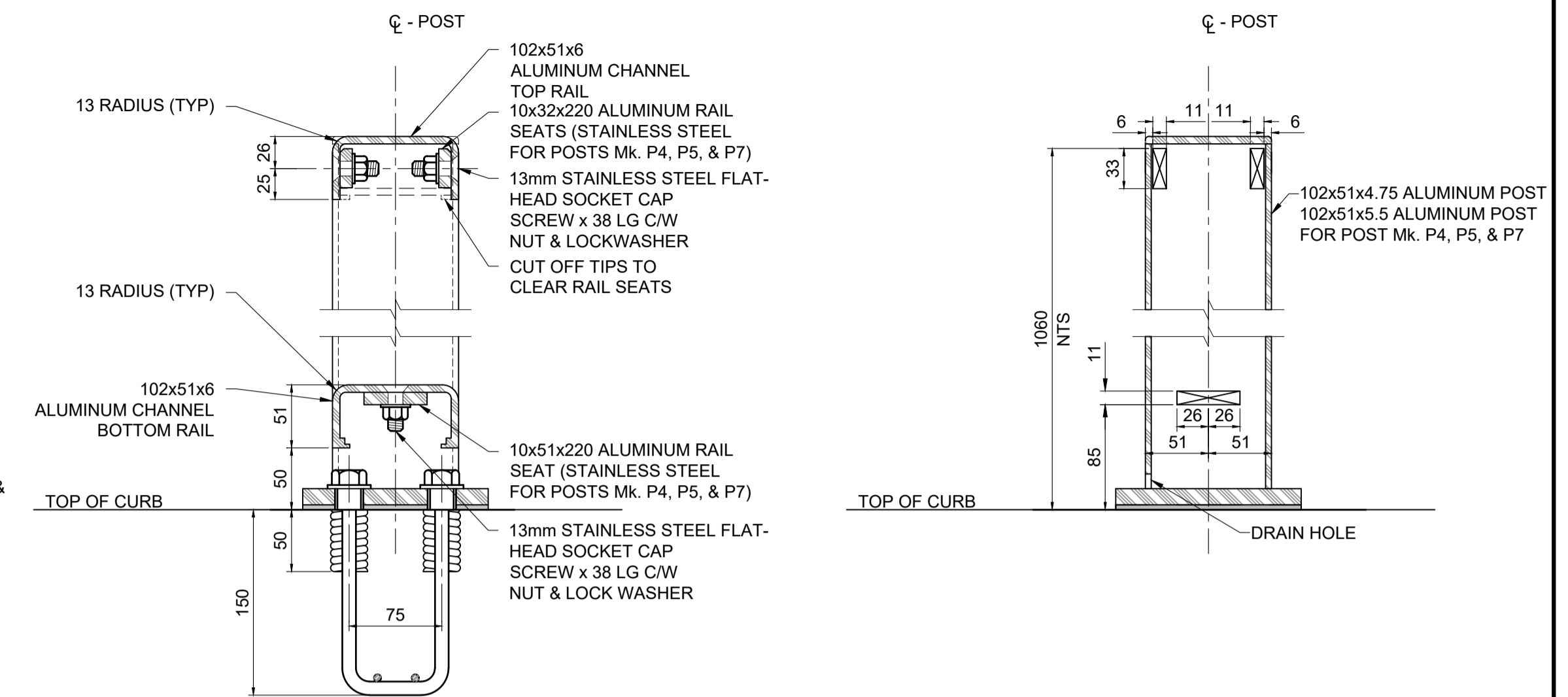


1
156/158
DETAIL
CANTILEVER PANEL POST - Mk. P4, P5, & P7
SCALE: 1:4

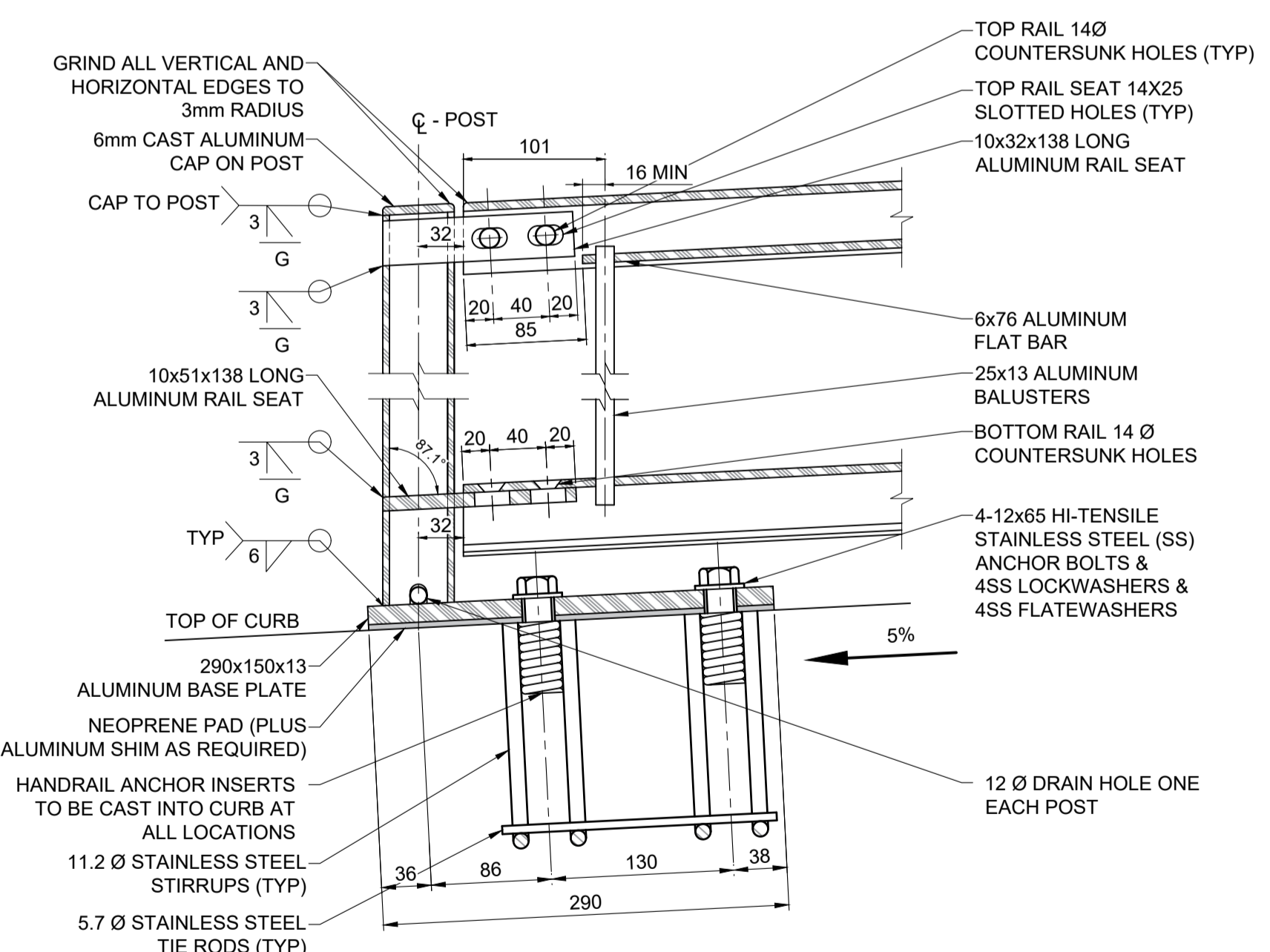


INTERMEDIATE POST ELEVATION
POST - Mk. P3 & P6
SCALE: 1:4

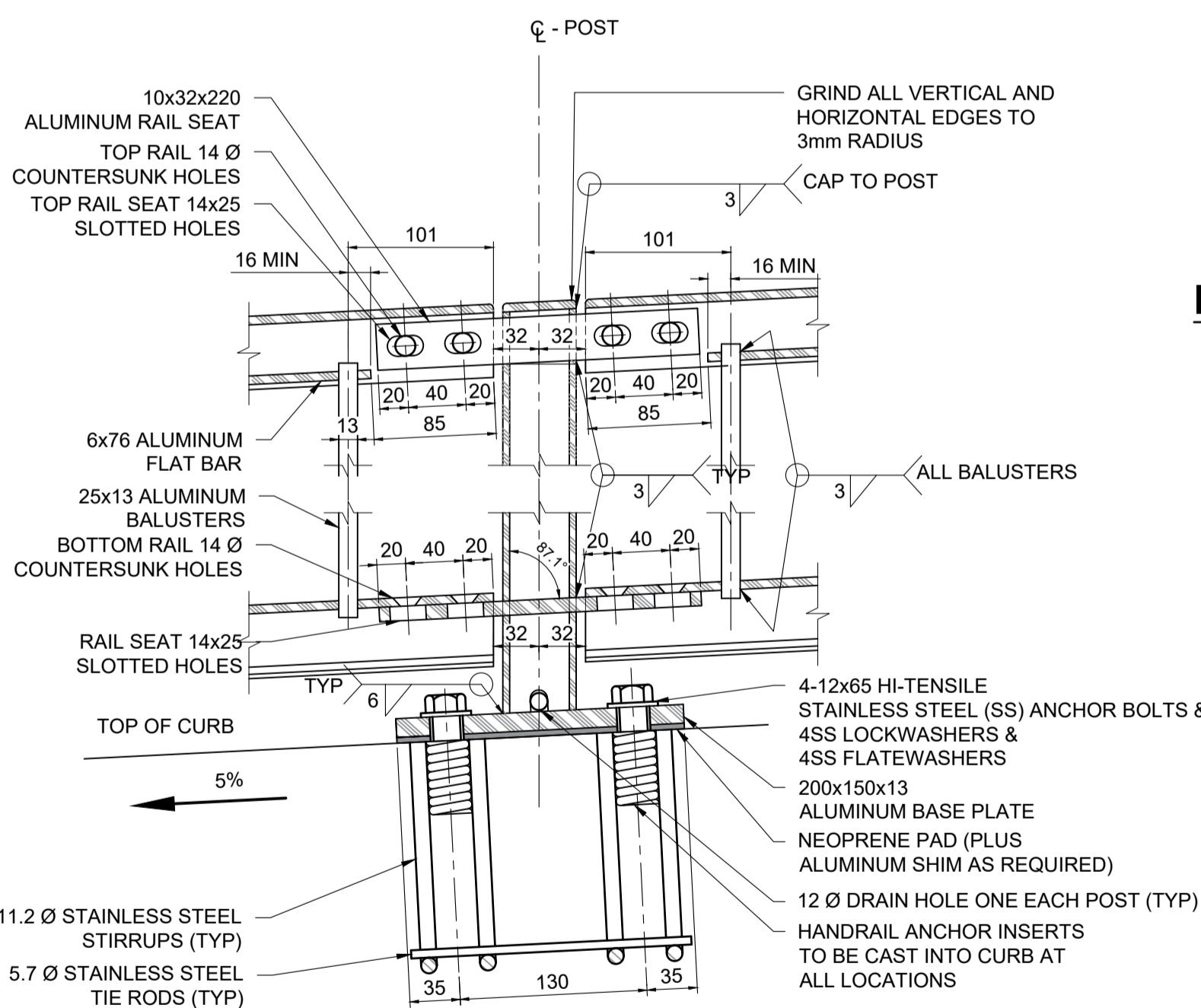


A
SECTION
HANDRAIL POST
SCALE: 1:4

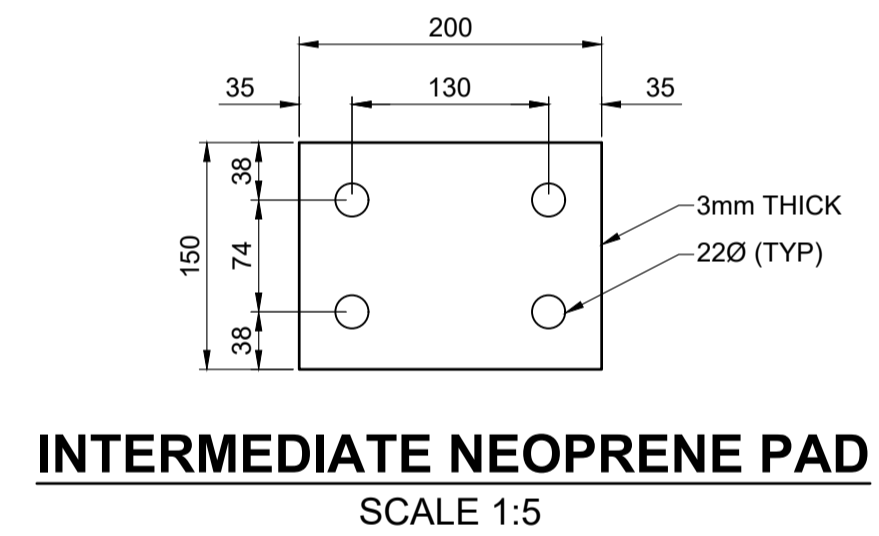
B
SECTION
HANDRAIL POST
SCALE: 1:4



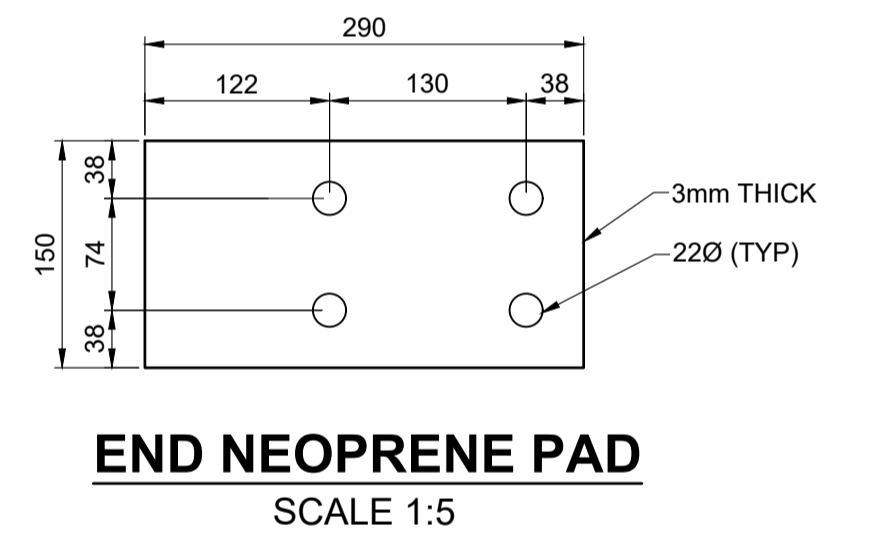
2
156/158
DETAIL
END POST - Mk. P1
SCALE: 1:4



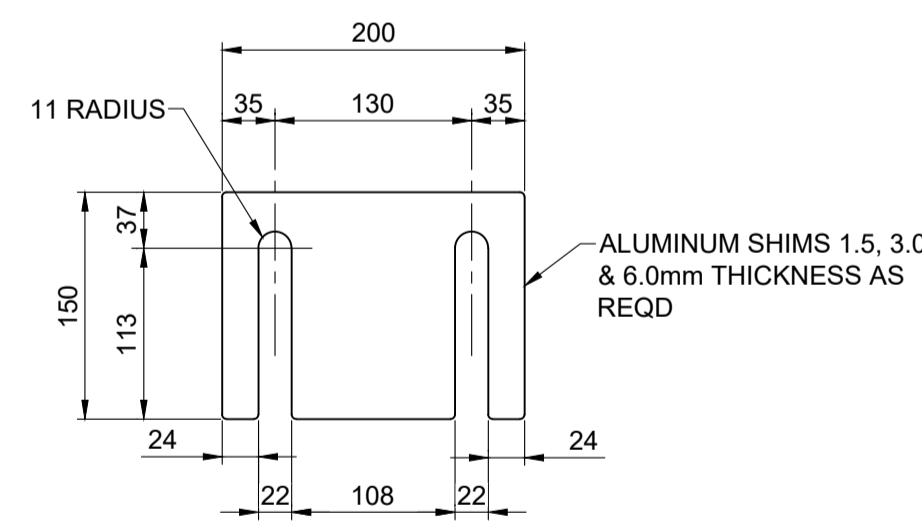
3
156/158
DETAIL
INTERMEDIATE POST - Mk. P2
SCALE: 1:4



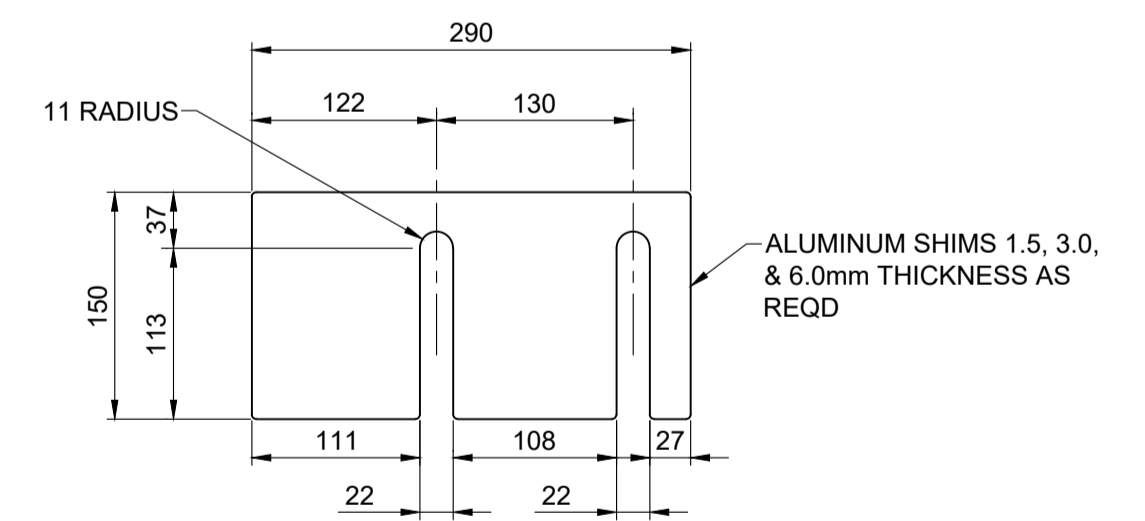
INTERMEDIATE NEOPRENE PAD
SCALE 1:5



END NEOPRENE PAD
SCALE 1:5



INTERMEDIATE SHIM
SCALE 1:5



END SHIM
SCALE 1:5

- NOTES:**
- ALUMINUM EXTRUSIONS SHALL CONFORM TO ASTM B221 ALLOY 6351-T6.
 - ALUMINUM PLATES SHALL CONFORM TO ASTM B221 ALLOY 5083.
 - THE M.I.G. PROCESS OF WELDING SHALL BE USED.
 - RAIL POSTS AND BALUSTERS SHALL BE SET PLUMB.
 - PLACE NEOPRENE PAD UNDER EACH POST BETWEEN BASE PLATE OR SHIM AND CONCRETE SURFACE. ALUMINUM SHIMS MAY BE REQUIRED FOR VERTICAL ALIGNMENT.
 - HANDRAIL ANCHOR INSERTS SHALL BE ACROW-RICHMOND TYPE DGRS-1.



METRIC
WHOLE NUMBERS INDICATE MILLIMETRES
DECIMALIZED NUMBERS INDICATE METRES

LOCATION APPROVED
UNDERGROUND STRUCTURES

DATE: _____

NOTE:
LOCATION OF UNDERGROUND STRUCTURES AS SHOWN ARE BASED ON THE BEST INFORMATION AVAILABLE BUT NO GUARANTEE IS GIVEN THAT ALL EXISTING UTILITIES ARE SHOWN OR THAT THE GIVEN LOCATIONS ARE EXACT. CONFIRMATION OF EXISTENCE AND EXACT LOCATION OF ALL SERVICES MUST BE OBTAINED FROM THE INDIVIDUAL UTILITIES BEFORE PROCEEDING WITH CONSTRUCTION.

BM ELEV			
DESIGNED BY	ALP	CHECKED BY	BAP
DRAWN BY	ALP	APPROVED BY	BE
HOR SCALE	AS SHOWN	RELEASED FOR CONSTRUCTION	N/A
VERT SCALE	AS SHOWN	DATE	
No. REVISIONS	Y/M/D	BY	

MORRISON HERSHFIELD

DESIGNED BY: ALP
CHECKED BY: BAP
DRAWN BY: ALP
APPROVED BY: BE

PROFESSIONAL'S SEAL
PROVINCE OF MANITOBA
B.A.F. PHILLIPS
Member
32723
REGISTERED PROFESSIONAL ENGINEER

CONSULTANT FILE NAME
W160034 - DD NR
HANDRAIL.DWG

THE CITY OF WINNIPEG
PUBLIC WORKS DEPARTMENT
ENGINEERING DIVISION

EMPRESS STREET PROJECT
PEDESTRIAN ACCESSIBILITY RAMPS
NORTH RAMP
PEDESTRIAN HANDRAIL DETAILS 4

CITY DRAWING NUMBER: P-3494-158
SHEET 158 OF 168
DRAWING No. 158 REV B