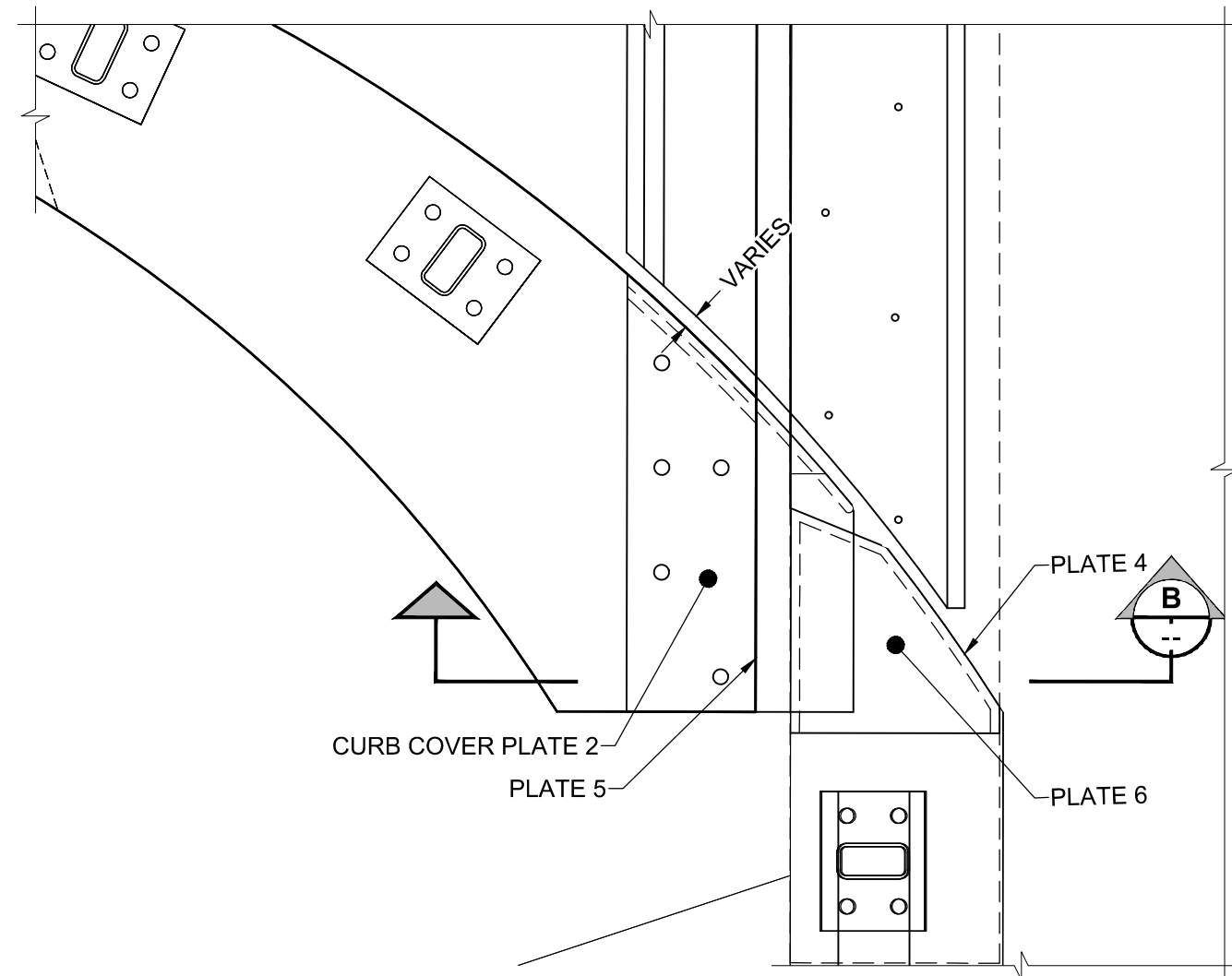
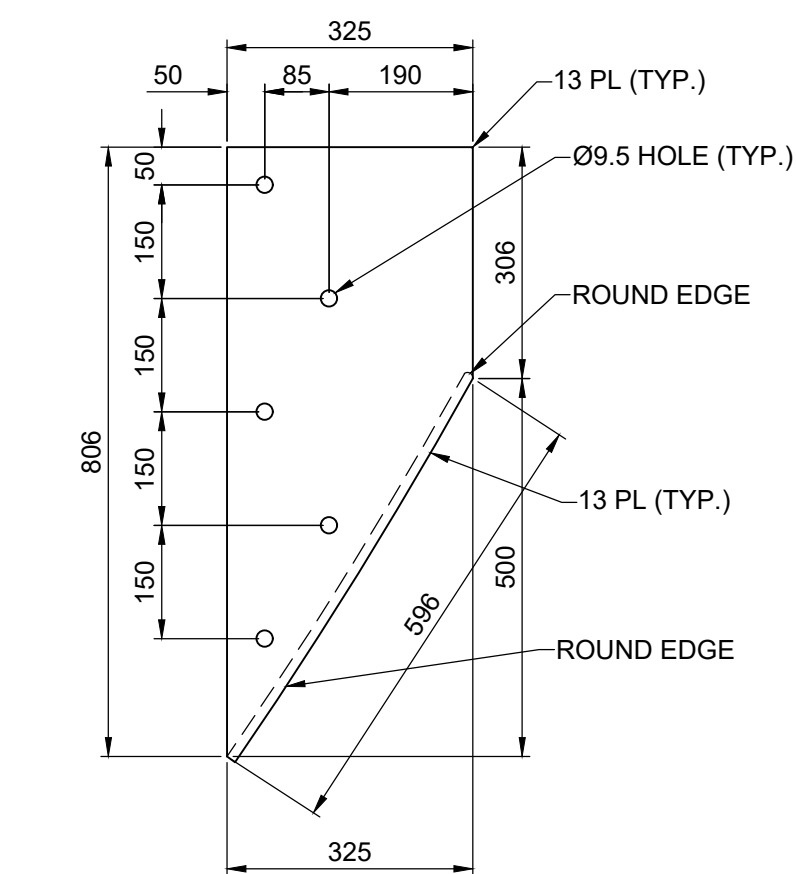


NORTH CURB COVER PLATE PLAN
SCALE: 1:10



SOUTH CURB COVER PLATE PLAN
SCALE: 1:10



CURB COVER PLATE 1
SCALE: 1:10

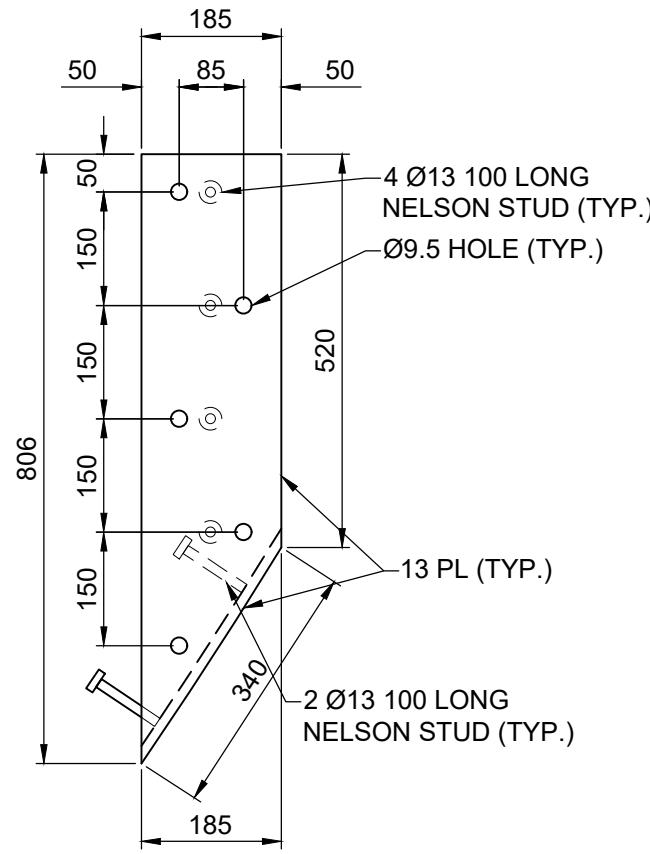
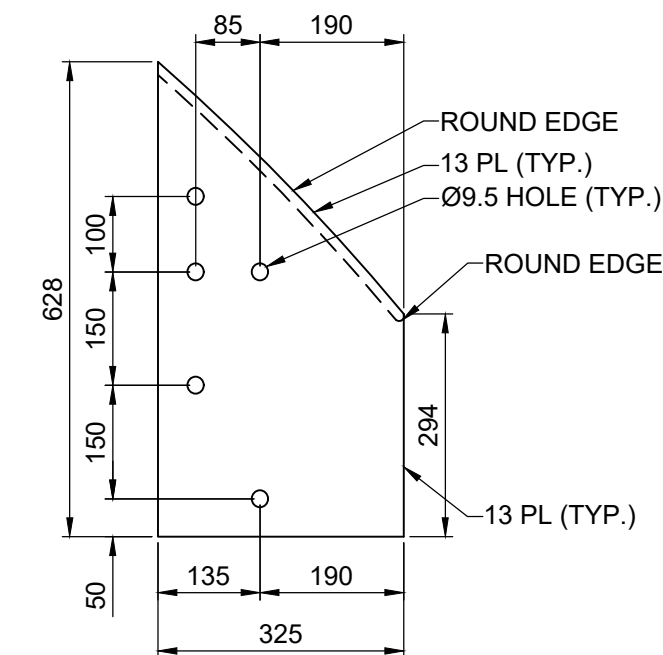


PLATE 3 PLAN
SCALE: 1:10



CURB COVER PLATE 2
SCALE: 1:10

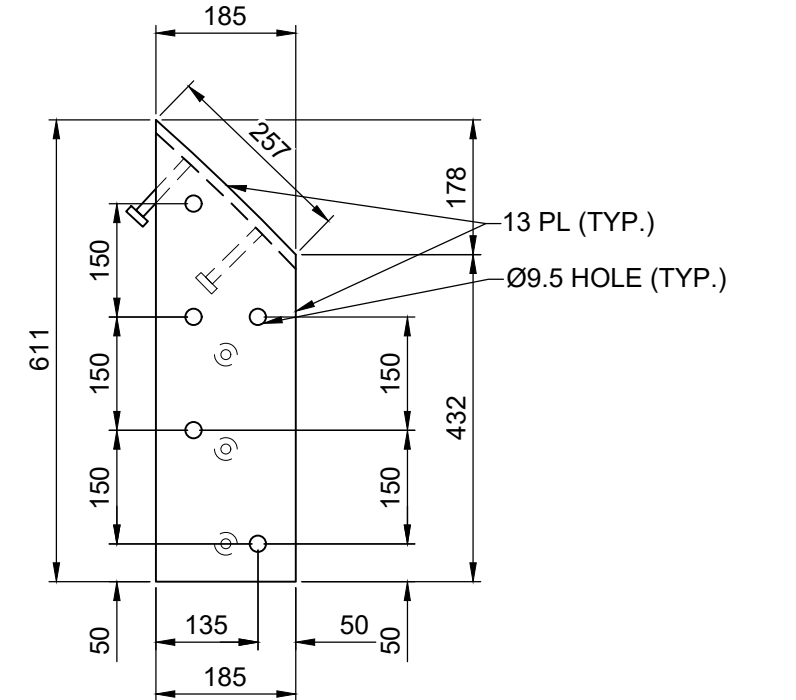


PLATE 5 PLAN
SCALE: 1:10

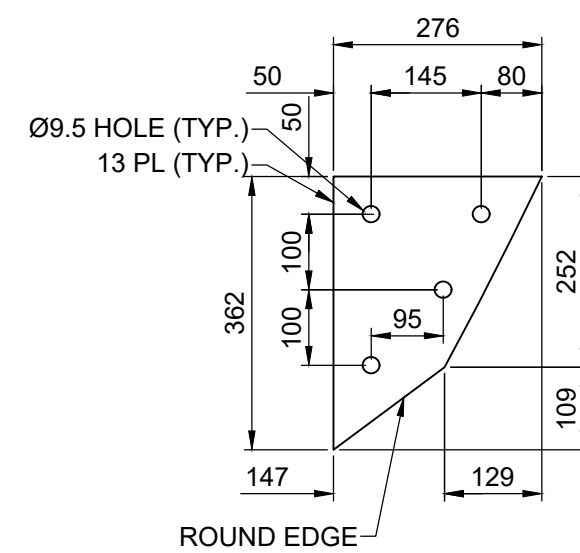


PLATE 1 PLAN
SCALE: 1:10

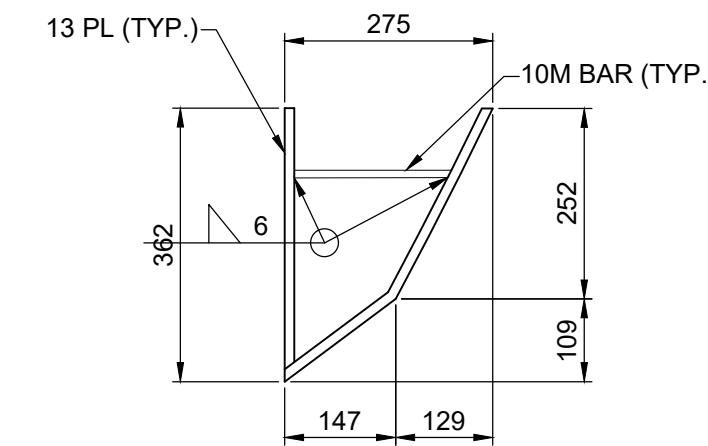


PLATE 2 PLAN
SCALE: 1:10

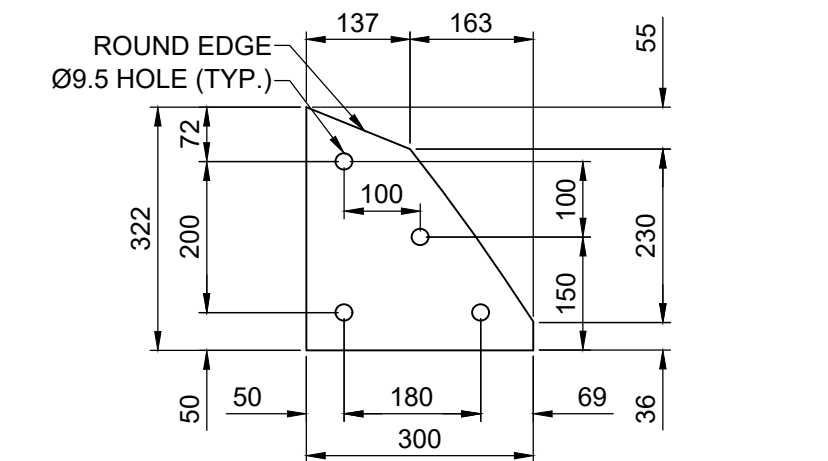


PLATE 6 PLAN
SCALE: 1:10

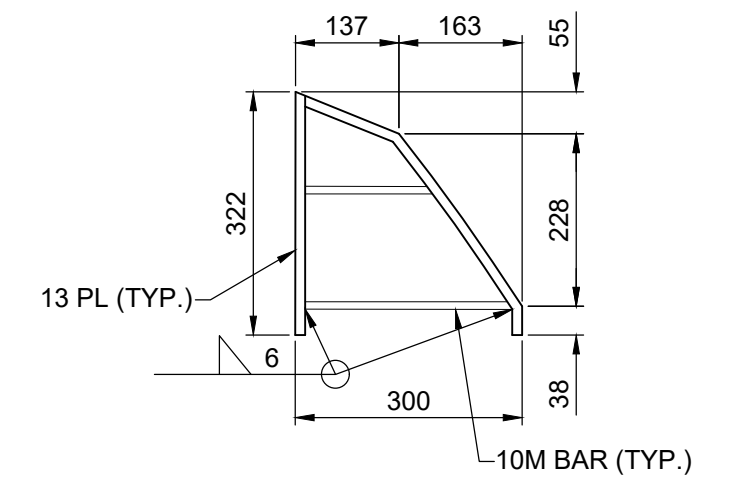


PLATE 4 PLAN
SCALE: 1:10

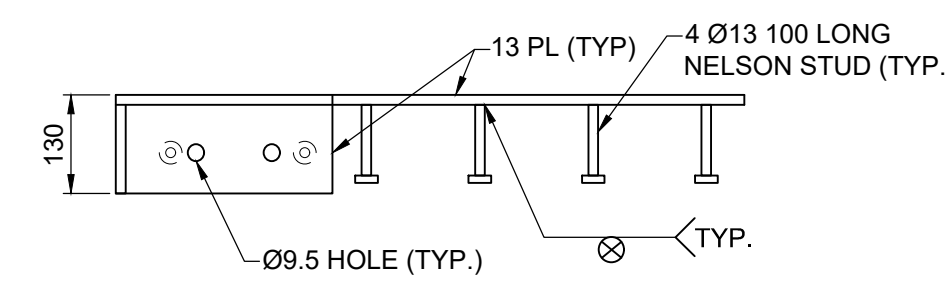


PLATE 3 ELEVATION
SCALE: 1:10

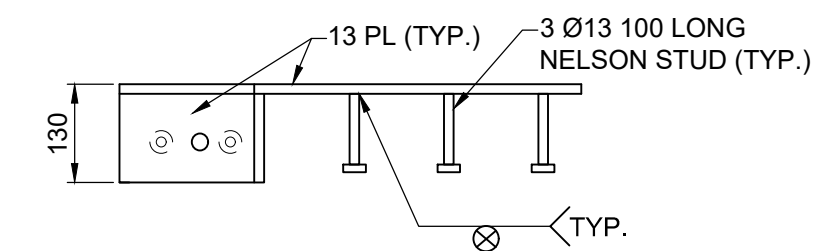
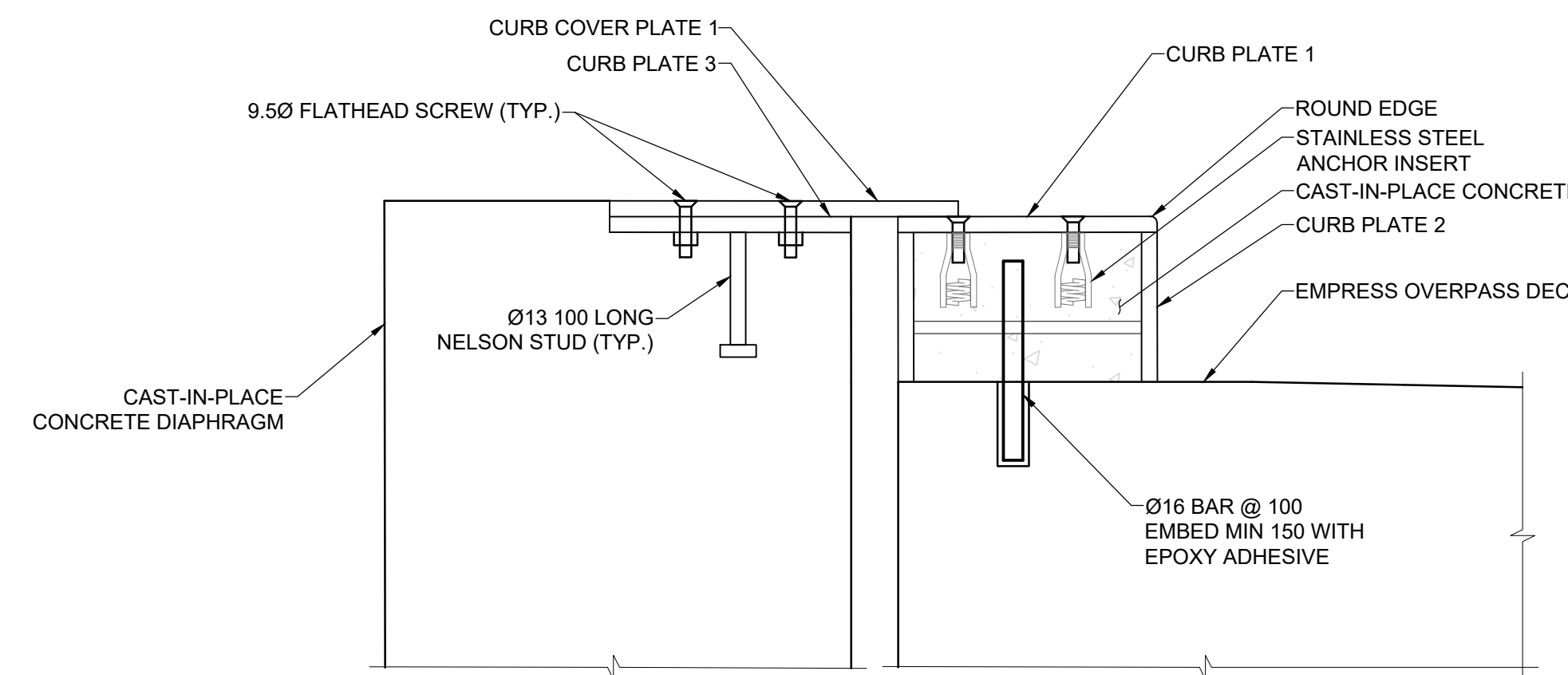
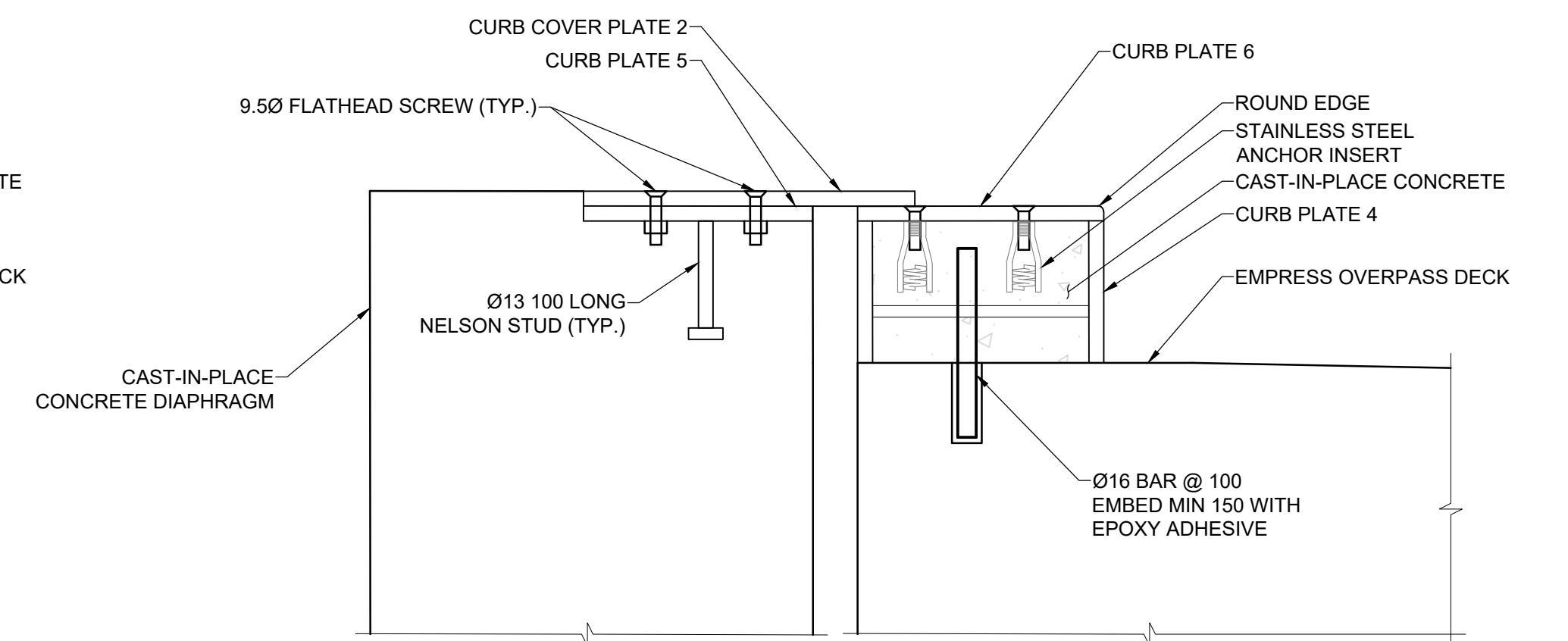


PLATE 5 ELEVATION
SCALE: 1:10



SECTION A
SCALE: 1:5



SECTION B
SCALE: 1:5

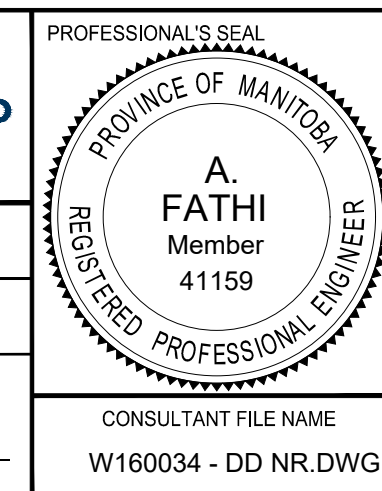


METRIC
WHOLE NUMBERS INDICATE MILLIMETRES
DECIMAL NUMBERS INDICATE METRES

LOCATION APPROVED UNDERGROUND STRUCTURES		BM ELEV
DATE	DATE	
NOTE: LOCATION OF UNDERGROUND STRUCTURES AS SHOWN ARE BASED ON THE BEST INFORMATION AVAILABLE BUT NO GUARANTEE IS GIVEN THAT ALL EXISTING UTILITIES ARE SHOWN OR THAT THE GIVEN LOCATIONS ARE EXACT. CONFIRMATION OF EXISTENCE AND EXACT LOCATION OF ALL SERVICES MUST BE OBTAINED FROM THE INDIVIDUAL UTILITIES BEFORE PROCEEDING WITH CONSTRUCTION.		
NO.	REVISIONS	DATE

DESIGNED BY	Y.M.	CHECKED BY	A.F.
DRAWN BY	ALP	APPROVED BY	BAP
RELEASED FOR CONSTRUCTION			
N/A			
DATE			

MORRISON HERSHFIELD	
HOR SCALE	AS SHOWN
VERT SCALE	AS SHOWN



THE CITY OF WINNIPEG
PUBLIC WORKS DEPARTMENT
ENGINEERING DIVISION

EMPRESS STREET PROJECT
PEDESTRIAN ACCESSIBILITY RAMPS
NORTH RAMP
EXPANSION JOINT DETAILS 3

CITY DRAWING NUMBER: P-3494-153
SHEET 153 OF 168
DRAWING No. REV 153 B

CONSULTANT FILE NAME: W160034 - DD NR.DWG