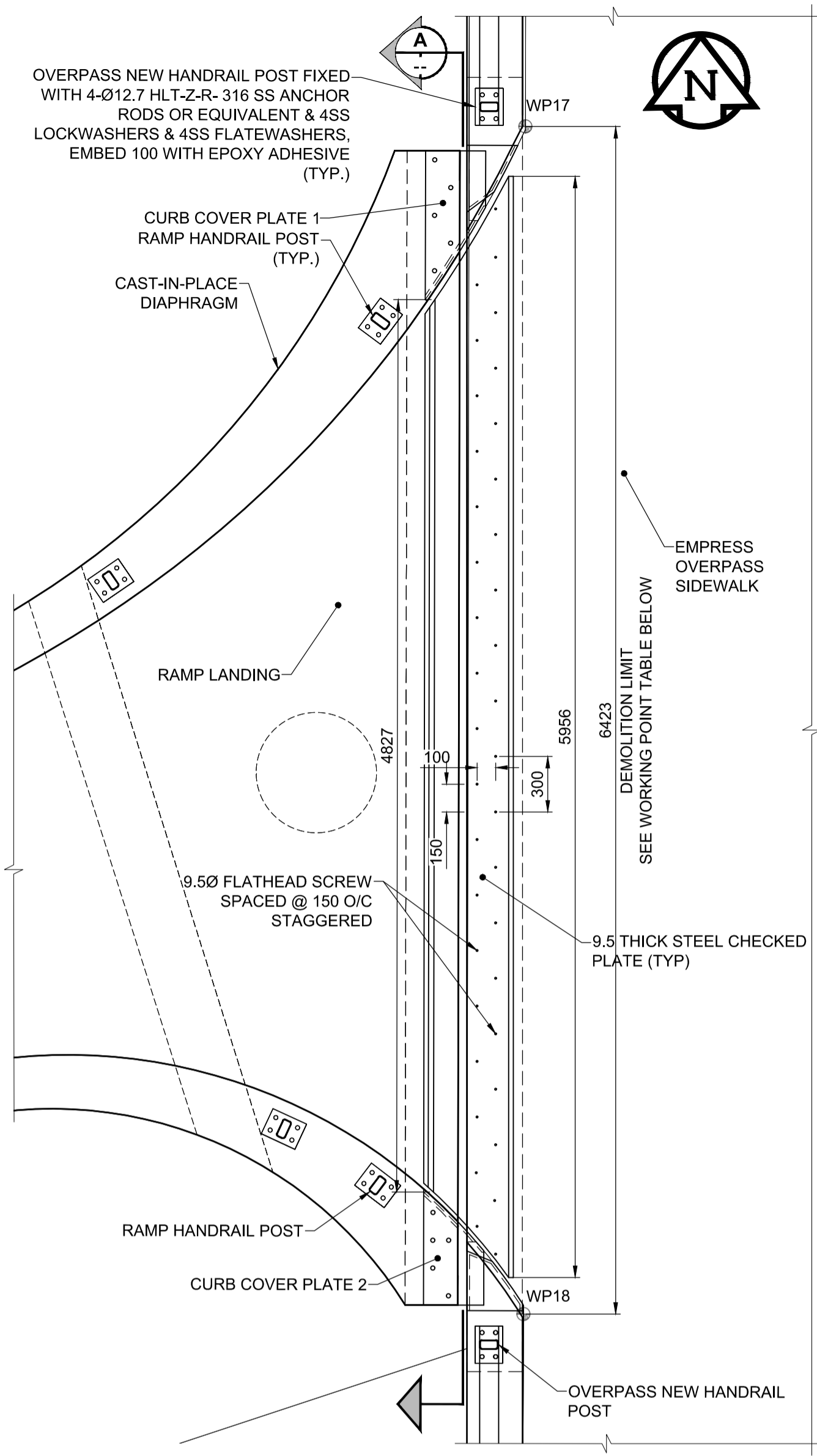
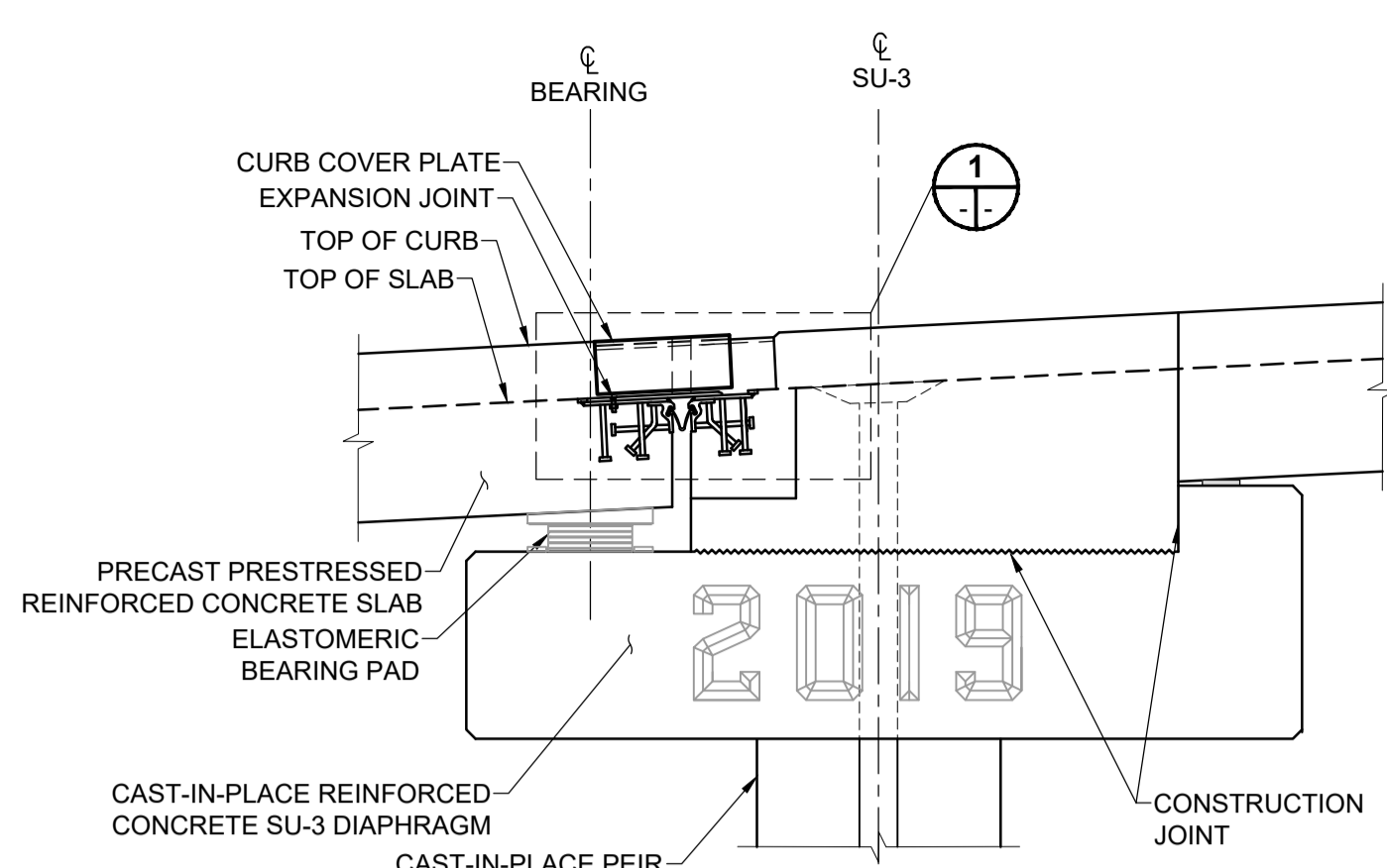


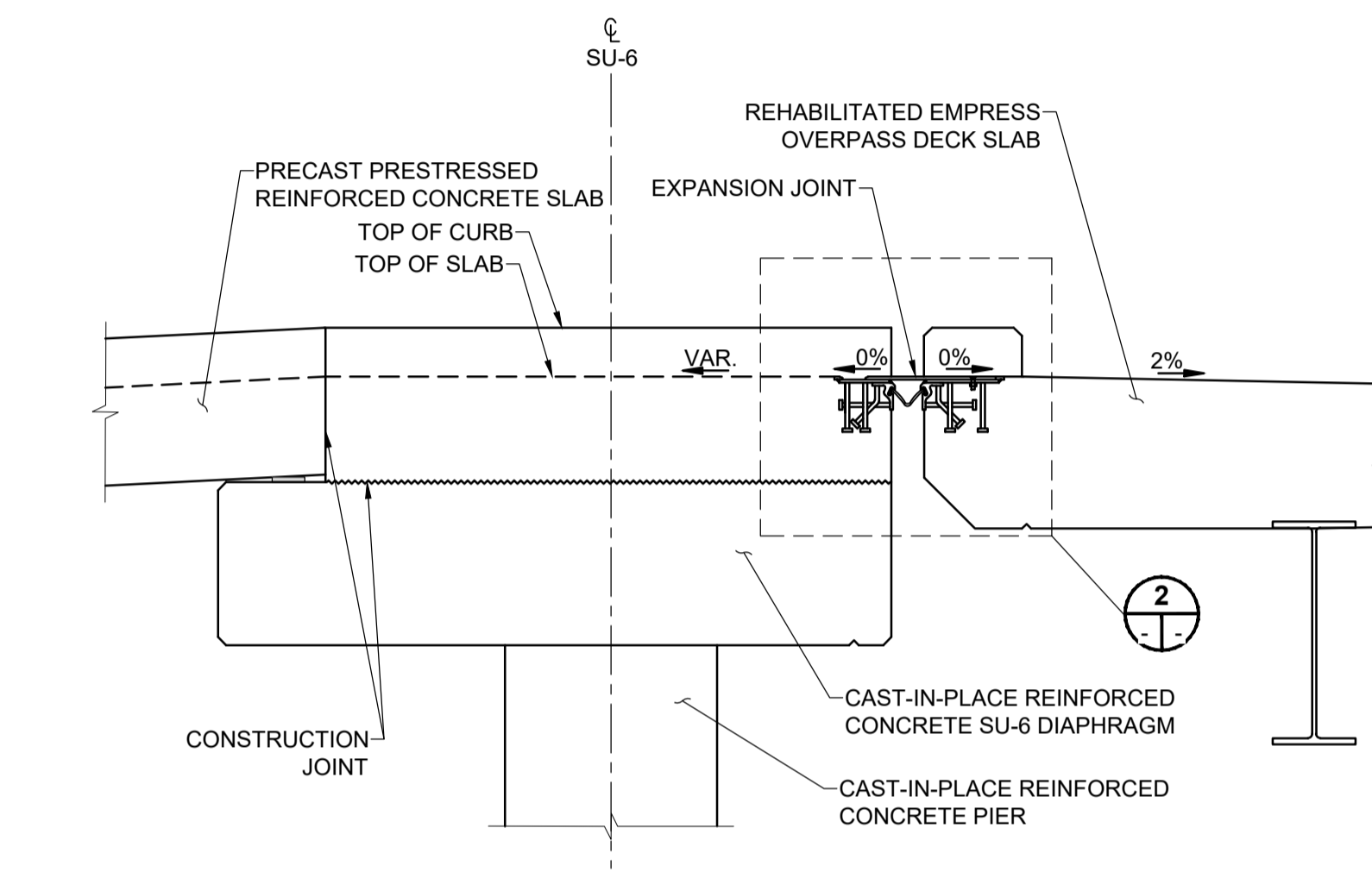
ISO A1 - 594mm x 841mm



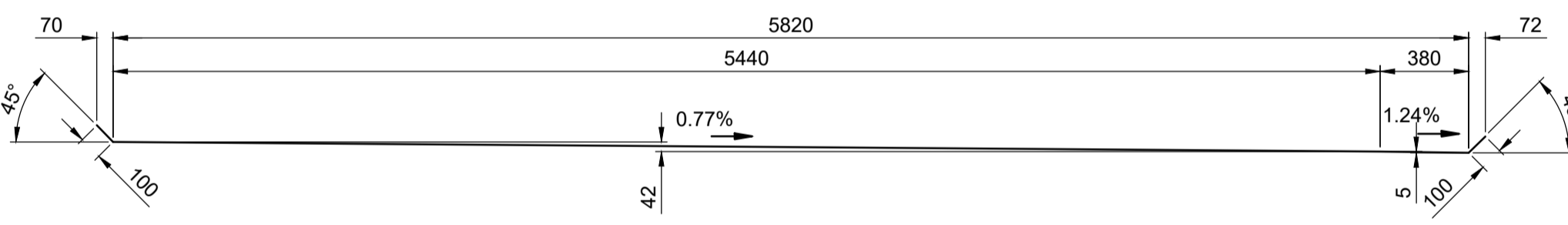
**SU 6 EXPANSION JOINT PLAN**  
SCALE: 1:25



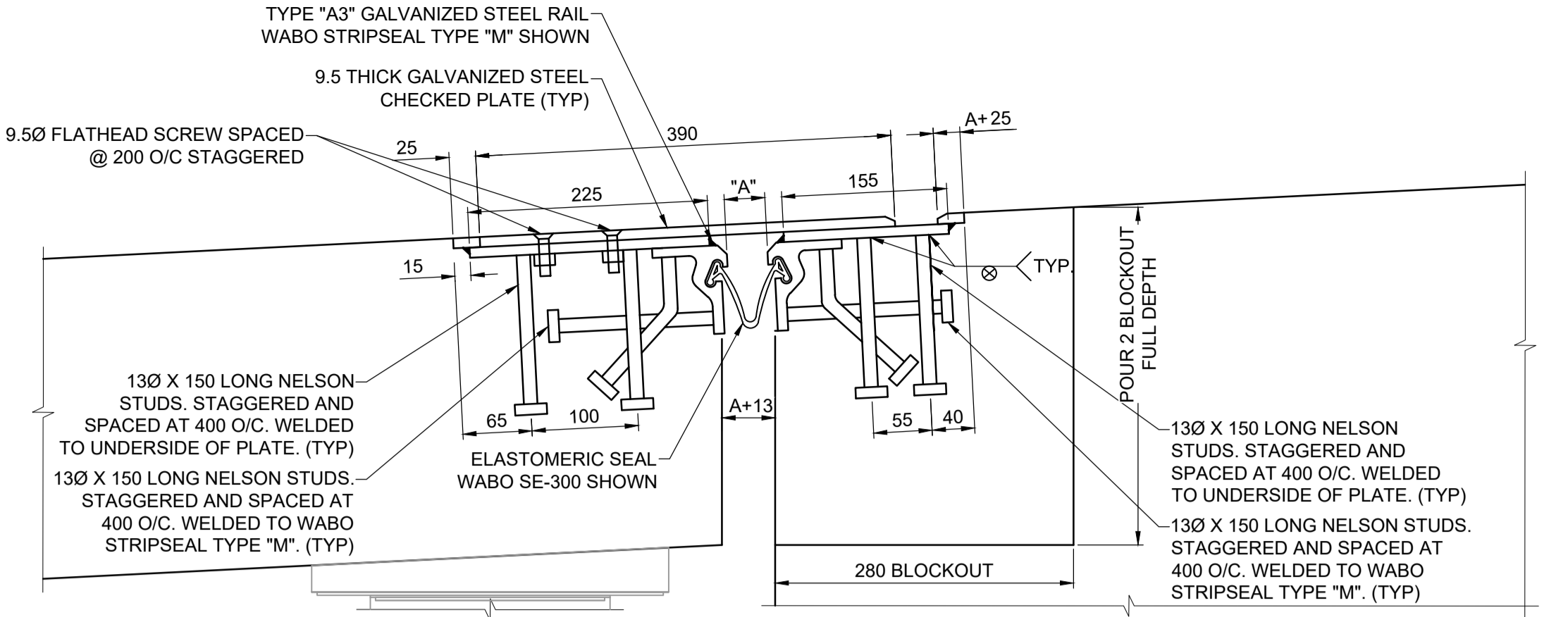
**SU 3 EXPANSION JOINT**  
SCALE: 1:20



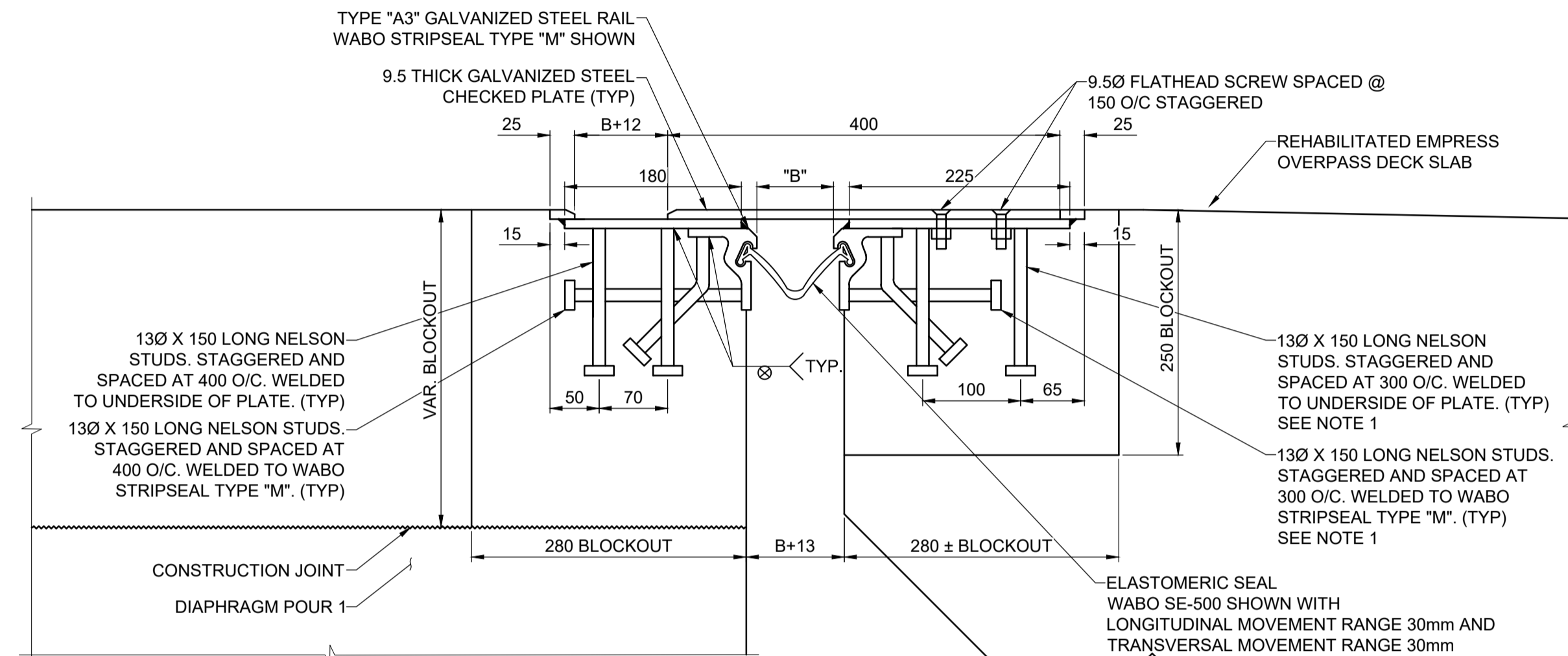
**SU 6 EXPANSION JOINT**  
SCALE: 1:20



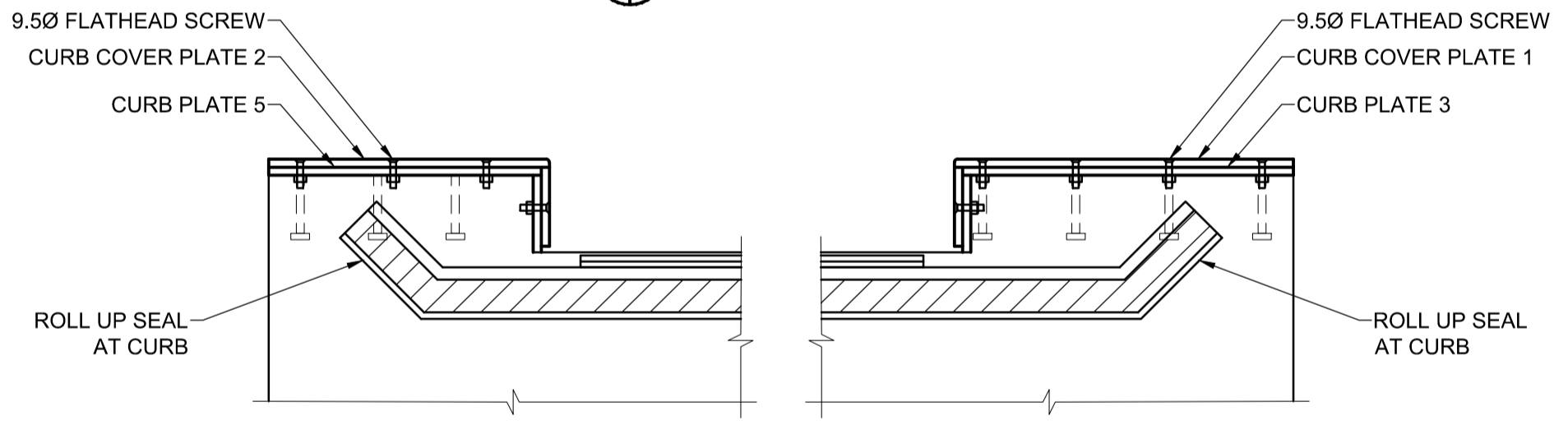
**PROFILE DETAIL - SU 6 EDGE BEAMS**  
SCALE: 1:25



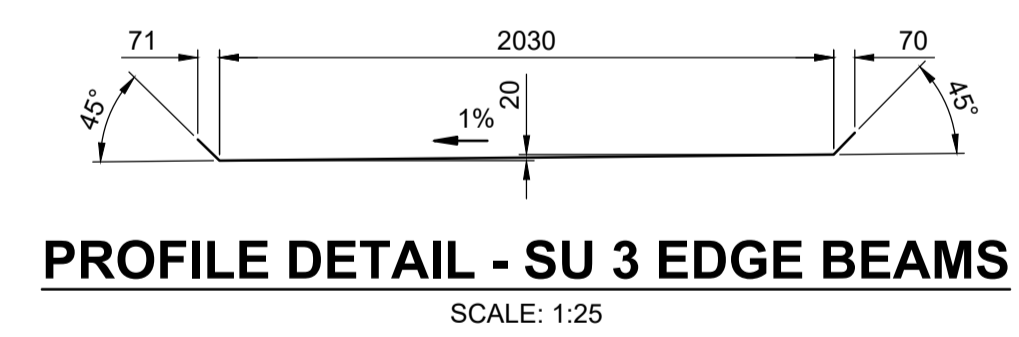
**DETAIL**  
SCALE: 1:5



**DETAIL**  
SCALE: 1:5



**SECTION**  
SCALE: 1:10



**PROFILE DETAIL - SU 3 EDGE BEAMS**  
SCALE: 1:25

TEMPERATURE ADJUSTMENT TABLE							
INSTALLATION TEMPERATURE °C	-5	0	5	10	15	20	25
INSTALLATION GAP WIDTH (A) (SU3)	46	44	43	41	40	38	37
INSTALLATION GAP WIDTH (B) (SU6)	59	58	56	54	53	51	49
INSTALLATION TRANSVERSAL PRESET (SU6)	-1.5	0	1.5	3	4	6	8

BID OPPORTUNITY No. 602-2018

- NOTES:**
- SPACING OF NELSON STUDS TO BE STAGGERED BETWEEN EXISTING REINFORCEMENT BARS TO BE RETAINED. CONTRACTOR TO CONFIRM LOCATIONS OF EXISTING REINFORCEMENT BARS TO BE RETAINED PRIOR TO COMPLETING SHOP DRAWINGS AND FABRICATION OF EXPANSION JOINT.
  - EXISTING TOP MAT REINFORCING TO REMAIN AT NORTH RAMP EXPANSION JOINT BLOCKOUT.

NORTH RAMP TIE-IN DEMOLITION LIMITS		
Location	Northing	Easting
WP17	9035.9917	10806.8382
WP18	9029.5713	10806.6622



**METRIC**  
WHOLE NUMBERS INDICATE MILLIMETRES  
DECIMAL NUMBERS INDICATE METRES

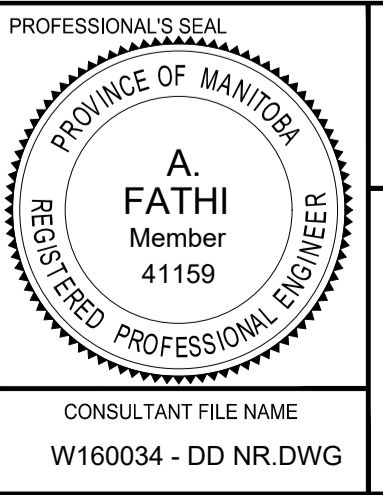
**LOCATION APPROVED**  
UNDERGROUND STRUCTURES

DATE: \_\_\_\_\_

**NOTE:**  
LOCATION OF UNDERGROUND STRUCTURES AS SHOWN ARE BASED ON THE BEST INFORMATION AVAILABLE BUT NO GUARANTEE IS GIVEN THAT ALL EXISTING UTILITIES ARE SHOWN OR THAT THE GIVEN LOCATIONS ARE EXACT. CONFIRMATION OF EXISTENCE AND EXACT LOCATION OF ALL SERVICES MUST BE OBTAINED FROM THE INDIVIDUAL UTILITIES BEFORE PROCEEDING WITH CONSTRUCTION.

No.	REVISIONS	DATE	BY
B	ISSUED FOR TENDER	18/09/04	BAP
A	ISSUED FOR 95% DESIGN REVIEW	18/08/07	BAP

DESIGNED BY	Y.M.	CHECKED BY	A.F.
DRAWN BY	ALP	APPROVED BY	BAP
HOR SCALE	AS SHOWN	RELEASED FOR CONSTRUCTION	N/A
VERT SCALE	AS SHOWN	DATE	



**THE CITY OF WINNIPEG**  
PUBLIC WORKS DEPARTMENT  
ENGINEERING DIVISION

**EMPRESS STREET PROJECT**  
PEDESTRIAN ACCESSIBILITY RAMPS  
NORTH RAMP  
EXPANSION JOINT DETAILS 1

CITY DRAWING NUMBER: P-3494-151  
SHEET 151 OF 168  
DRAWING No. 151 REV B